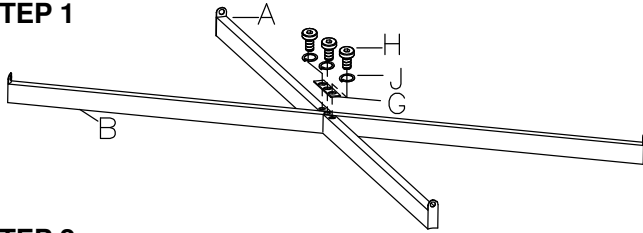
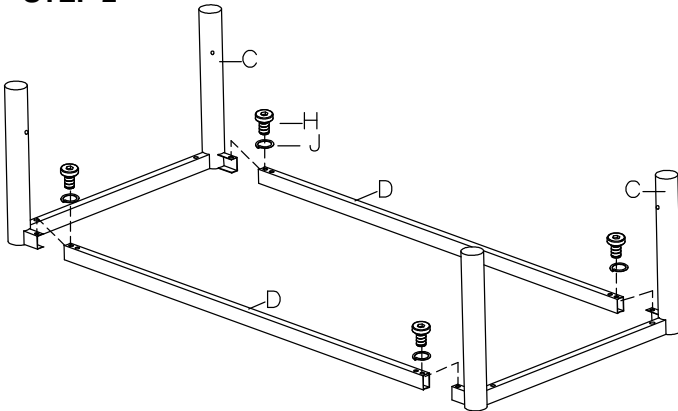


Thank you for purchasing this quality product. Be sure to check all packing material carefully for small part that may have come loose inside the carton during shipment.

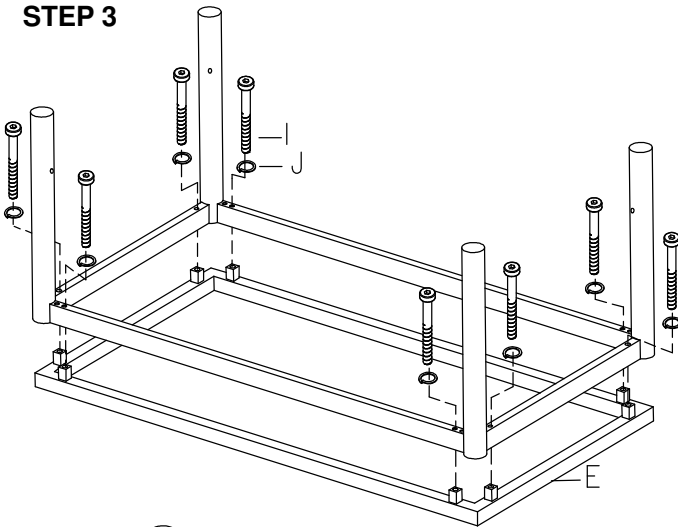
**STEP 1**



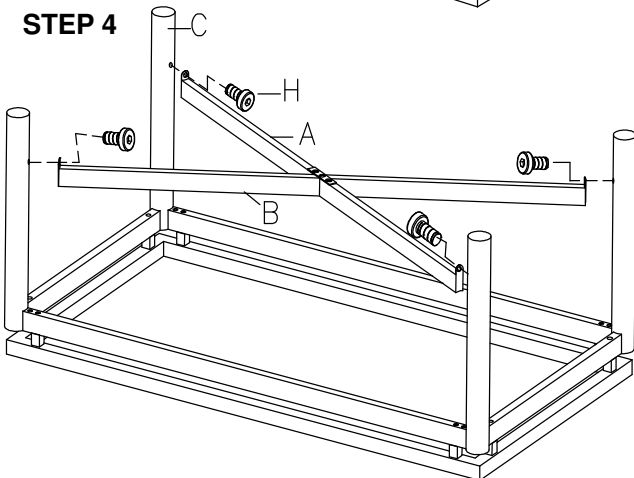
**STEP 2**



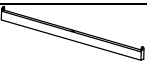






**STEP 3**



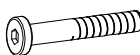
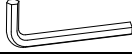
**STEP 4**



**Parts List**

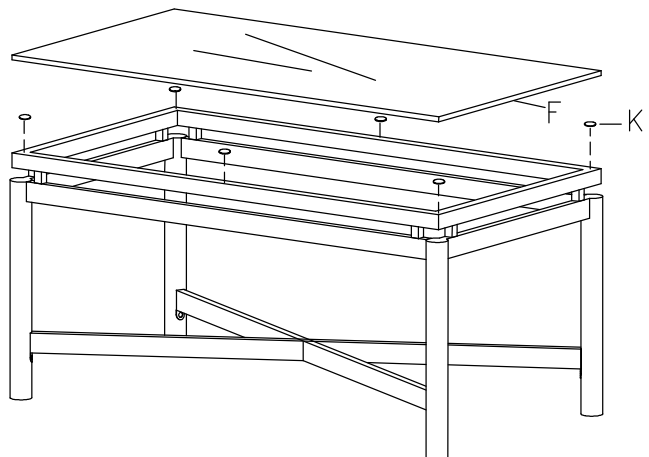
NO	DESCRIPTION	SKETCH	QTY
A	BOTTOM SHORT STRECHER		2PCS
B	BOTTOM LONG STRECHER		1PC
C	LEG FRAME		2PCS
D	TOP RAIL		2PCS
E	METAL FRAME		1PC
F	GLASS TOP		1PC
G	MOUNTING PLATE		1PC

**Hardware List**

NO	DESCRIPTION	SKETCH	QTY
H	BOLT 1/4"x13mm		11PCS
I	BOLT 1/4"x76mm		8PCS
J	SPRING WASHER 1/4"		15PCS
K	GLASS PAD		6PCS
L	ALLEN KEY		1PC
M	STRAIGHT ALLEN KEY 1/4"X4"L		1PC

NOTE: Straight Allen Key (M) is for use with a power drill.

**STEP 5**



**MADE IN TAIWAN**