



Item # : NP600PT
Description: NAPA COUNTER TABLE

Product size : 42" x 72"x 90" x 108" x 36-1/4"H W/Two 18" Leaves

Your furniture purchase is an investment. Here are a few tips to maximize the lifetime of your furniture with a minimum amount of effort. Properly caring for your furniture can help ensure that it looks great year after year.

Wood Furniture Maintenance:

- Always dust, wipe, and clean *with* the grain of the wood.
- Dust with a soft cloth. Dust will scratch the furniture surface if not removed properly.
- Use the same type of polish consistently as interchanging oil-based and wax-based polishes will cause a build-up and result in a foggy or cloudy appearance.
- If a polished surface becomes foggy, rub it with a cloth dipped in a solution of one tablespoon vinegar to one quart of water. Rub softly with the grain until the surface is completely dry.
- Soap and water are not advisable for wood surfaces. Water can penetrate the finish and raise the grain on wood, causing damage.
- Remember to change dusting cloths frequently as dirty cloths may scratch your furniture's surface.

The Enemies of Wood:

- Moisture is wood's worst enemy. Liquid spills should be gently wiped up immediately. Coasters should be used under all beverages.
- Do not allow rubber or vinyl materials to lie on the furniture. Chemicals in rubber may leave a stain. Put a strip of felt or leather under accessories that have rubber or vinyl.
- Heat creates a chemical change in the furniture's finish, which results in a white spot. Use protective pads under hot dishes, appliances, etc.
- Sunlight's ultraviolet rays can damage the finish of furniture. Do not place furniture directly against a heater or radiator and do not place in the path of hot streams of air from central heating. This will cause extreme localized drying of the wood.

High Gloss Resin Table Maintenance:

- Resin tabletops have approximately 1/8" of a resin coat on the top face of the table, which will resist ice, water, wine, liquor, food, cleaning fluids, and warm or hot liquids; however, cups, glasses, etc. containing hot liquids should not be left on the table without a coaster for protection.
- Resin tabletops will scratch just the same as any other glossy surface and basic precautions should be taken.
- For lasting shine, the resin table should be waxed with a car wax that does not contain silicon. Maintaining this wax build-up will result in a high gloss shine.
- When wiping down the table, a soft, clean rag should be used. Do not use a heavy paper.

Granite Top Maintenance:

The surface of the granite on your table has been polished or sealed to create a generally non-porous surface. The stone has many natural characteristics including: veining, hairline cracks, and color variations - which make up the stone's beauty.

To maintain the beauty of your granite:

- Protect surfaces from scratching, staining and etching by:
 - * Keeping them free of debris or sharp objects
 - * Wiping up spills immediately
 - * Avoiding contact with chemicals (particularly acid-based materials)
- Clean with pH neutral products or those especially formulated for use on stone.
- It is not recommended to use a water-based solvent for dark granite as it will remove the polish from the surface.
- After a period of use, apply a penetrating sealer to prevent contaminants from being absorbed into the stone.
- Remove stains with special absorbent poultices formulated for use on stone.
- Renew the surface on polished granite (granite with a high gloss surface) by buffing with special stone polish , powder or cream .

Do not use granite polish on granite with a matte finish, which has been honed rather than polished. (Penetrating sealer may be used on both polished and honed granite.)

Marble Top Maintenance:

Marble may be stone, but it is porous stone and can stain easily. Treating marble surfaces the same as wood surfaces is a great rule of thumb.

- It is recommended to seal the tops on a regular basis (every 6 to 12 months). A good quality stone sealer can be purchased from any tiles/stone store or any homecare store and should be applied according to the manufacturer's recommendation.
- When sealed properly, marble tops can be used indoors and outdoors and can withstand any weather conditions except internal freezing. Snow or freezing rain will penetrate the table and cause cracks.

Caring for the Fabric on Upholstered Furniture:

- Frequent vacuuming of the entire upholstered area will prevent dust from settling into the fibers.
- Professional cleaning is always recommended for all upholstered pieces.
- Always pre-test a small area of fabric in an inconspicuous area when cleaning before proceeding.
- Do not use cleaning products containing brightening agents.

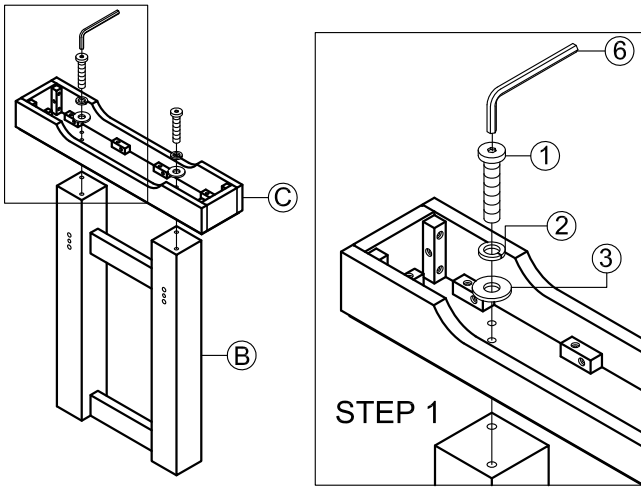
VERY IMPORTANT!!

<p>NEVER USE GLASS CLEANERS ON FINISHED SURFACES. AMMONIA WILL CHEMICALLY ATTACK THE FINISH.</p>	<p>DO NOT WRITE DIRECTLY ON SURFACE </p> <p>PREVENT MARKING</p>	<p>DO NOT PLACE DIRECTLY IN SUNLIGHT </p> <p>PREVENT FADING</p>	<p>DO NOT USE PLACEMATS WITH RUBBER BASES </p> <p>PREVENT DISCOLORING</p>
<p>NEVER ALLOW LIQUIDS OF ANY KIND TO LINGER ON SURFACES. ABSORPTION CAUSES THE WOOD TO WARP AND THE FINISH TO DE-LAMINATE.</p>	<p>DO NOT USE COMMERCIAL POLISHES AND WAXES </p> <p>PREVENT YELLOWING</p>	<p>DO NOT PLACE HOT POTS, ETC. ON SURFACE </p> <p>PREVENT DAMAGE TO FINISH!</p>	<p>REGULATE THE HUMIDITY CONDITIONS AT YOUR HOME </p> <p>PREVENT SPLITTING</p>

NP600PT ASSEMBLY INSTRUCTIONS

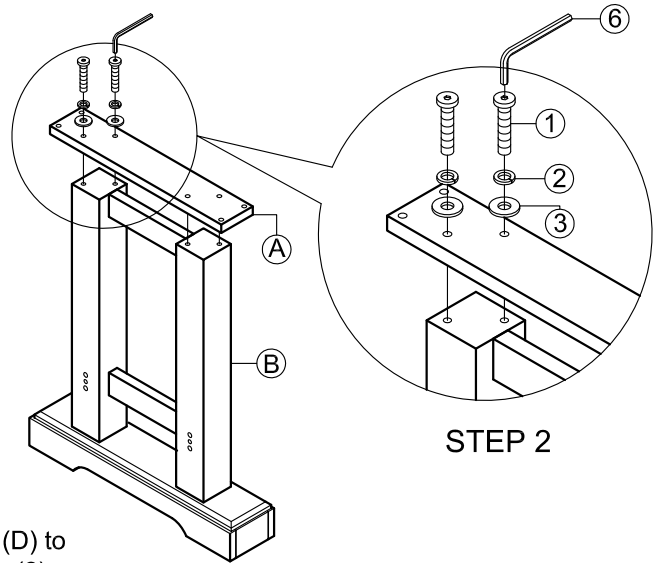
STEP 1

Attach Leg (C) to the Post (B), insert Large Flat Washer (3), Lock Washer (2), Short Bolt (1) and tighten by Allen Key (6) as picture shown.



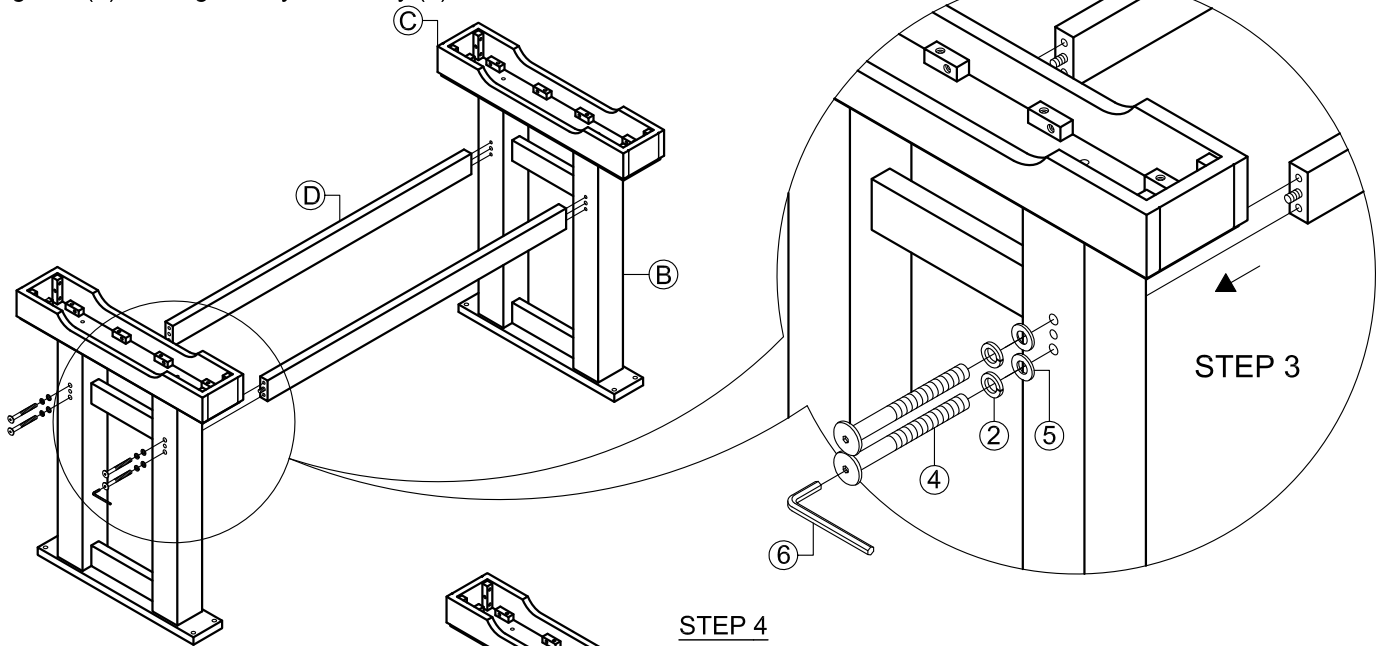
STEP 2

Attach Mounting Plate (A) to the Post (B), insert Large Flat Washer (3), Lock Washer (2), Short Bolt (1), and tighten by Allen Key (6).



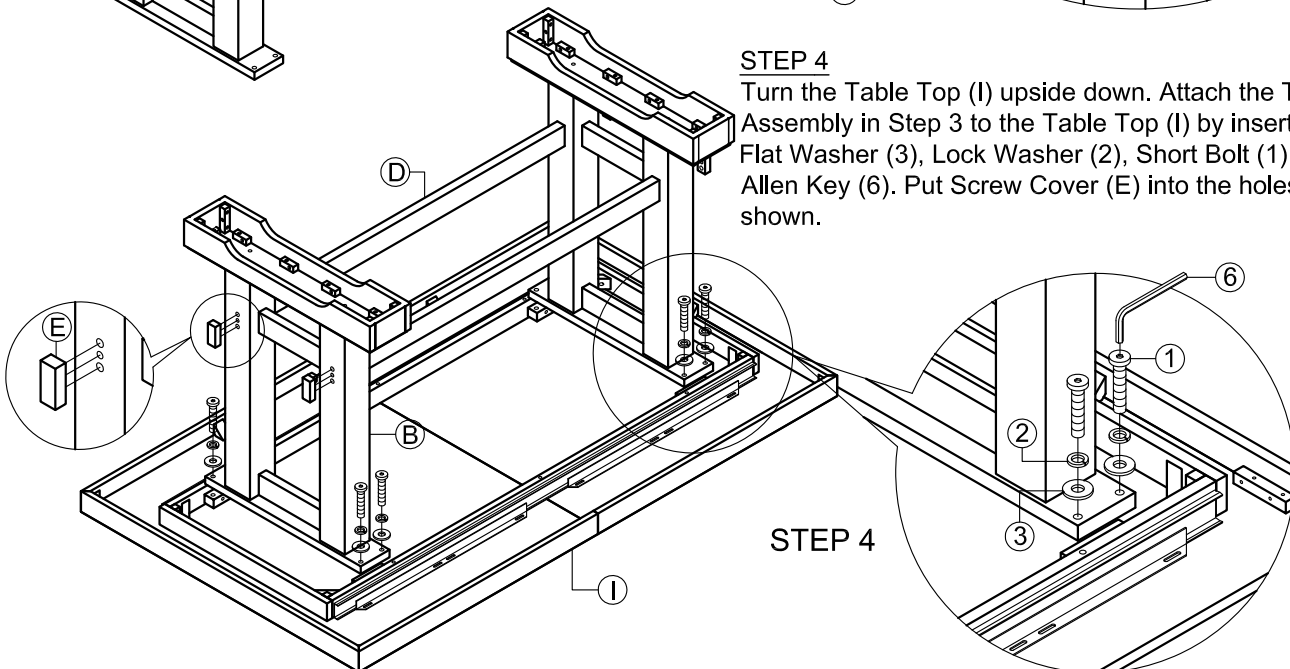
STEP 3

Turn the Post Assembly in Step 2 upside down. Attach Bottom Rail (D) to the Post Assembly by inserting Small Flat Washer (5), Lock Washer (2), Long Bolt (4), and tighten by Allen Key (6).



STEP 4

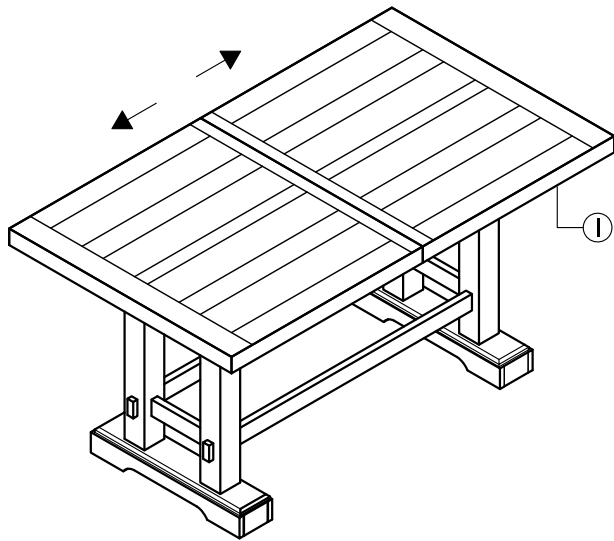
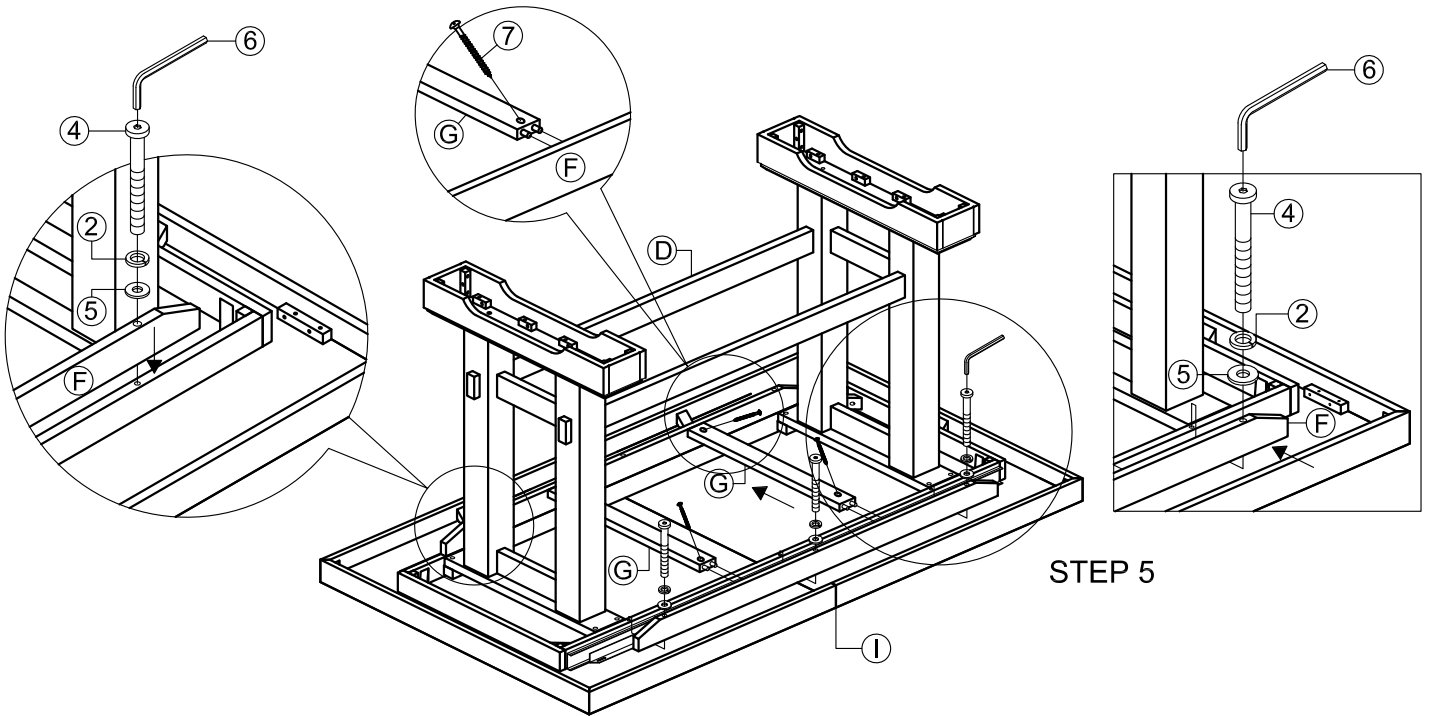
Turn the Table Top (I) upside down. Attach the Table Base Assembly in Step 3 to the Table Top (I) by inserting Large Flat Washer (3), Lock Washer (2), Short Bolt (1), and tighten by Allen Key (6). Put Screw Cover (E) into the holes of the Post as shown.



NP600PT ASSEMBLY INSTRUCTIONS

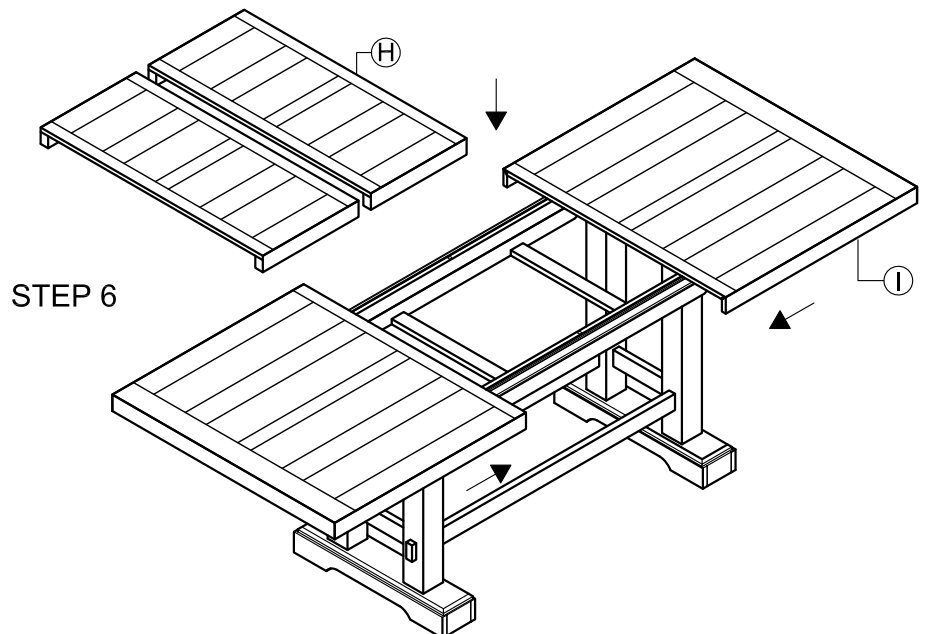
STEP 5

Attach Slide Support Rail (F) to Table Top (A) by using Small Flat Washer (5), Lock Washer (2), Long Bolt (4) as shown below. Fully tighten one side first, then set up Support Panel (G) to the Slide Support Rail (F), tighten the opposite Slide Support Rail (F) and Support Panel (G) to the Slide Support Rail (F) by using Screw (7).

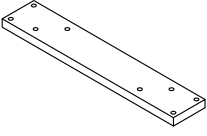
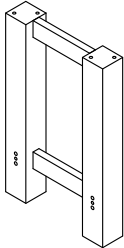
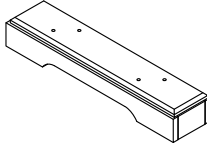
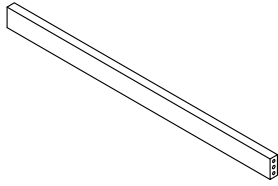
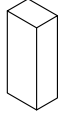
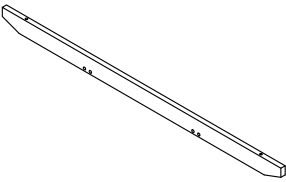
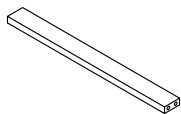
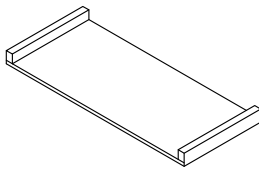
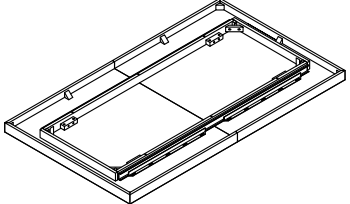


STEP 6

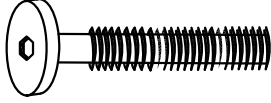
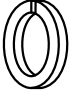

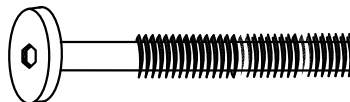



Unlock the Latch under the Table Top (I). Pull from both ends of Table Top (I), place the Table Leaf (H) on the frame of the table and secure the Latch underneath of Table Top (I) as shown.



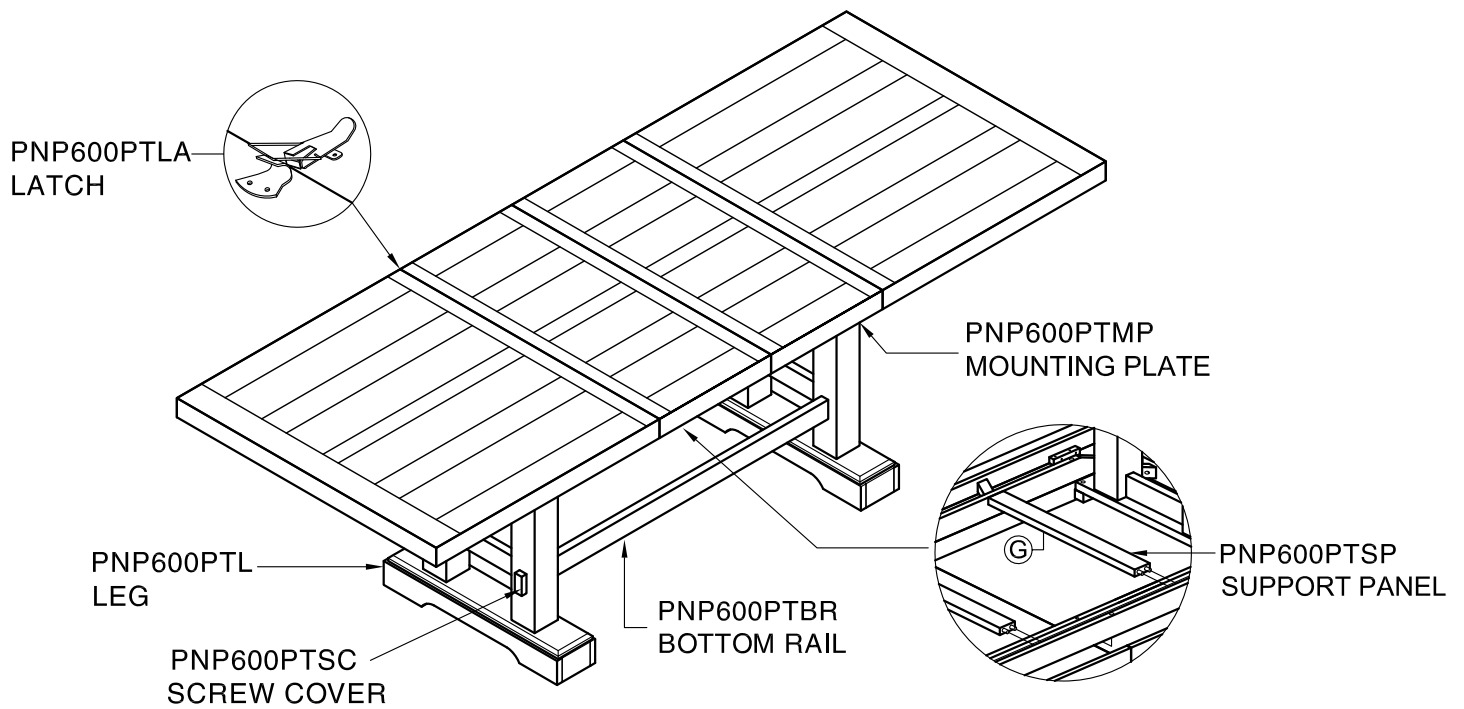
PARTS LIST

(A) Mounting Plate (2Pcs)	(B) Post (2Pcs)	(C) Leg (2Pcs)	(D) Bottom Rail (2Pcs)	(E) Screw Cover (4Pcs)
				
(F) Slide Support Rail (2Pcs)	(G) Support Panel (2Pcs)	(H) Table Leaf (2Pcs)	(I) Table Top (1Pc)	
				

HARDWARE PACK # : PNP600PTH

NO.	DESCRIPTION	DIMENSION	Q'TY
1	SHORT BOLT 	$\phi 5/16"$ x 50mm	24PCS
2	LOCK WASHER 	$\phi 5/16"$ x 12mm	38PCS
3	LARGE FLAT WASHER 	$\phi 5/16"$ x 19mm	24PCS
4	LONG BOLT 	$\phi 1/4"$ x 105mm	14PCS
5	SMALL FLAT WASHER 	$\phi 1/4"$ x 12mm	14PCS
6	ALLEN KEY 	58x 23x 4mm	1PC
7	Screw 	$\phi 8$ x $\phi 4$ x 32mm	4PCS

PARTS FOR NP600PT COMPLETE HARDWARE # : PNP600PTH

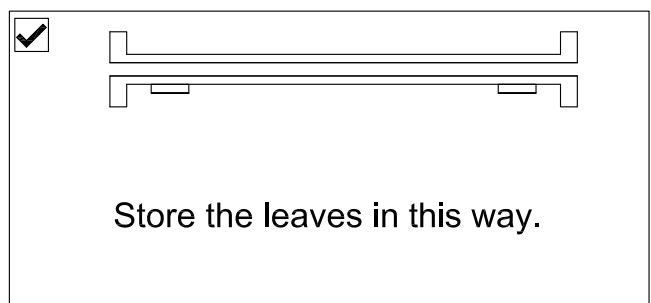
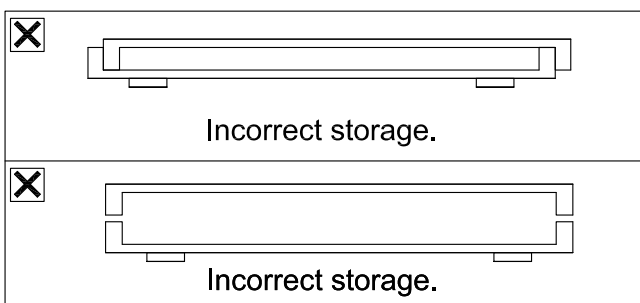
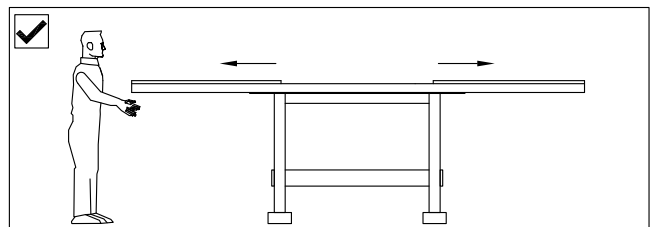
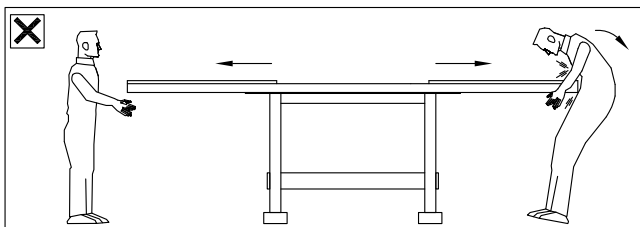


PRODUCT DETAILS	
TOP	MDF+ MANGO VENEER
APRON	MDF+ MANGO VENEER
LEG	MANGO
POST	MANGO
PRODUCT SIZE	42" x 72"x 90" x 108" x 36-1/4"H W/Two 18" Leaves
CARTON SIZE	76" X 46" X 7.7"H
NET WEIGHT	200.2 LBS
GROSS WEIGHT	215.6 LBS
CU.FT.	15.58'

MADE IN VIETNAM

Caution:

Make sure there is no one on the other end of the table when you pull open the table top.





Item # : NP600CC
Description: Napa Counter Chair
Product Size: 19"x 21-1/2"x 42"H

Your furniture purchase is an investment. Here are a few tips to maximize the lifetime of your furniture with a minimum amount of effort. Properly caring for your furniture can help ensure that it looks great year after year.

Wood Furniture Maintenance:

- Always dust, wipe, and clean *with* the grain of the wood.
- Dust with a soft cloth. Dust will scratch the furniture surface if not removed properly.
- Use the same type of polish consistently as interchanging oil-based and wax-based polishes will cause a build-up and result in a foggy or cloudy appearance.
- If a polished surface becomes foggy, rub it with a cloth dipped in a solution of one tablespoon vinegar to one quart of water. Rub softly with the grain until the surface is completely dry.
- Soap and water are not advisable for wood surfaces. Water can penetrate the finish and raise the grain on wood, causing damage.
- Remember to change dusting cloths frequently as dirty cloths may scratch your furniture's surface.

The Enemies of Wood:

- Moisture is wood's worst enemy. Liquid spills should be gently wiped up immediately. Coasters should be used under all beverages.
- Do not allow rubber or vinyl materials to lie on the furniture. Chemicals in rubber may leave a stain. Put a strip of felt or leather under accessories that have rubber or vinyl.
- Heat creates a chemical change in the furniture's finish, which results in a white spot. Use protective pads under hot dishes, appliances, etc.
- Sunlight's ultraviolet rays can damage the finish of furniture. Do not place furniture directly against a heater or radiator and do not place in the path of hot streams of air from central heating. This will cause extreme localized drying of the wood.

High Gloss Resin Table Maintenance:

- Resin tabletops have approximately 1/8" of a resin coat on the top face of the table, which will resist ice, water, wine, liquor, food, cleaning fluids, and warm or hot liquids; however, cups, glasses, etc. containing hot liquids should not be left on the table without a coaster for protection.
- Resin tabletops will scratch just the same as any other glossy surface and basic precautions should be taken.
- For lasting shine, the resin table should be waxed with a car wax that does not contain silicon. Maintaining this wax build-up will result in a high gloss shine.
- When wiping down the table, a soft, clean rag should be used. Do not use a heavy paper.

Granite Top Maintenance:

The surface of the granite on your table has been polished or sealed to create a generally non-porous surface. The stone has many natural characteristics including: veining, hairline cracks, and color variations - which make up the stone's beauty.

To maintain the beauty of your granite:

- Protect surfaces from scratching, staining and etching by:
 - * Keeping them free of debris or sharp objects
 - * Wiping up spills immediately
 - * Avoiding contact with chemicals (particularly acid-based materials)
- Clean with pH neutral products or those especially formulated for use on stone.
- It is not recommended to use a water-based solvent for dark granite as it will remove the polish from the surface.
- After a period of use, apply a penetrating sealer to prevent contaminants from being absorbed into the stone.
- Remove stains with special absorbent poultices formulated for use on stone.
- Renew the surface on polished granite (granite with a high gloss surface) by buffing with special stone polish , powder or cream .

Do not use granite polish on granite with a matte finish, which has been honed rather than polished. (Penetrating sealer may be used on both polished and honed granite.)

Marble Top Maintenance:

Marble may be stone, but it is porous stone and can stain easily. Treating marble surfaces the same as wood surfaces is a great rule of thumb.

- It is recommended to seal the tops on a regular basis (every 6 to 12 months). A good quality stone sealer can be purchased from any tiles/stone store or any homecare store and should be applied according to the manufacturer's recommendation.
- When sealed properly, marble tops can be used indoors and outdoors and can withstand any weather conditions except internal freezing. Snow or freezing rain will penetrate the table and cause cracks.

Caring for the Fabric on Upholstered Furniture:

- Frequent vacuuming of the entire upholstered area will prevent dust from settling into the fibers.
- Professional cleaning is always recommended for all upholstered pieces.
- Always pre-test a small area of fabric in an inconspicuous area when cleaning before proceeding.
- Do not use cleaning products containing brightening agents.

VERY IMPORTANT!!

<p>NEVER USE GLASS CLEANERS ON FINISHED SURFACES. AMMONIA WILL CHEMICALLY ATTACK THE FINISH.</p>	<p>DO NOT WRITE DIRECTLY ON SURFACE </p> <p>PREVENT MARKING</p>	<p>DO NOT PLACE DIRECTLY IN SUNLIGHT </p> <p>PREVENT FADING</p>	<p>DO NOT USE PLACEMATS WITH RUBBER BASES </p> <p>PREVENT DISCOLORING</p>
<p>NEVER ALLOW LIQUIDS OF ANY KIND TO LINGER ON SURFACES. ABSORPTION CAUSES THE WOOD TO WARP AND THE FINISH TO DE-LAMINATE.</p>	<p>DO NOT USE COMMERCIAL POLISHES AND WAXES </p> <p>PREVENT YELLOWING</p>	<p>DO NOT PLACE HOT POTS, ETC. ON SURFACE </p> <p>PREVENT DAMAGE TO FINISH!</p>	<p>REGULATE THE HUMIDITY CONDITIONS AT YOUR HOME </p> <p>PREVENT SPLITTING</p>

NP600CC ASSEMBLY INSTRUCTIONS

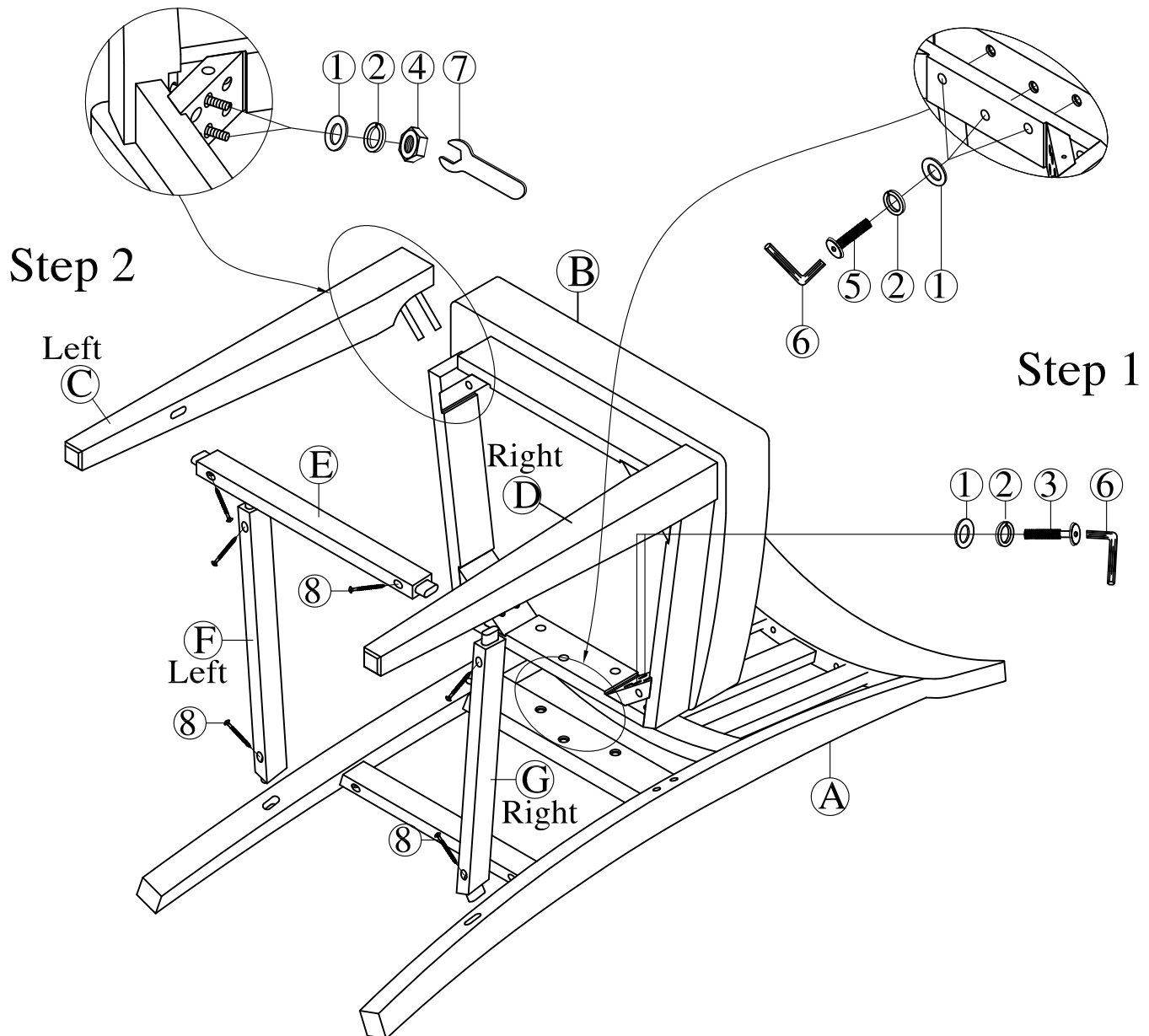
DO NOT TIGHTEN BOLTS UNTIL TABLE IS COMPLETELY ASSEMBLED.

STEP 1:

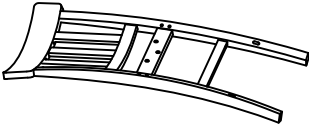
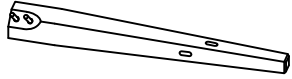
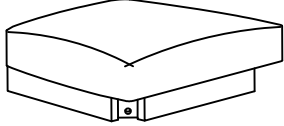

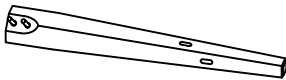


Turn the Chair Back (A) on the floor. Insert Flat Washer (1), Lock Washer (2), and Long Bolt (3) into the holes at corner of Seat Box w/ Seat Cushion (B). Attach Flat Washer (1), Lock Washer (2), and Short Bolt (5) into the holes at the rear bar of seat frame. Tighten with Allen Key (6). Do not fully tighten all bolts at this stage.

STEP 2:


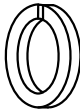
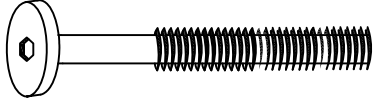
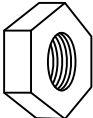
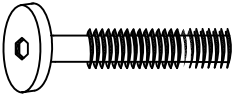
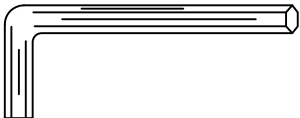
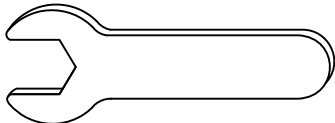

Insert LSF/RSF Stretcher (F,G) to the Chair Back (A) by using Wood Screw (8), and secure with a Philip-head screwdriver (not provided). Attach LSF/RSF Front Leg (C,D) to the Seat Box w/ Seat Cushion (B) by inserting Flat Washer (1), Lock Washer (2), Hex Nut (4) through bolts, and secure with Wrench (7). Attach Front Stretcher (E) and the LSF/RSF Stretcher (F,G) to the LSF/RSF Front Leg (C,D) by using Wood Screw (8), and tighten with a Philip-head screwdriver (not provided). Now fully tighten all bolts.



PARTS LIST

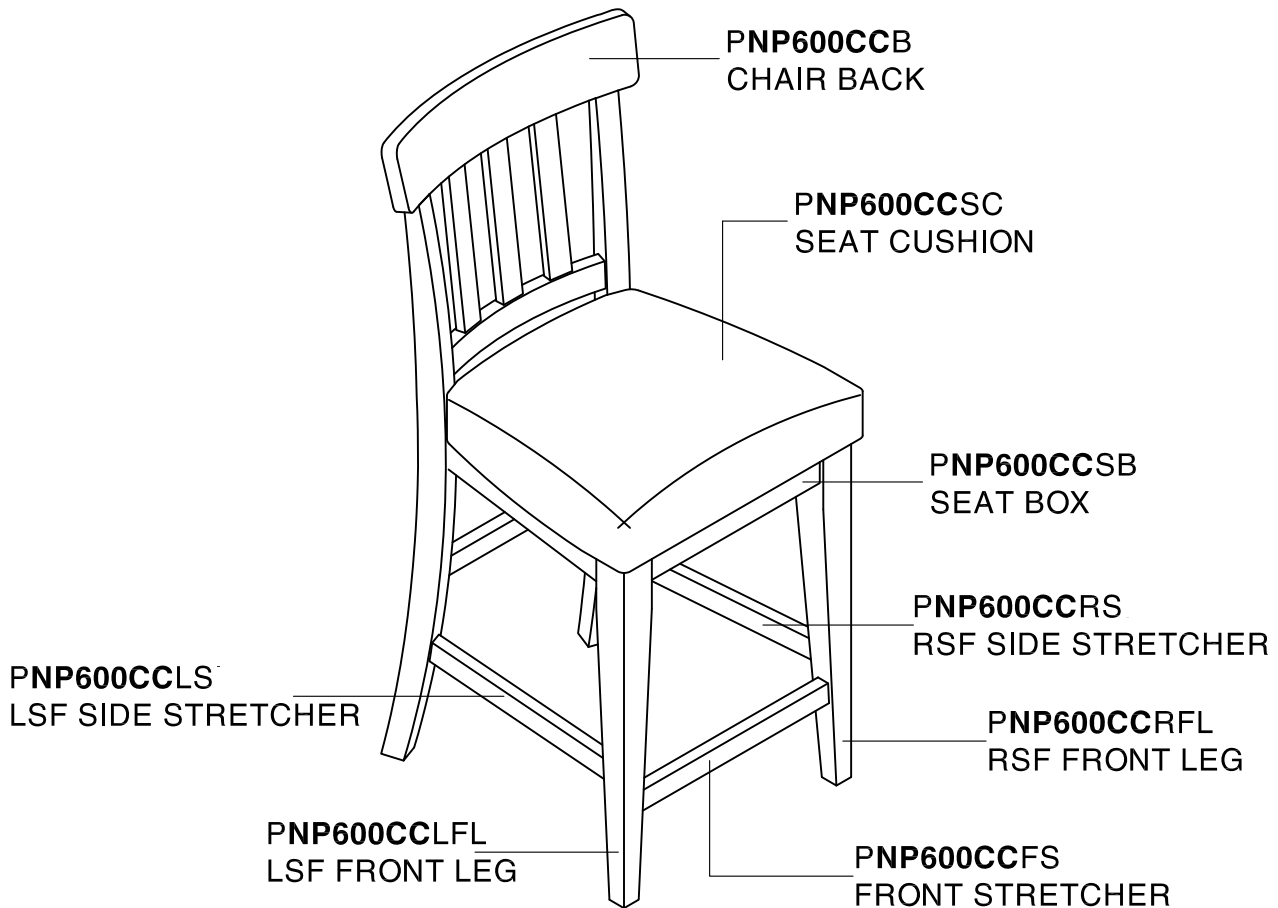
A	CHAIR BACK (1PC)		D	RSF FRONT LEG (1PC)	
B	SEAT BOX w/ SEAT CUSHION (1PC)		E	FRONT STRETCHER (1PC)	
C	LSF FRONT LEG (1PC)		F	LSF STRETCHER (1PC)	
			G	RSF STRETCHER (1PC)	

HARDWARE PACK # : PNP600CCH

NO.	DESCRIPTION	DIMENSION	Q'TY	
1	FLAT WASHER		Ø5/16" x 19mm	11pcs
2	LOCK WASHER		Ø5/16" x 12mm	11pcs
3	LONG BOLT		Ø1/4" x 85	4pcs
4	HEX NUT		Ø5/16" x 12	4pcs
5	SHORT BOLT		Ø1/4" x 38	3pcs
6	ALLEN KEY		NO.4	1pc
7	WRENCH		NO.12	1pc
8	WOOD SCREW		Ø8 x 50	6pcs

PARTS FOR NP600CC

COMPLETE HARDWARE # : PNP600CCH



PRODUCT DETAILS	
SEAT BOX	RUBBER WOOD
CHAIR BACK	RUBBER WOOD & BENTWOOD
LEG	RUBBER WOOD
PRODUCT SIZE	19"x 21.5"x 42"H
CARTON SIZE	43.9" x 20.5" x 12.4"H
NET WEIGHT	44 LBS/ 2PCS
GROSS WEIGHT	50.6 LBS/ 2PCS
CU.FT.	6.46'

MADE IN VIETNAM

Steve Silver Company Dining Chairs - Assembly Troubleshooting Guide

The most important element of correct chair assembly is to tighten the bolts as directed. Prematurely tightening the bolts can lead to numerous issues and will lengthen the assembly time. Listed below are the most common issues in chair assembly and their easy solutions.

PROBLEM: Chair is unlevel.

Cause 1:

Unlevel chairs can occur if the bolts are fully tightened before all bolts are attached. There is a variance in the alignment of this chair to allow the chair to be assembled more easily.

Solution:

Loosen each bolt in the seat box (front legs, back corner blocks and back apron) until they are finger tight. Place the chair upright on the floor. Sit in the chair for about 30 seconds. Carefully turn the chair upside down and tighten each bolt. The chair will now be level.

Cause 2:

Unlevel chairs can occur if one or more of the floor glides are missing from the bottom of the chair leg.

Solution:

Request a set of floor glides from the e-mail address below.
AR@ssilver.com

PROBLEM: Bolts do not fit properly.

Cause:

This issue can occur when the bolts are tightened fully before all bolts are attached. There is a variance in the alignment of the bolts to allow the chair to be assembled more easily. Tightening the bolts prematurely can cause the holes for the other bolts to become slightly misaligned, causing the remaining bolts not to fit properly.

Solution:

Make sure each bolt in the seat box (front legs, back corner blocks and back apron) is loosened until finger tight. This will allow you to realign the holes, and the bolts will now fit properly.

Questions?

Please call us at 1 800 344 7278, and we will be happy to help you.