



Item #: MI500S

Description: MILA SIDE CHAIR

Product Size: 21." x 24.5" x 36"H

Your furniture purchase is an investment. Here are a few tips to maximize the lifetime of your furniture with a minimum amount of effort. Properly caring for your furniture can help ensure that it looks great year after year.

Wood Furniture Maintenance:

- Always dust, wipe, and clean *with* the grain of the wood.
- Dust with a soft cloth. Dust will scratch the furniture surface if not removed properly.
- Use the same type of polish consistently as interchanging oil-based and wax-based polishes will cause a build-up and result in a foggy or cloudy appearance.
- If a polished surface becomes foggy, rub it with a cloth dipped in a solution of one tablespoon vinegar to one quart of water. Rub softly with the grain until the surface is completely dry.
- Soap and water are not advisable for wood surfaces. Water can penetrate the finish and raise the grain on wood, causing damage.
- Remember to change dusting cloths frequently as dirty cloths may scratch your furniture's surface

The Enemies of Wood:

- Moisture is wood's worst enemy. Liquid spills should be gently wiped up immediately. Coasters should be used under all beverages.
 - Do not allow rubber or vinyl materials to lie on the furniture. Chemicals in rubber may leave a stain. Put a strip of felt or leather under accessories that have rubber or vinyl.
- Heat creates a chemical change in the furniture's finish, which results in a white spot. Use protective pads under hot dishes, appliances, etc.
- Sunlight's ultraviolet rays can damage the finish of furniture. Do not place furniture directly against a heater or radiator and do not place in the path of hot streams of air from central heating. This will cause extreme localized drying of the wood.

High Gloss Resin Table Maintenance:

- Resin tabletops have approximately 1/8" of a resin coat on the top face of the table, which will resist ice, water, wine, liquor, food, cleaning fluids, and warm or hot liquids; however, cups, glasses, etc. containing hot liquids should not be left on the table without a coaster for protection.
- Resin tabletops will scratch just the same as any other glossy surface and basic precautions should be taken.
- For lasting shine, the resin table should be waxed with a car wax that does not contain silicon. Maintaining this wax build-up will result in a high gloss shine.
- When wiping down the table, a soft, clean rag should be used. Do not use a heavy paper.

Granite Top Maintenance:

The surface of the granite on your table has been polished or sealed to create a generally non-porous surface. The stone has many natural characteristics including: veining, hairline cracks, and color variations - which make up the stone's beauty.

To maintain the beauty of your granite:

- Protect surfaces from scratching, staining and etching by:
 - * Keeping them free of debris or sharp objects
 - * Wiping up spills immediately
 - * Avoiding contact with chemicals (particularly acid-based materials)
- Clean with pH neutral products or those especially formulated for use on stone
- It is not recommended to use a water-based solvent for dark granite as it will remove the polish from the surface. Absorbed into the stone.
- After a period of use, apply a penetrating sealer to prevent contaminants from being
 - Remove stains with special absorbent poultices formulated for use on stone.
- Renew the surface on polished granite (granite with a high gloss surface) by buffing with special stone polish, powder or cream.
 - Do not use granite polish on granite with a matte finish, which has been honed rather than polished. (Penetrating sealer may be used on both polished and honed granite.)

Marble Top Maintenance:

- Marble may be stone, but it is porous stone and can stain easily. Treating marble surfaces the same as wood surfaces is a great rule of thumb.
- It is recommended to seal the tops on a regular basis (every 6 to 12 months). A good quality stone sealer can be purchased from any tiles / stone store or any homecare store and should be applied according to the manufacturer's recommendation.
- When sealed properly, marble tops can be used indoors and outdoors and can withstand any weather conditions except internal freezing. Snow or freezing rain will penetrate the table and cause cracks.

Caring for the Fabric on Upholstered Furniture:

- Frequent vacuuming of the entire upholstered area will prevent dust from settling into the fibers.
- Professional cleaning is always recommended for all upholstered pieces.
- Always pre-test a small area of fabric in an inconspicuous area when cleaning before proceeding.
- Do not use cleaning products containing brightening agents.

VERY IMPORTANT!!

NEVER
USE GLASS CLEANERS
ON FINISHED SURFACES.
AMMONIA WILL
CHEMICALLY ATTACK
THE FINISH.

DO NOT
WRITE
DIRECTLY
ON
SURFACE



**PREVENT
MARKING**

DO NOT
PLACE
DIRECTLY
IN
SUNLIGHT



**PREVENT
FADING**

DO NOT
USE
PLACEMATS
WITH
RUBBER
BASES



**PREVENT
DISCOLORING**

NEVER
ALLOW LIQUIDS OF ANY
KIND TO LINGER ON
SURFACES. ABSORPTION
CAUSES THE WOOD TO
WARP AND THE FINISH
TO DE-LAMINATE.

DO NOT USE
COMMERCIAL
POLISHES
AND WAXES



**PREVENT
YELLOWING**

DO NOT
PLACE HOT
POTS, ETC.
ON
SURFACE



**PREVENT
DAMAGE TO
FINISH!**

REGULATE
THE
HUMIDITY
CONDITIONS
AT YOUR
HOME

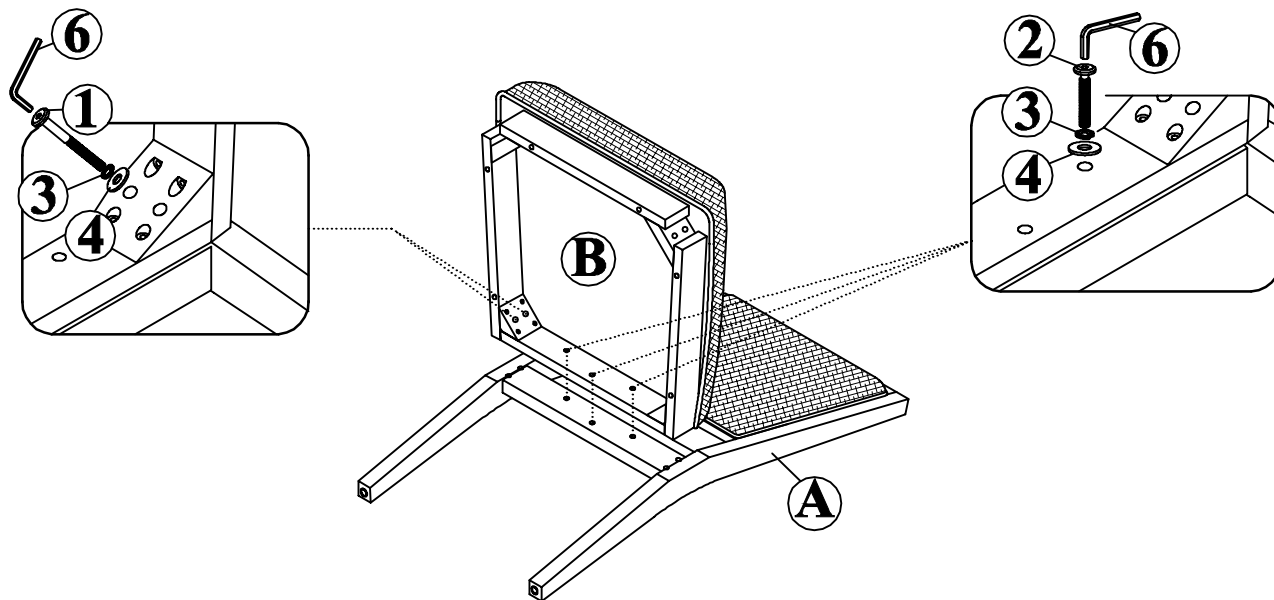


**PREVENT
SPLITTING**

MI500S ASSEMBLY INSTRUCTIONS

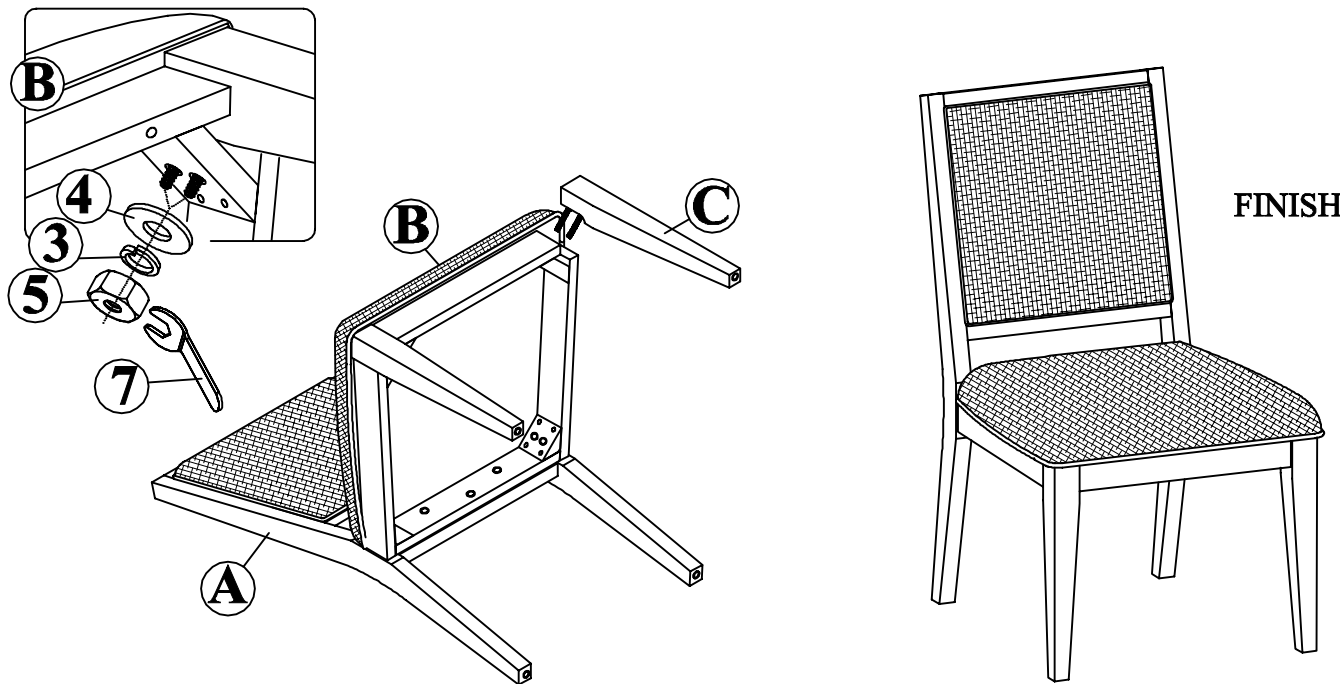
DO NOT FULLY TIGHTEN ALL HEX NUTS AND BOLTS UNTIL THE ENTIRE UNIT IS COMPLETELY ASSEMBLED

STEP 1:



Step 1: Place the Chair Back (A) on the floor. Attach Seat Box w/Seat Cushion (B) to Chair Back (A) by inserting Flat Washer (4), Lock Washer (3), Long Bolt (1) into the holes at the corner block of the Seat Box w/Seat Cushion (B). Insert Flat Washer (4), Lock Washer (3), Short Bolt (2) into the rear bar of the seat frame. Secure by Allen Key (6). Do not fully tighten.

STEP 2:



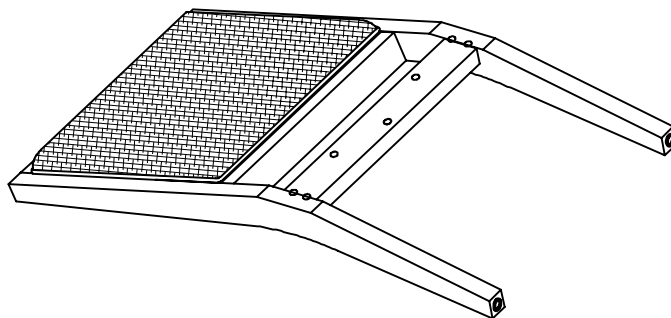
Step 2: Attach Front Leg (C) to the Seat Box w/Seat Cushion (B) by inserting Big Flat Washer (4), Lock washer (3), Hex Nut (5) and secure with Wrench (7). Do not fully tighten.

Turn the chair to upright position and place the chair on flat surface and adjust chair legs until level and does not wobble. Fully tighten all Bolts and Hex Nuts at this time.

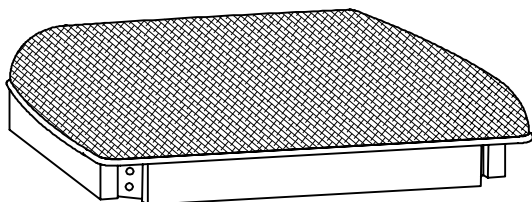
Assembly of product is now completed.

PART LIST

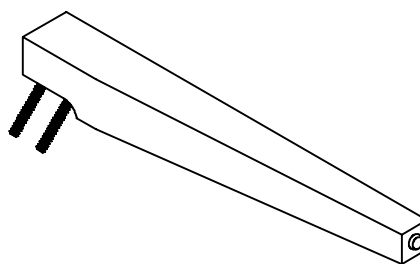
**(A) CHAIR BACK
(1PC)**







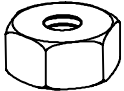

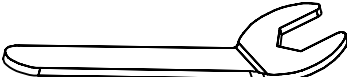
**(B) SEAT BOX W/SEAT CUSHION
(1PC)**



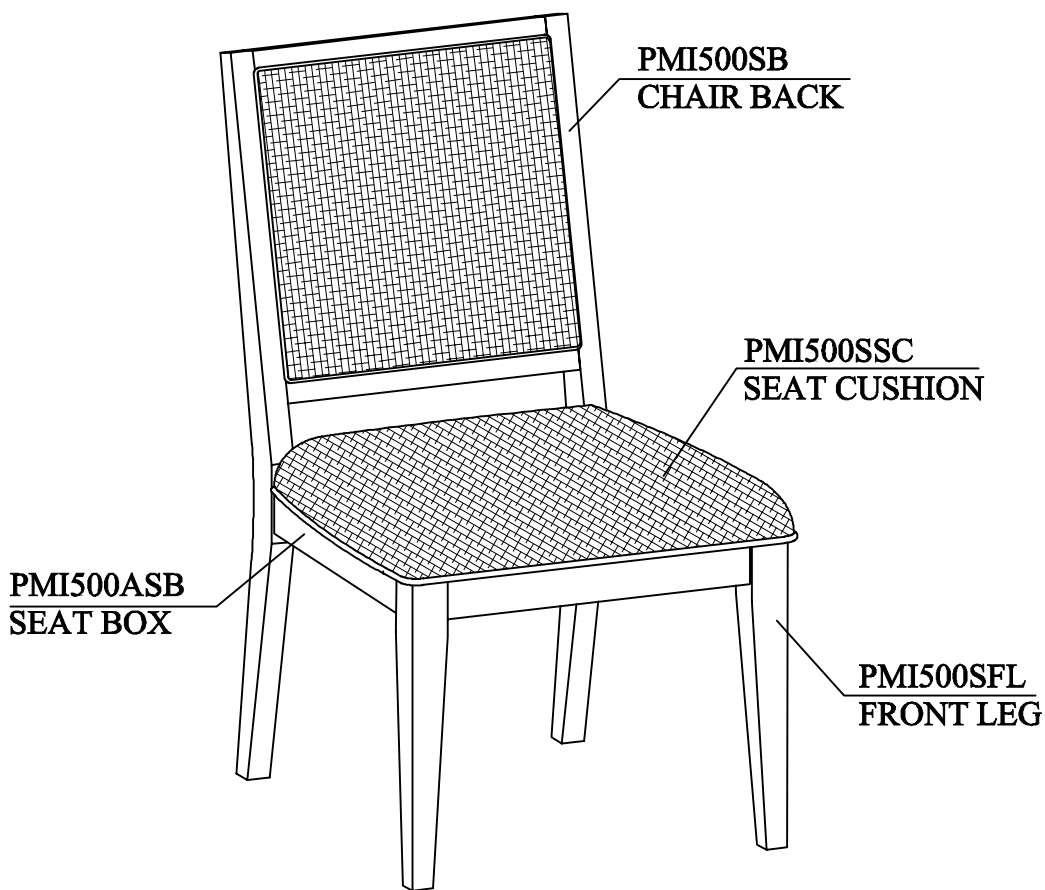
**(C) FRONT LEG
(2PCS)**



HARDWARE PACK # : PMI500SH

NO.	DESCRIPTION		DIMENSION	Q'TY
1	Long Bolt		$\text{Ø} \frac{1}{4}'' \times 75 \text{ mm}$	4 pcs
2	Short Bolt		$\text{Ø} \frac{1}{4}'' \times 40 \text{ mm}$	3 pcs
3	Lock Washer		$\text{Ø} \frac{5}{16}'' \times 13 \text{ mm}$	11 pcs
4	Flat Washer		$\text{Ø} \frac{5}{16}'' \times 19 \text{ mm}$	11 pcs
5	Hex Nut		$\text{Ø} \frac{5}{16}'' \times 12 \text{ mm}$	4 pcs
6	Allen Key		4 mm	1 pc
7	Wrench		12 mm	1 pc

**PARTS FOR MI500S
COMPLETE HARDWARE # : PMI500SH**



FABRIC CONTENT : 100% POLYESTER FIBRE
 This fabric is not machine washable.
 Allow +/- 3% residual shrinkage.
 Do not use cleaning products containing brightening agents.

PRODUCT DETAILS	
CHAIR BACK	RUBBER WOOD/ MANGO WOOD/ ACACIA WOOD/ PLYWOOD
SEAT BOX	RUBBER WOOD/ ACACIA WOOD
FRONT LEG	ACACIA WOOD
PRODUCT SIZE	21" x 24.5" x 36" H
CARTON SIZE	38.98" x 22.83" x 14.17"H
NET WEIGHT	37.4 LBS / 2PCS
GROSS WEIGHT	44 LBS / 2PCS
CU.FT.	7.30' / 2PCS

MADE IN VIETNAM

Steve Silver Company Dining Chairs

- Assembly Troubleshooting Guide

The most important element of correct chair assembly is to tighten the bolts as directed. Prematurely tightening the bolts can lead to numerous issues and will lengthen the assembly time. Listed below are the most common issues in chair assembly and their easy solutions.

PROBLEM: Chair is unlevel.

Cause 1:

Unlevel chairs can occur if the bolts are fully tightened before all bolts are attached. There is a variance in the alignment of this chair to allow the chair to be assembled more easily.

Solution:

Loosen each bolt in the seat box (front legs, back corner blocks and back apron) until they are finger tight. Place the chair upright on the floor. Sit in the chair for about 30 seconds. Carefully turn the chair upside down and tighten each bolt. The chair will now be level.

Cause 2:

Unlevel chairs can occur if one or more of the floor glides are missing from the bottom of the chair leg.

Solution:

Request a set of floor glides from the e-mail address below.

AR@ssilver.com

PROBLEM: Bolts do not fit properly.

Cause:

This issue can occur when the bolts are tightened fully before all bolts are attached. There is a variance in the alignment of the bolts to allow the chair to be assembled more easily. Tightening the bolts prematurely can cause the holes for the other bolts to become slightly misaligned, causing the remaining bolts not to fit properly.

Solution:

Make sure each bolt in the seat box (front legs, back corner blocks and back apron) is loosened until finger tight. This will allow you to realign the holes, and the bolts will now fit properly.

Questions?

Please call us at 1 800 344 7278, and we will be happy to help you.