



**ITEM#:LK100SV**  
**Larkin Wine Cabinet**  
**33.5"x18"x37"**

Your furniture purchase is an investment. Here are a few tips to maximize the lifetime of your furniture with a minimal amount of effort. Properly caring for your furniture can help ensure that it looks great year after year.

**Wood Furniture Maintenance:**

- Always dust, wipe, and clean with the grain of the wood.
- Dust with a soft cloth. Dust will scratch the furniture surface if not removed properly.
- If a polished surface becomes foggy, rub it with a cloth dipped in a solution of one tablespoon vinegar to one quart of water. Rub softly with the grain until the surface is completely dry.
- Soap and water are not advisable for wood surfaces. Water can penetrate the finish and raise the grain on wood, causing damage.
- Remember to change dusting cloths frequently as dirty cloths may scratch your furniture's surface.

**The Enemies of Wood:**

- Moisture is wood's worst enemy. Liquid spills should be gently wiped up immediately. Coasters should be used under all beverages.
- Do not allow rubber or vinyl materials to lie on the furniture. Chemicals in rubber may leave a stain. Put a strip of felt or leather under accessories that have rubber or vinyl.
- Heat creates a chemical change in the furniture's finish, which result in a white spot. Use protective pads under hot dishes, appliances, etc.
- Sunlight's ultraviolet rays can damage the finish of furniture. Do not place furniture directly against a heater or radiator and do not place in the path of hot streams of air from central heating. This will cause extreme localized drying of the wood.

**Marble Top Maintenance:**

The surface of the marble on your table has been polished and sealed to create a generally non-porous surface. The stone has many natural characteristics including veining, hairline cracks, and color variations, which make up the stone's beauty.

**To maintain the beauty of your marble:**

- Protect surfaces from scratching, staining and etching by:
  - Keeping them free of debris or sharp objects.
  - Wiping up spills immediately
  - Avoiding contact with chemicals (particularly acid-based materials)
- Clean with PH neutral products or those especially formulated for use on stone.
- It is not recommended to use a water-based solvent for dark marble as it will remove the polish from the surface.

**Caring for the Fabric on Upholstered Furniture:**

- Frequent vacuuming of the entire upholstered area will prevent dust from settling into the fibers.
- Professional cleaning is always recommended for all upholstered pieces.
- Do not use cleaning products containing brightening agents.

| <b>VERY IMPORTANT!!</b>  |   |  |   |   |   |
|--|---|--|---|---|---|
| <p><b>NEVER</b><br/>           USE GLASS CLEANERS ON FINISHED SURFACES. AMMONIA WILL CHEMICALLY ATTACK THE FINISH.</p> | <p>DO NOT WRITE DIRECTLY ON SURFACE </p> <p><b>PREVENT MARKING</b></p>                 | <p>DO NOT PLACE DIRECTLY IN SUNLIGHT </p> <p><b>PREVENT FADING</b></p>                 | <p>DO NOT USE PLACEMATS WITH RUBBER BASES </p> <p><b>PREVENT DISCOLORING</b></p> | <p><b>NEVER</b><br/>           ALLOW LIQUIDS OF ANY KIND TO LINGER ON SURFACES. ABSORPTION CAUSES THE WOOD TO WARP AND THE FINISH TO DE-LAMINATE.</p> | <p>DO NOT USE COMMERCIAL POLISHES AND WAXES </p> <p><b>PREVENT YELLOWING</b></p> |
|  | <p>DO NOT PLACE HOT POTS, ETC ON SURFACE </p> <p><b>PREVENT DAMAGE TO FINISH!</b></p> | <p>REGULATE THE HUMIDITY CONDITIONS AT YOUR HOME </p> <p><b>PREVENT SPLITTING</b></p> |   |   |   |

# LK100SV

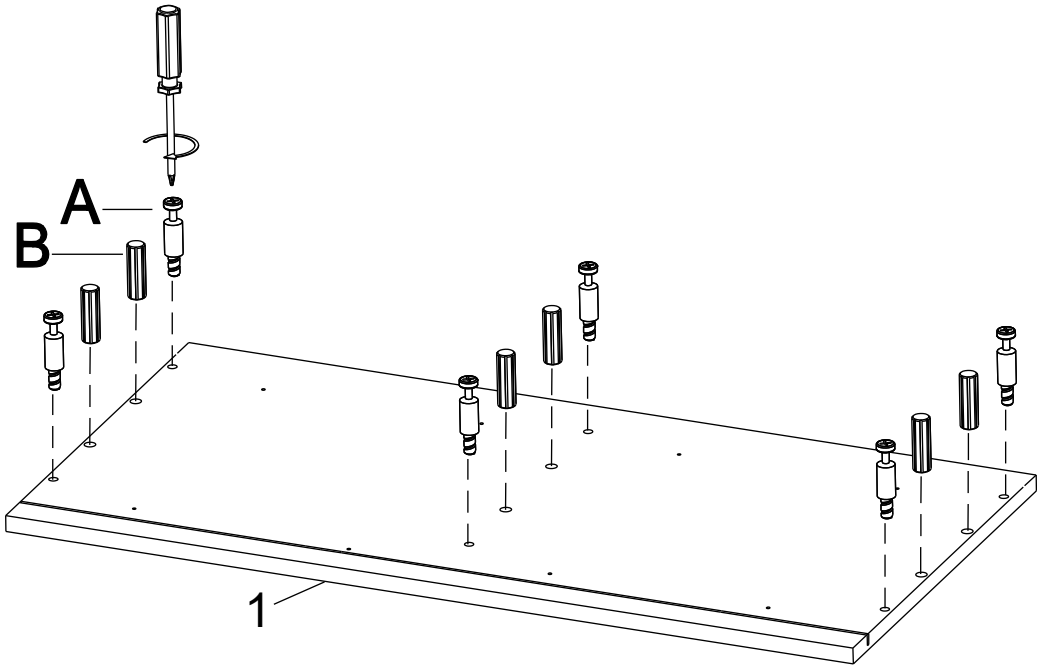
## Assembly Instructions

\*Put all screws in loosely at first.

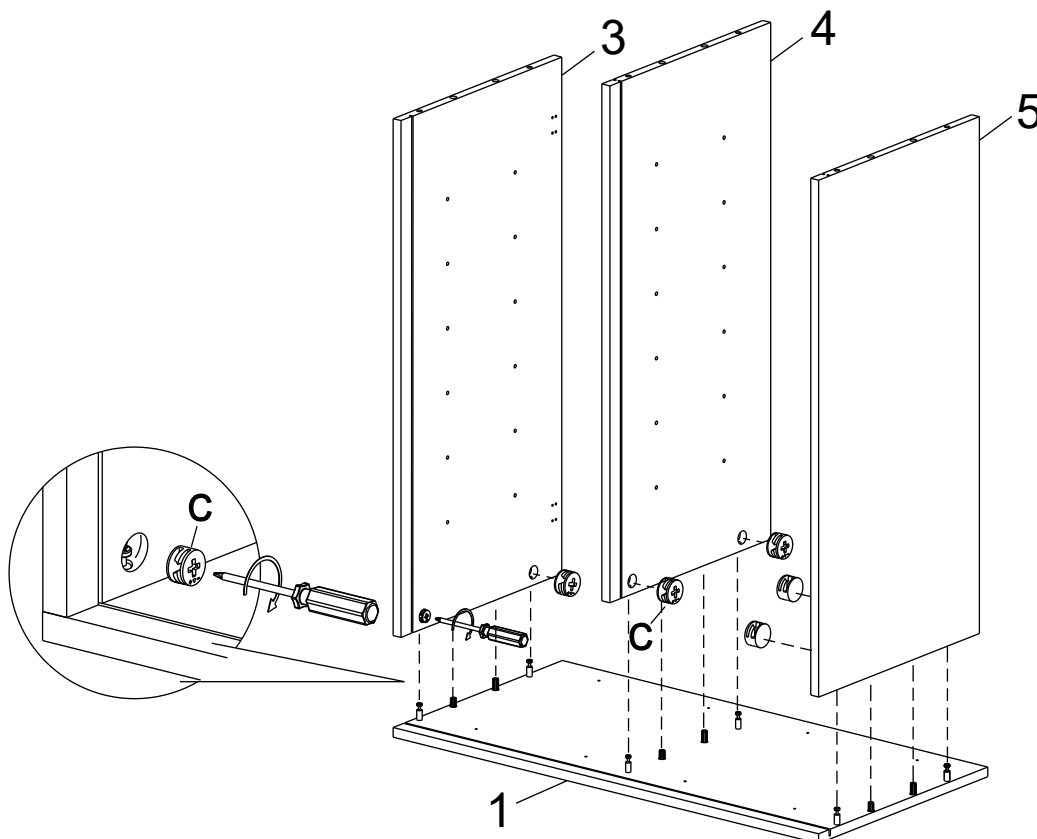
Do not tighten screws & bolts until the entire item is completely assembled.

Note: More than 2 people assemble required

### Step 1



### Step 2



# LK100SV

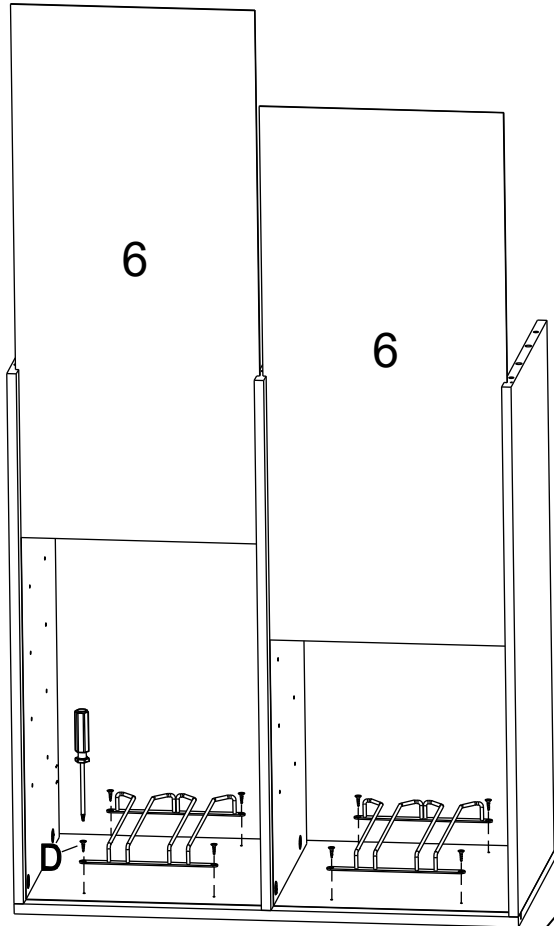
## Assembly Instructions

\*Put all screws in loosely at first.

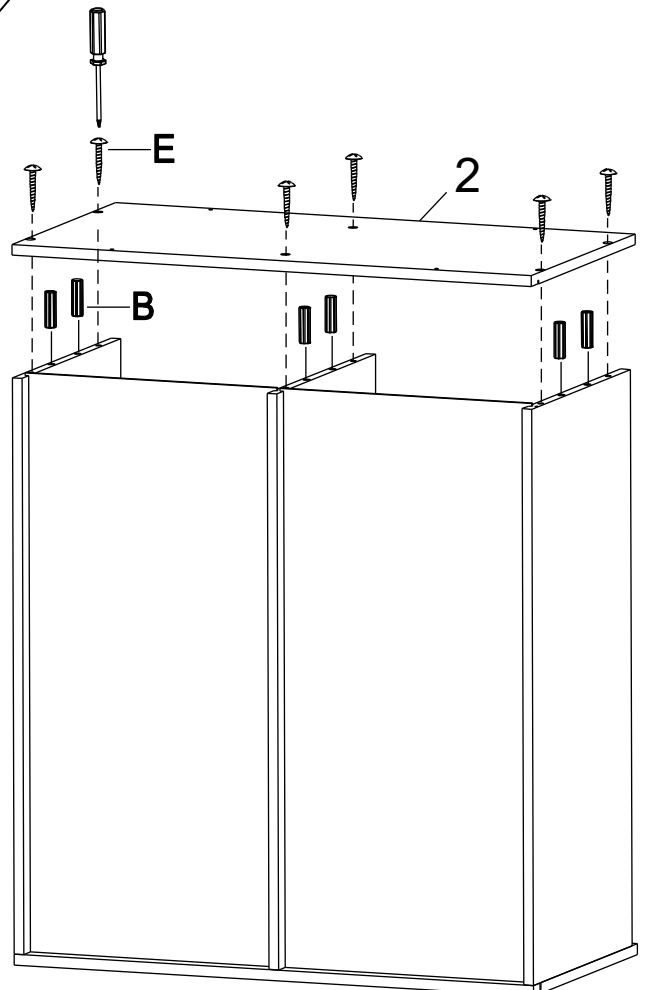
Do not tighten screws & bolts until the entire item is completely assembled.

Note: More than 2 people assemble required

Step 3



Step 4



# LK100SV

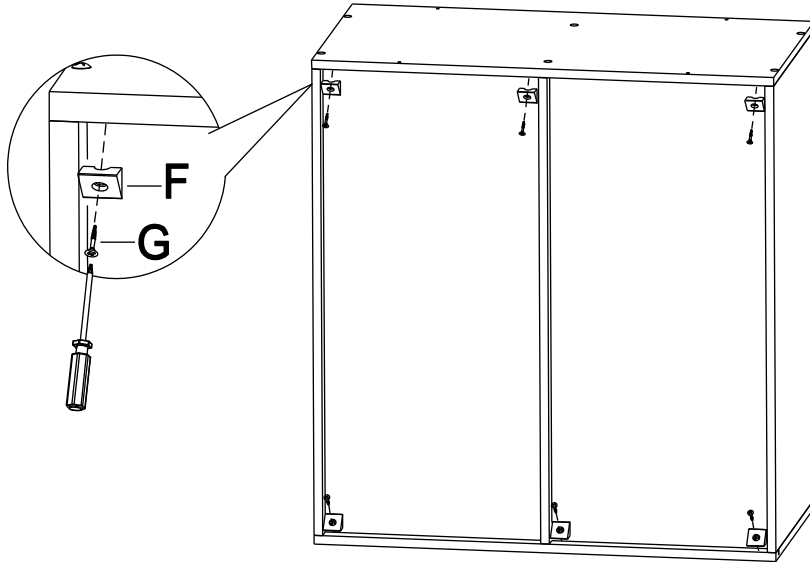
## Assembly Instructions

\*Put all screws in loosely at first.

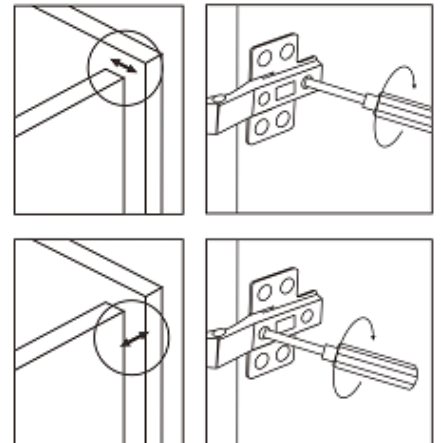
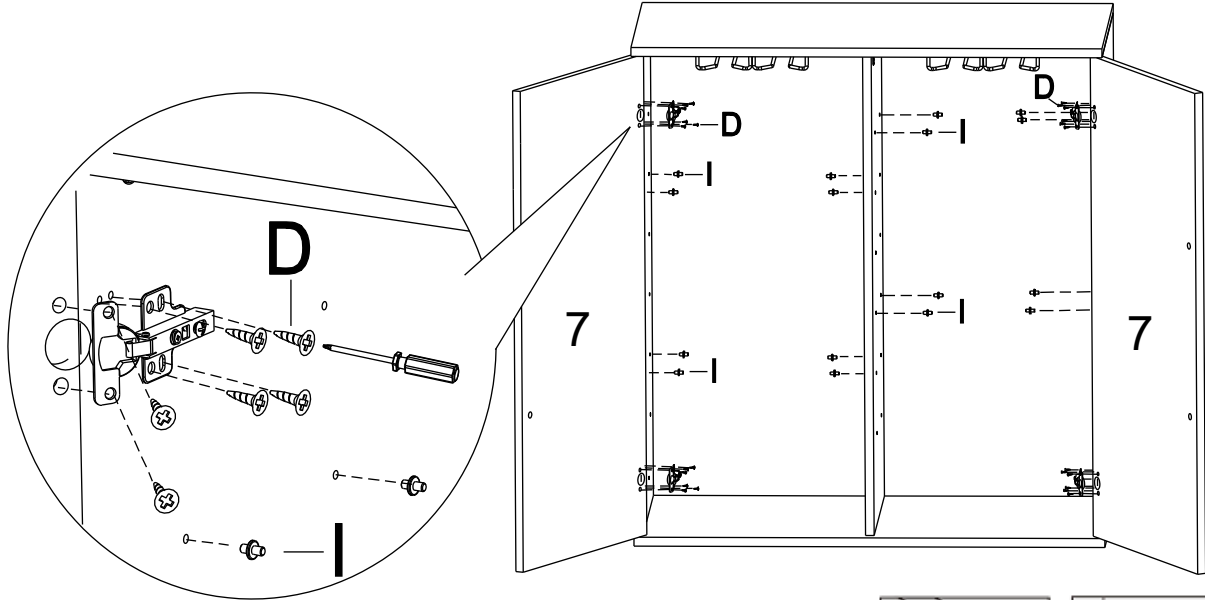
Do not tighten screws & bolts until the entire item is completely assembled.

Note: More than 2 people assemble required

### Step 5



### Step 6



# LK100SV

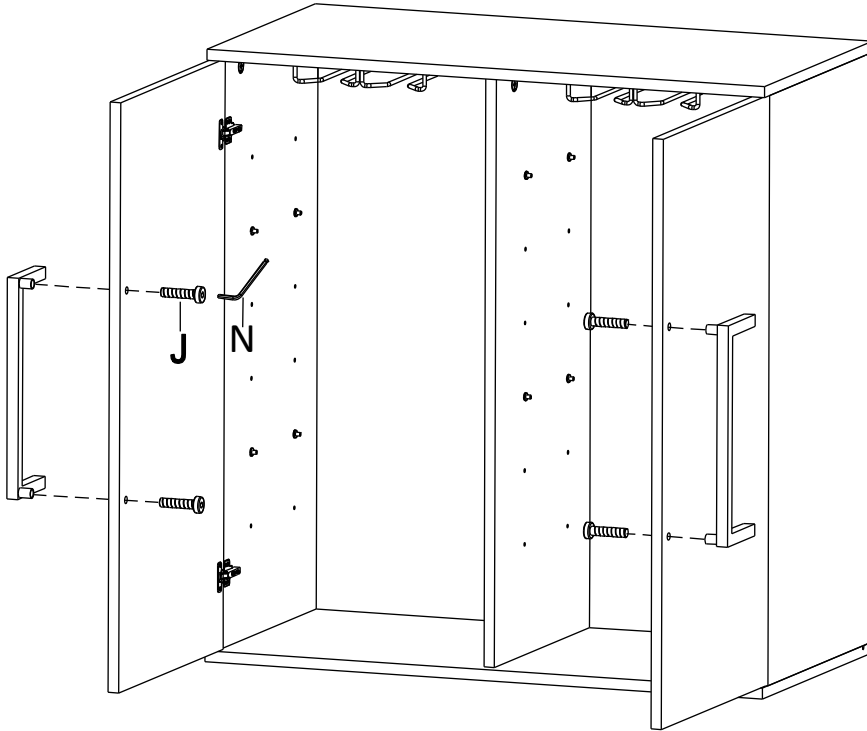
## Assembly Instructions

\*Put all screws in loosely at first.

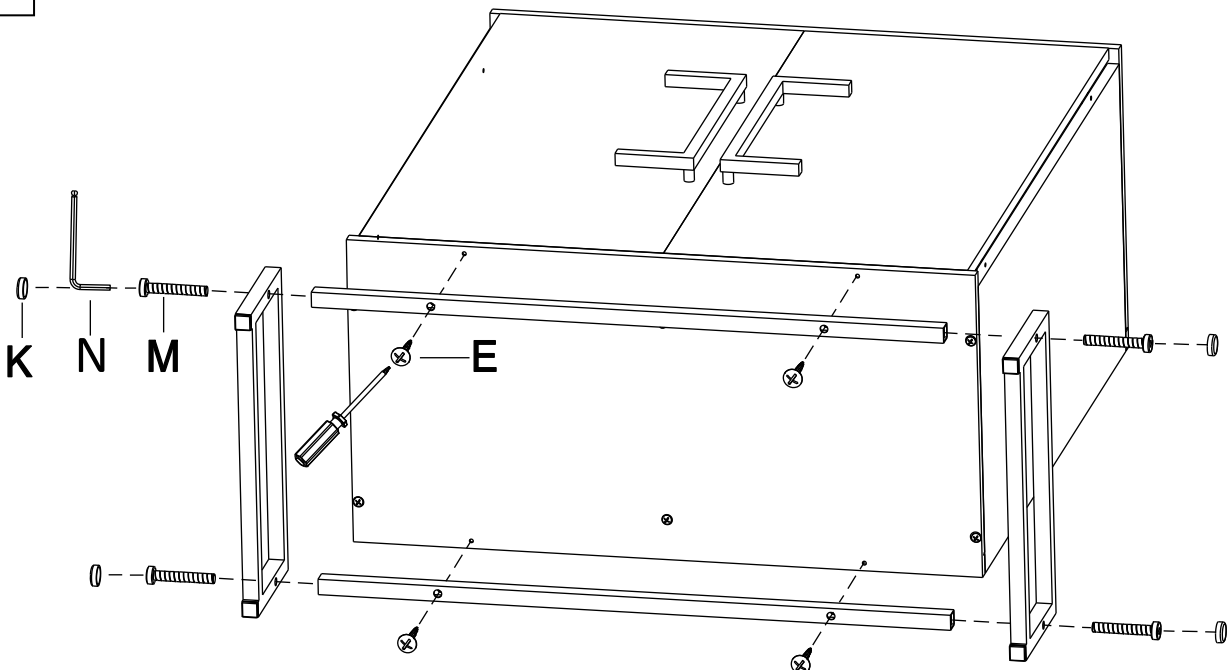
Do not tighten screws & bolts until the entire item is completely assembled.

Note: More than 2 people assemble required

### Step 7



### Step 8



# LK100SV

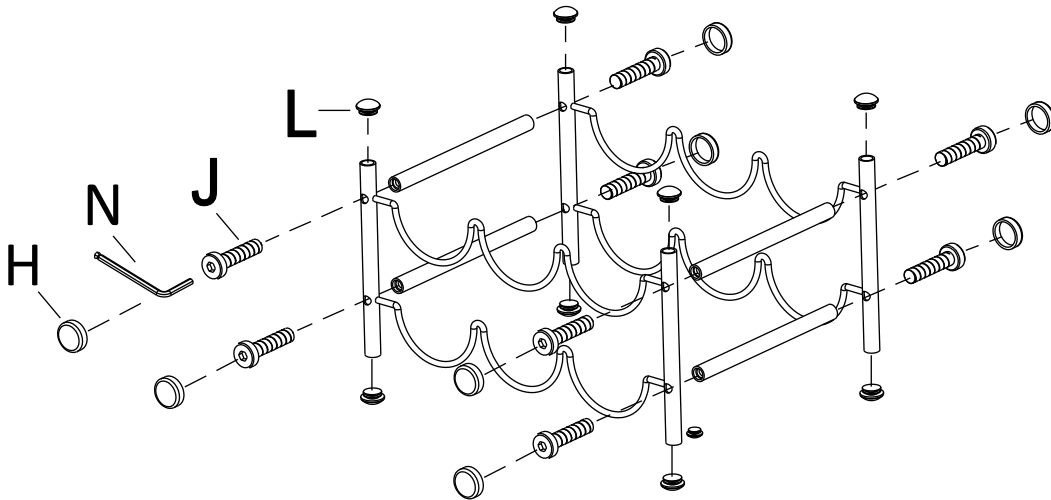
## Assembly Instructions

\*Put all screws in loosely at first.

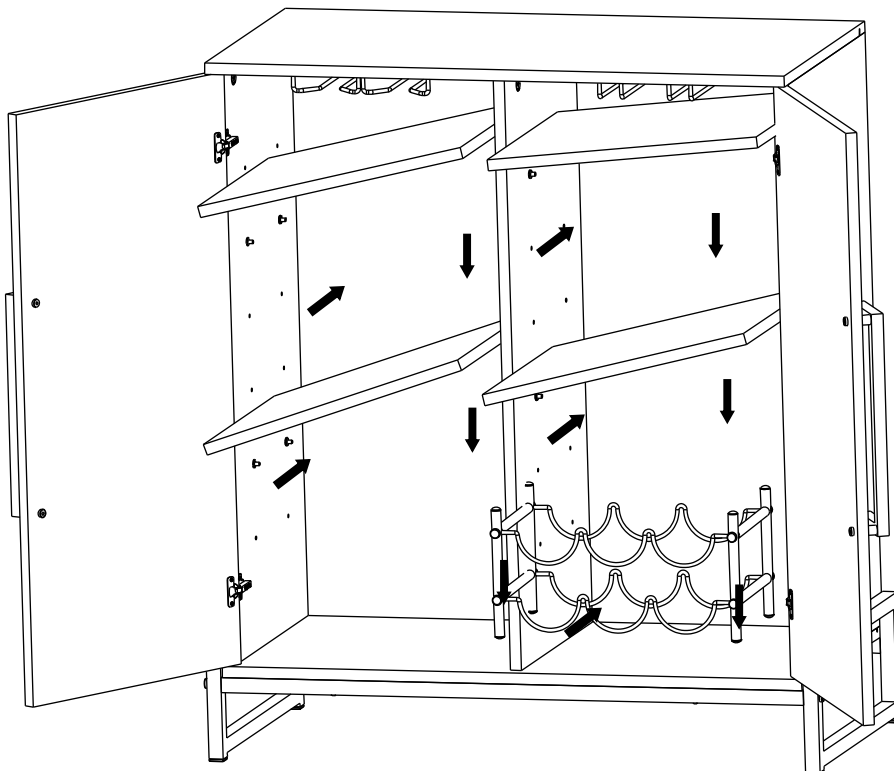
Do not tighten screws & bolts until the entire item is completely assembled.

Note: More than 2 people assemble required












Step 9






Step 10



# Hardware Pack#: PLK100SVH

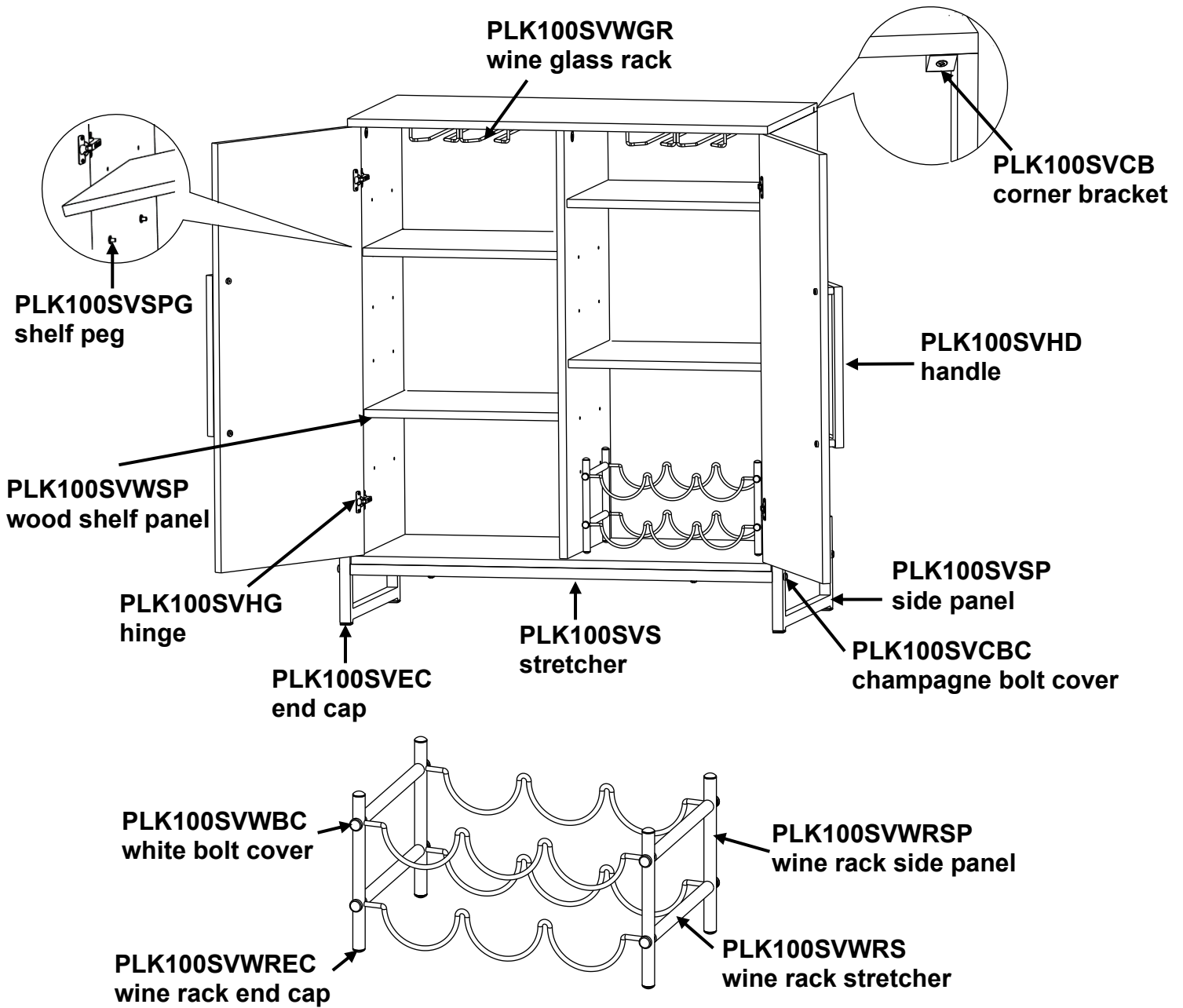
|   |   |       |          |
|---|---|-------|----------|
| A |    | 6PCS  | 6x38mm   |
| B |    | 12PCS | 8x30mm   |
| C |    | 6PCS  | φ15mm    |
| D |    | 32PCS | 8x5/8"   |
| E |   | 10PCS | 8x1-3/8" |
| F |    | 6PCS  |          |
| G |    | 6PCS  | 2.8x18mm |
| H |  <p data-bbox="767 1503 946 1536">Color: White</p>           | 8PCS  | 11mm     |
| I |    | 16PCS | 5x15mm   |
| J |    | 12PCS | 1/4"x1"  |
| K |  <p data-bbox="703 2022 1042 2056">Color: Champagne gold</p> | 4PCS  | 11mm     |

|   |   |      |             |
|---|---|------|-------------|
| L |   | 8PCS | 1/2"        |
| M |  | 4PCS | 1/4"x1-1/2" |
| N |  | 1PC  | 4mm         |

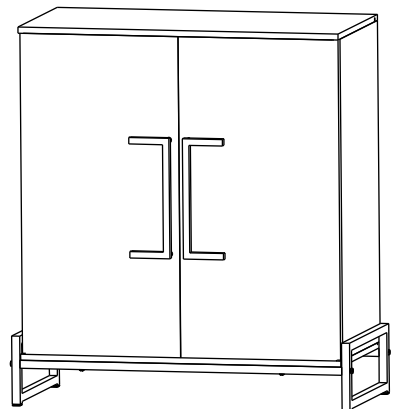


# PARTS FOR LK100SV

## Complete Hardware#: PLK100SVH




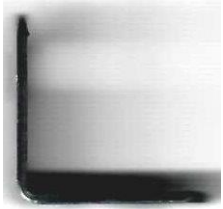
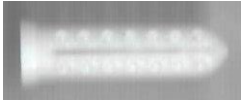


| PRODUCT DETAILS |   |
|-----------------|---|
| CABINET & SHELF | PAPER VENEER ON PB  |
| BASE & HANDLE   | IRON  |
| WINE RACK       | IRON+PLASTIC  |
| BOTTLE RACK     | IRON  |
| COLOR OF METAL  | CHAMPAGNE (BASE & HANDLE)<br>WHITE (BOTTLE RACK & WINERACK) |
| PRODUCT SIZE    | 33.50"X18.00"X37.00"  |
| CARTON SIZE     | 37.00"X20.00"X9.75"   |
| NET WEIGHT      | 74.80 LBS   |
| GROSS WEIGHT    | 81.84 LBS   |
| CU.FT.          | 4.18'   |



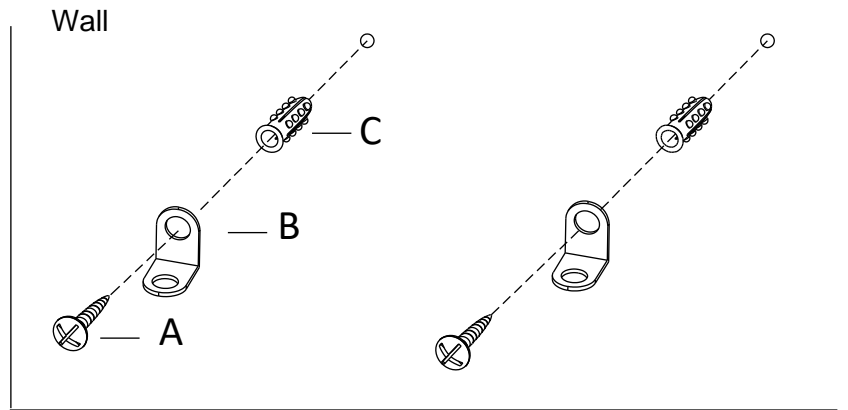
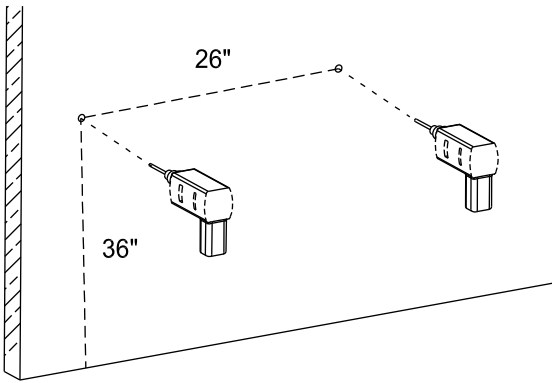
**MADE IN TAIWAN**

# ANTI-TIPPING INSTRUCTIONS

## Parts Enclosed:

| A. Screw   | B. L-Bracket  | C. Wall Anchor  | D. Screw  | E. Plastic tie  |
|--|---|---|---|---|
|  |  |  |  |  |
| 2pcs   | 4pcs  | 2pcs  | 2pcs  | 2pcs  |

### Step 1



### Step 2

