



Item # : JA400SB

Description: JOANNA SOFA BAR SET

**Product Size : 60" x 20" x 36" H
16" x 16" x 24"H**

Your furniture purchase is an investment. Furniture can last life times, with a minimum amount of effort. Here are a few tips to properly care for your furniture, ensuring that it looks great year after year.

Wood Furniture Maintenance:

- Always dust, wipe, and clean with the grain of the wood.
- Dust with a soft cloth. Dust will scratch the furniture surface if not removed properly.
- Use the same type of polish consistently as interchanging oil-based and wax-based polishes will cause a build-up and result in a foggy or cloudy appearance.
- If a polished surface become foggy, rub it with a cloth dipped in a solution of one tablespoon vinegar to one quart of water .
- Rub softly with the grain until the surface is completely dry.
- Soap and water are not advisable for wood surfaces. Water can penetrate the finish and raise the grain on wood, causing damage.
- Remember to change dusting cloths frequently as dirty cloths may scratch your furniture's surface .
- The Enemies of Wood:
- Moisture is wood's worst enemy. Liquid spills should be gently wiped up immediately. Coasters should be used under all beverages.
- Do not allow rubber or vinyl materials to lie on the furniture. Chemicals in rubber may leave a stain. Put a strip of felt or leather under accessories that have rubber or vinyl.
- Heat creates a chemical change in the furniture's finish, which results in a white spot. Use protective pads under hot dishes, appliances, etc.
- Sunlight's ultraviolet rays can damage the finish of furniture. Do not place furniture directly against heater or radiator and do not place in the path of hot streams of air from central heating This will cause extreme localized drying of the wood.

High Gloss Resin Table Maintenance:

- Resin tabletops have approximately 1/8" of a resin coat on the top face of the table, which will resist ice, water, wine, liquor, food, cleaning fluids, and warm or hot liquids; however, cups, glasses, etc, containing hot liquids should not be left on the table without a coaster for protection.
- Resin tabletops will scratch just the same as any other glossy surface and basic precautions should be taken.
- For lasting shine, the resin should be waxed with a car wax the does not contain silicon. Maintaining this wax build-up will result in a high gloss shine.
- When wiping down the table, a soft, clean rag should be used. Do not use a heavy paper.

Granite Top Maintenance:

- The surface of granite on your table has been polished or sealed to create a generally non-porous surface. The stone has many natural characteristics including: veining, hairline cracks, and color variations- which make up the stone's beauty.
- To maintain the beauty of your granite:
- Protect surfaces from scratching, staining and etching by
 - *Keeping them free of debris or sharp objects.
 - *Wiping up spills immediately.
 - *Avoiding contact with chemicals (paricularly acid -based materials)
 - Clean with pH neutral products or those especially formulated for use on stone.
 - It is not recommended to use a water - based solvent for dark granite as it remove the polish from the surface.
 - After a period of use, apply a penetrating sealer to prevent contaminants from being absorbed into the stone.
 - Remove stains with special absorbent poultices formulated for use on stone.
 - Renew the surface on polished granite (granite with a high gloss surface) by buffing with special stone polish, powder or cream.
 - Do not use granite polish on granite with a matte finish, which has been honed rather than polished. (Penetrating sealer may be used on both polished and honed granite).

Marble Top Maintenance :

- Marble may be stone, but it is a porous stone and can stain easily. Treating mardle surfaces the same as wood surfaces is a great rule of thumb.
- It is recommended to seal the tops on a regular basis (every 6 to 12 months)
 - A good quality stone sealer can be purchased from any tiles/stone store or any homecare store and should be applied according to the manufacture's recommendation.
 - When sealed properly, marble tops can be used indoors and outdoors and can withstand any weather conditions except internal freezing. Snow or freezing rain will penetrate the table and cause cracks.

Caring for the Fabric on Upholstered Funiture:

- Frequent vacuuming of the entire upholstered area will prevent dust from settling in to the fibers.
- Professional cleaning is always recomended for all upholstered pieces.
- Always pre -test a small area of fabric in a inconspicuous area when cleaning before proceeding.
- Do not use cleaning products containing brightening agents.

VERY IMPORTANT !!

NEVER
USE GLASS CLEANERS
ON FINISHED SURFACE
AMMONIA WILL
CHEMICALLY ATTACK
THE FINISH.

DO NOT
WRITE
DIRECTLY
ON
SURFACE

PREVENT
MARKING

DO NOT
PLACE
DIRECTLY
IN
SUNLIGHT

PREVENT
FADING

DO NOT
WRITE
PLACEMATS
WITH
RUBBER
BASES

PREVENT
DISCOLORING

NEVER
ALLOW LIQUIDS OF ANY
KIND TO LINGER ON
SURFACE. ABSORPTION
CAUSES THE WOOD TO
WARP AND THE FINISH
TO BE LAMINATE

DO NOT USE
COMMERCIAL
POLISHES
AND WAXES

PREVENT
YELLOWING

DO NOT
PLACE HOT
POT, ETC
ON SURFACE

PREVENT
DAMAGE TO
FINISH

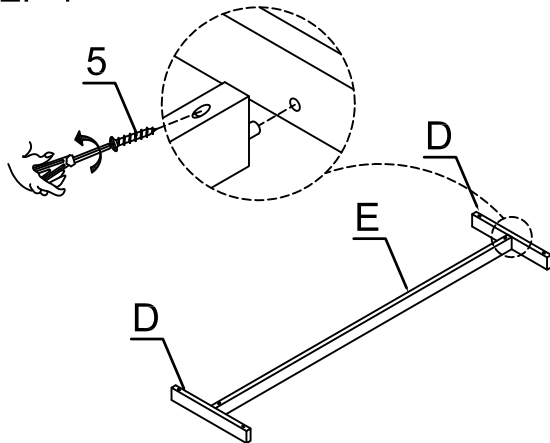
DO NOT USE
COMMERCIAL
POLISHES
AND WAXES

PREVENT
SPITTING

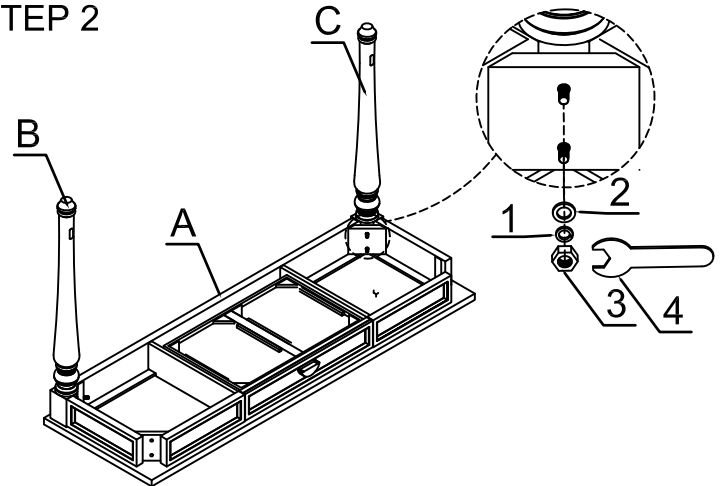
JA400SB

ASSEMBLY INSTRUCTIONS

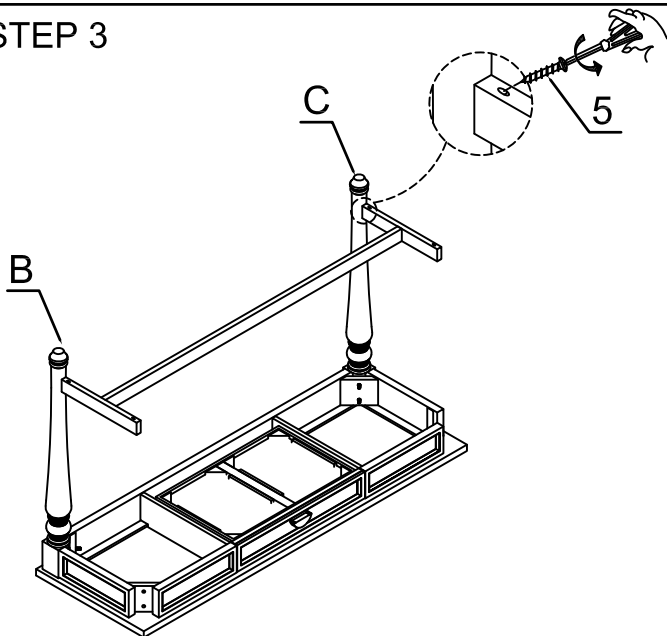
STEP 1



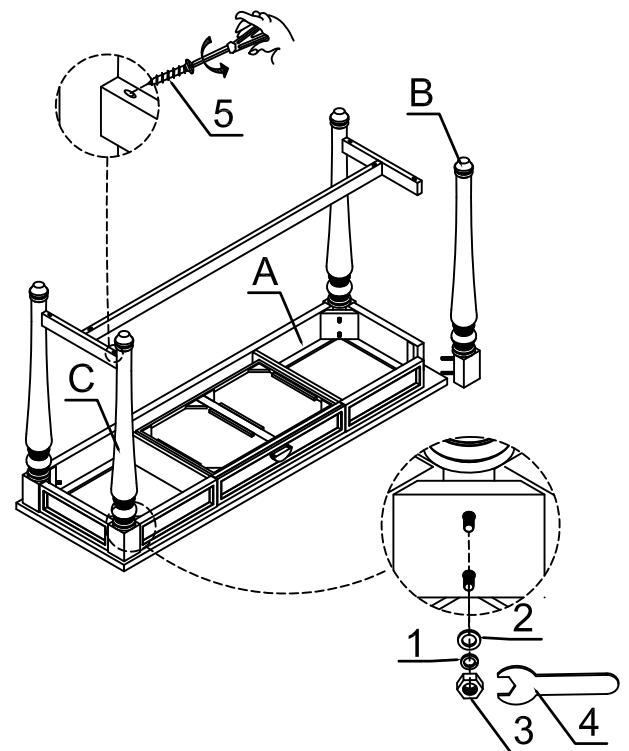
STEP 2



STEP 3



STEP 4



Step 1: Attached Short Stretcher (D) to two sides Long Stretcher (E) by using Screw (5). Tighten by Philip Screwdriver (not provided).

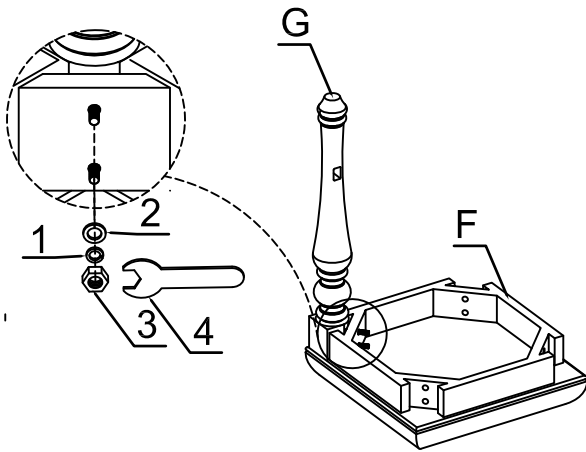
Step 2: Turn Table Top (A) upside down on the floor with a piece of cloth or carpet underneath to prevent finish from scratching. Attached LSF/RSF Leg (B/C) to corresponding sides of Table top (A) by inserting Spring Washer (1), Flat Washer (2), Hex Nut (3) and tighten by Wrench (4).

Step 3: Attached the assembled of Step 1 into holes on the LSF/RSF Leg (B/C) by using Screw (5). Tighten by Philip Screwdriver (not provided).

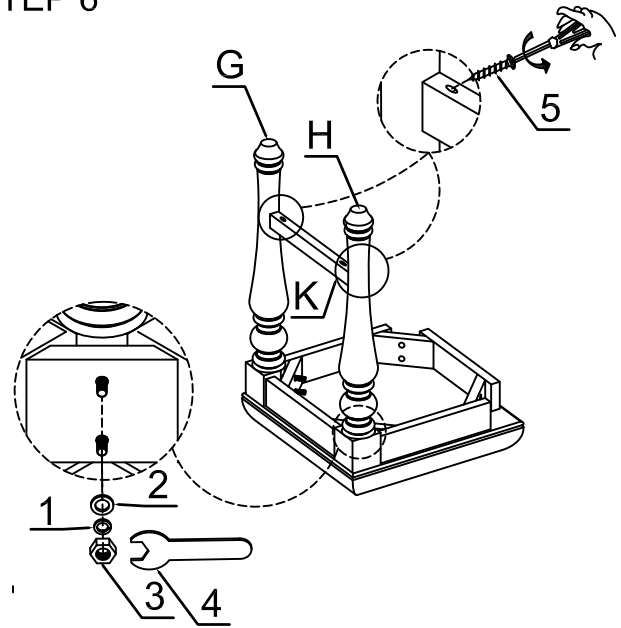
Step 4: Repeat Step 2 to attached the remaining pieces of LSF/RSF Leg (B/C) to Table Top (A). Then Repeat Step 3 to attached the remaining pieces of LSF/RSF Leg (B/C) to the assembled of Step 1. Secure by Philip Screwdriver (not provided). Fully tighten all screws and hex nuts, turn the table to upright position. Product assembly is now completed.

JA400SB ASSEMBLY INSTRUCTIONS

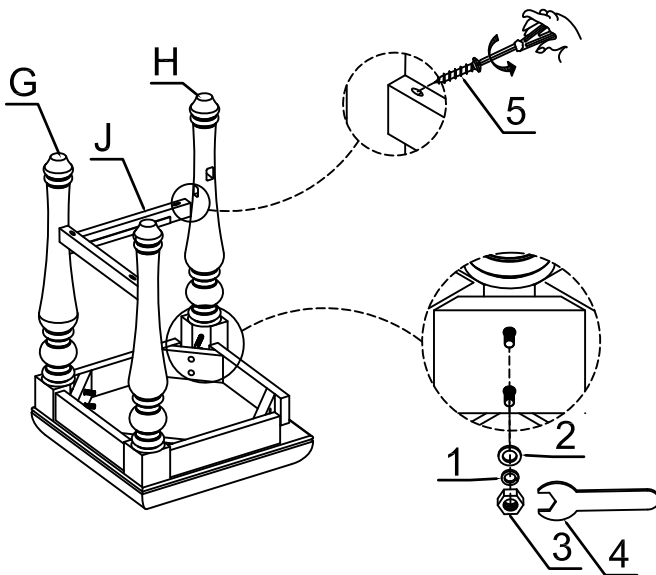
STEP 5



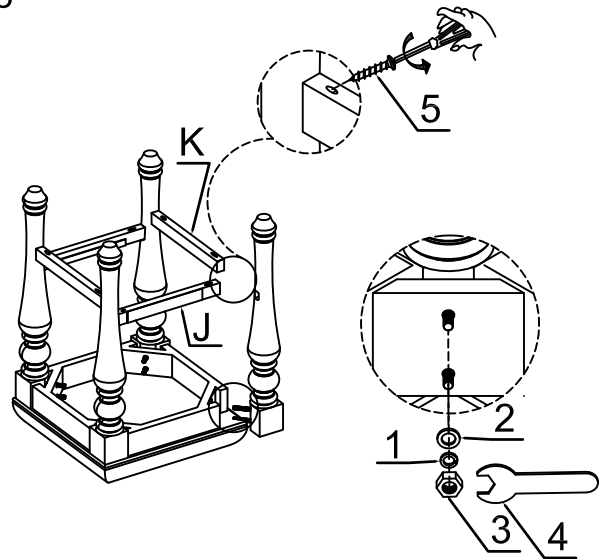
STEP 6



STEP 7



STEP 8



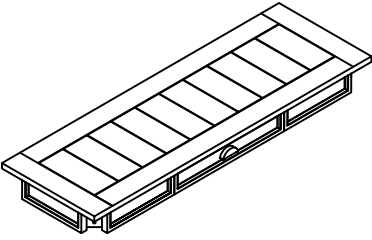


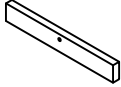
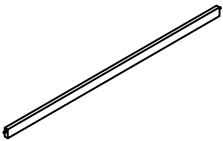
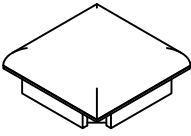
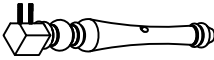
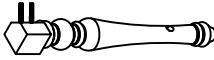
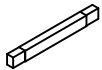

Step 5: Turn Seat cushion (F) upside down on the floor with a piece of cloth or carpet underneath to prevent cushion surface from dirt. Attached LSF Leg Stool (G) to Seat Cushion (F) by using Spring Washer (1), Flat Washer (2), Hex Nut (3) into the holes at the corner block of the Seat Cushion (F). Tighten with Wrench (4).

Step 6: Repeat Step 5 to attached the remaining piece of LSF Leg Stool (G) to Seat Cushion (F). Then attached Side Stretcher (K) into holes on legs. Tighten with Screw (5) and Philip Screwdriver (not provided).




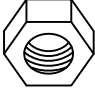
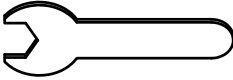
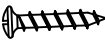
Step 7: Attached RSF Leg Stool (H) to Seat Cushion (F) by using Flat Washer (2), Spring Washer (1), Hex Nut (3) and tighten by Wrench (4). Then attached Front Stretcher W/Metal Cap (J) into holes on legs. Tighten with Screw (5) and Philip Screwdriver (not provided).

Step 8: Repeat Step 7 to attached RSF Leg Stool (H) remaining into Seat Cushion (F) by using Flat Washer (2), Spring Washer (1), Hex Nut (3) and tighten with Wrench (4). Then attach Side Stretcher (K) and Front Stretcher W/Metal Cap (J) to the legs, tighten with Screw (5) and Philip Screwdriver (not provided). Fully tighten all screws and hex nuts, turn over the stool. Product assembly is now completed.

PARTS LIST

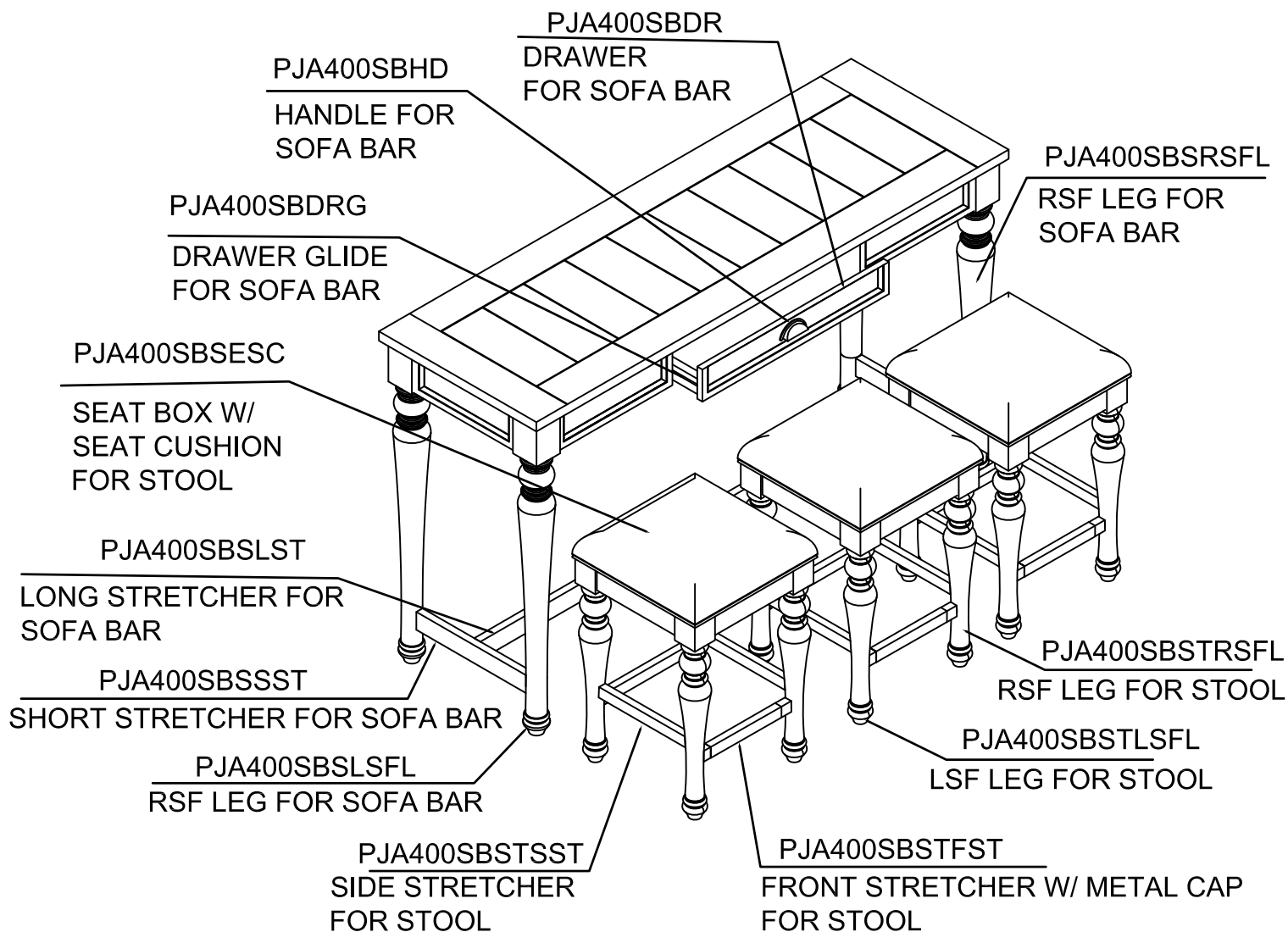
(A) TABLE TOP (1PC)	(B) LSF LEG (2PCS)	(C) RSF LEG (2PCS)	(D) SHORT STRETCHER (2PCS)
			
(E) LONG STRETCHER (1PC)	(F) SEAT CUSHION (1PC)	(G) LSF LEG STOOL (2PCS)	(H) LSF LEG STOOL (2PCS)
			
(J) FRONT STRETCHER W/ METAL CAP (2PCS)	(K) SIDE STRETCHER (2PCS)		
			

HARDWARE PACK # : PJA400SBSBH - PJA400SBSH

NO.	DESCRIPTION		DIMENSION	Q' TY
1	SPRING WASHER		Ø5/16"x13MM	32PCS
2	FLAT WASHER		Ø5/16"x19MM	32PCS
3	HEX NUT		Ø5/16"x12*6	32PCS
4	WRENCH		Ø5/16"x90MM	1PC
5	SCREW		8x45MM	30PCS

PARTS FOR JA400SB

COMPLETE HARDWARE # : PJA400SBSBH-PJA400SBSH



PRODUCT DETAILS

TABLE TOP	MDF+PB/ACACIA VENEER
LEGS	CASHEW
STRETCHER	RUBBER WOOD
MIDDLE LINK	POPLAR
DRAWER	MDF/PLYWOOD
PRODUCT SIZE	60" x 20" x 36" H 16"x16"x24" H
CARTON SIZE	64 .25"x23.75"x17"H
NET WEIGHT	105.6 LBS
GROSS WEIGHT	125.4 LBS
CU.FT	15.01"

MADE IN VIETNAM