

ITEM #:ID890QHBS  
 Isadora Queen Size Sand  
 Upholstered Headboard  
 65"x54"x5"



ITEM #:ID890QFRSS  
 Isadora Queen Size Sand Upholstered  
 Footboard, Side Rails w/slats  
 FB: 65"x15"x2"  
 SR:82"x 12"x 1.4"  
 SL:31"x2"x0.4"

Your furniture purchase is an investment. Here are a few tips to maximize the lifetime of your furniture with a minimal amount of effort. Properly caring for your furniture can help ensure that it looks great year after year.

**Wood Furniture Maintenance:**

- Always dust, wipe, and clean with the grain of the wood.
- Dust with a soft cloth. Dust will scratch the furniture surface if not removed properly.
- If a polished surface becomes foggy, rub it with a cloth dipped in a solution of one tablespoon vinegar to one quart of water. Rub softly with the grain until the surface is completely dry.
- Soap and water are not advisable for wood surfaces. Water can penetrate the finish and raise the grain on wood, causing damage.
- Remember to change dusting cloths frequently as dirty cloths may scratch your furniture's surface.

**The Enemies of Wood:**

- Moisture is wood's worst enemy. Liquid spills should be gently wiped up immediately. Coasters should be used under all beverages.
- Do not allow rubber or vinyl materials to lie on the furniture. Chemicals in rubber may leave a stain. Put a strip of felt or leather under accessories that have rubber or vinyl.
- Heat creates a chemical change in the furniture's finish, which result in a white spot. Use protective pads under hot dishes, appliances, etc.
- Sunlight's ultraviolet rays can damage the finish of furniture. Do not place furniture directly against a heater or radiator and do not place in the path of hot streams of air from central heating. This will cause extreme localized drying of the wood.

**Marble Top Maintenance:**

The surface of the marble on your table has been polished and sealed to create a generally non-porous surface. The stone has many natural characteristics including veining, hairline cracks, and color variations, which make up the stone's beauty.

To maintain the beauty of your marble:

- Protect surfaces from scratching, staining and etching by:
  - Keeping them free of debris or sharp objects.
  - Wiping up spills immediately
  - Avoiding contact with chemicals (particularly acid-based materials)
- Clean with PH neutral products or those especially formulated for use on stone.
- It is not recommended to use a water-based solvent for dark marble as it will remove the polish from the surface.

**Caring for the Fabric on Upholstered Furniture:**

- Frequent vacuuming of the entire upholstered area will prevent dust from settling into the fibers.
- Professional cleaning is always recommended for all upholstered pieces.
- Do not use cleaning products containing brightening agents.

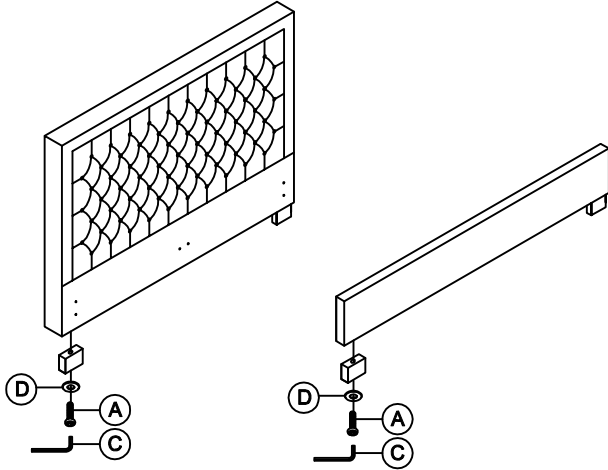
<b>VERY IMPORTANT!!</b>			
<p><b>NEVER</b>            USE GLASS CLEANERS            ON FINISHED SURFACES.            AMMONIA WILL            CHEMICALLY ATTACK            THE FINISH.</p>	<p>DO NOT            WRITE            DIRECTLY            ON            SURFACE</p>  <p><b>PREVENT            MARKING</b></p>	<p>DO NOT            PLACE            DIRECTLY            IN            SUNLIGHT</p>  <p><b>PREVENT            FADING</b></p>	<p>DO NOT            USE            PLACEMATS            WITH            RUBBER            BASES</p>  <p><b>PREVENT            DISCOLORING</b></p>
<p><b>NEVER</b>            ALLOW LIQUIDS OF ANY            KIND TO LINGER ON            SURFACES. ABSORPTION            CAUSES THE WOOD TO            WARP AND THE FINISH            TO DE-LAMINATE.</p>	<p>DO NOT USE            COMMERCIAL            POLISHES            AND WAXES</p>  <p><b>PREVENT            YELLOWING</b></p>	<p>DO NOT            PLACE HOT            POTS, ETC            ON            SURFACE</p>  <p><b>PREVENT            DAMAGE TO            FINISH!</b></p>	<p>REGULATE            THE            HUMIDITY            CONDITIONS            AT YOUR            HOME</p>  <p><b>PREVENT            SPLITTING</b></p>

# ID890QHBS/ID890QFRSS

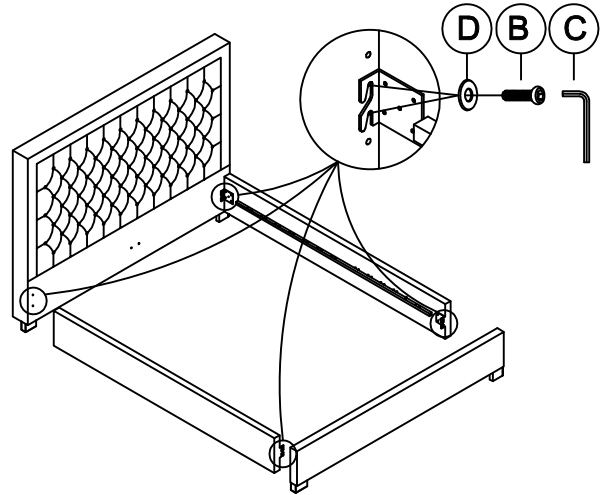
## Assembly Instructions

Do not fully tighten screws & bolts until the entire item is completely assembled.  
2 people assemble required.

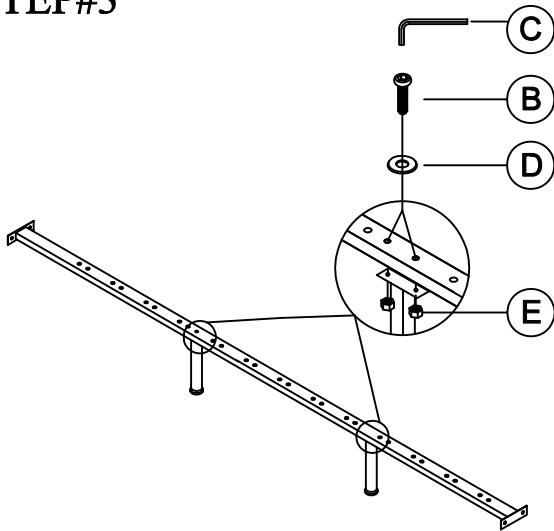
### STEP#1



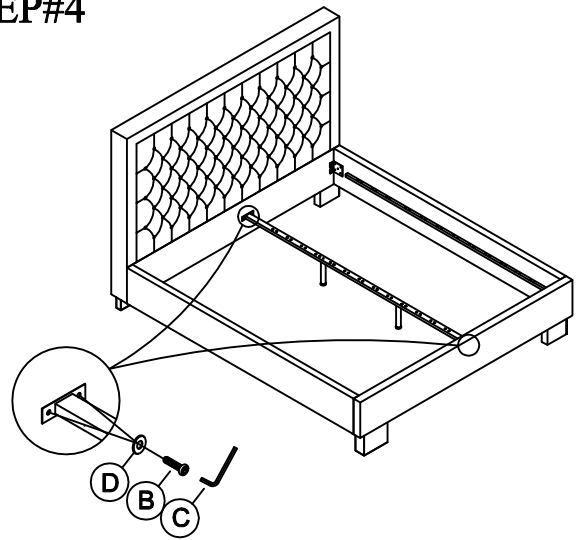
### STEP#2



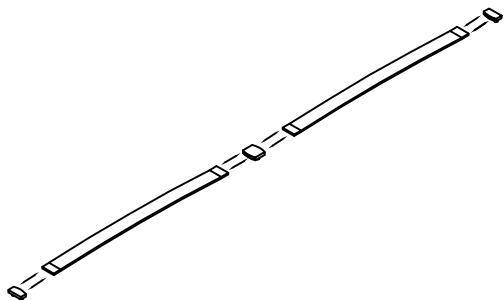
### STEP#3



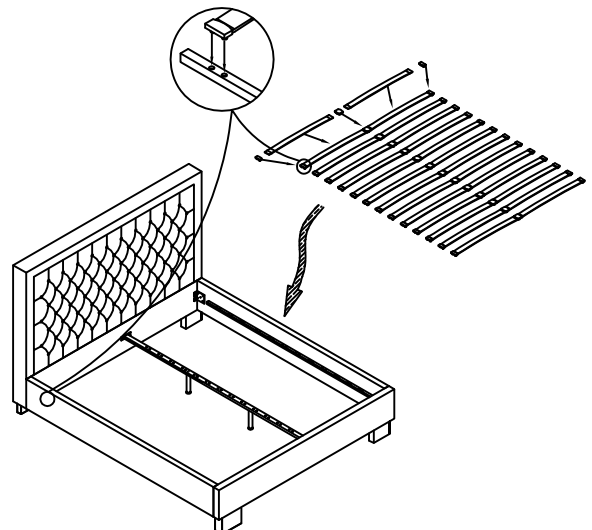
### STEP#4



### STEP#5



### STEP#6

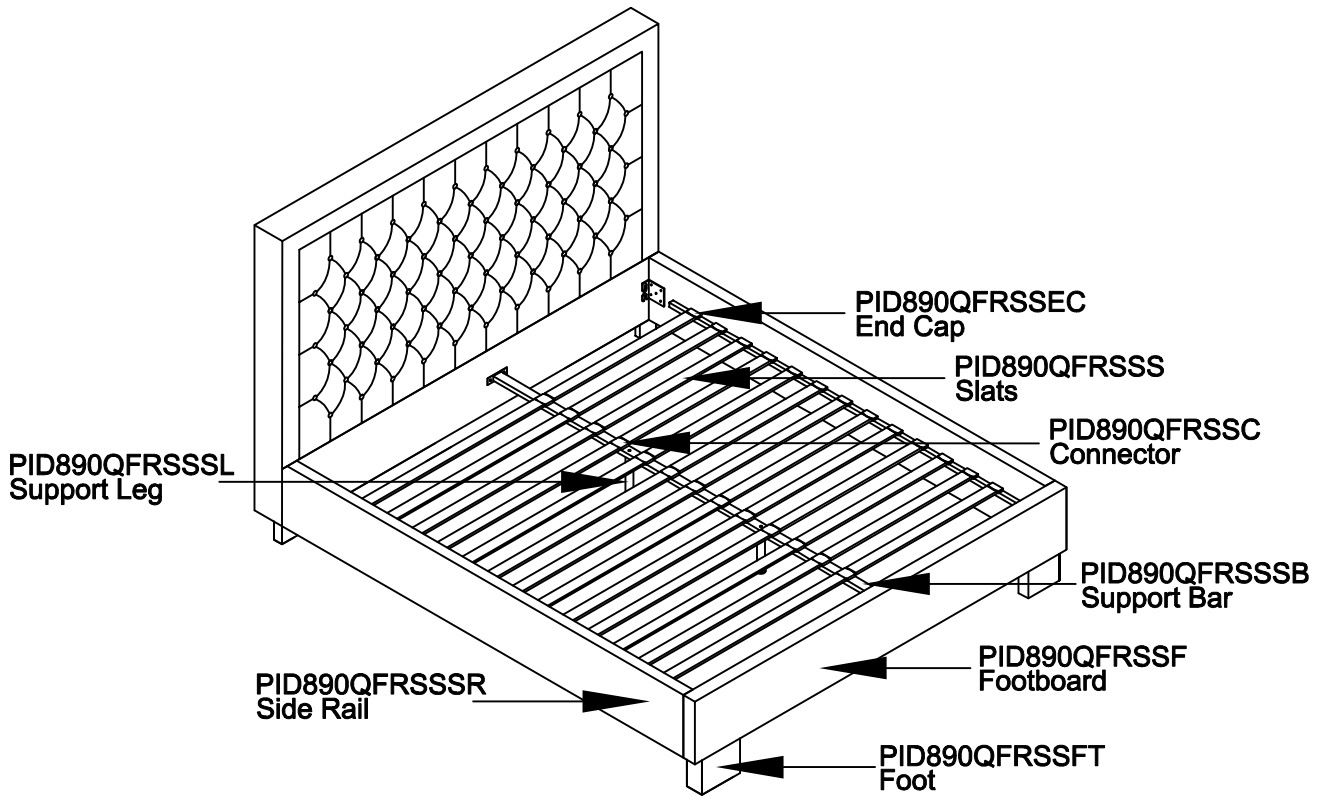


# Hardware Pack:#PID890QFRSSH

A		M8x45mm	4PCS
B		M8x30mm	16PCS
C		5mm	1PC
D		M8x19mm	20PCS
E		M8mm	4PCS

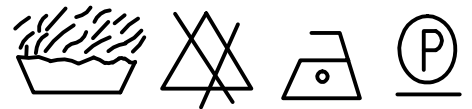
# PARTS FOR ID890QHBS/ID890QFRSS

## COMPLETE HARDWARE:#PID890QFRSSH



PRODUCT DETAILS		
HEADBOARD	MDF+PW+FABRIC+FOAM+WHITE VERTEBRAL WOOD	
FOOTBOARD	MDF+PW+FABRIC+FOAM+WHITE VERTEBRAL WOOD	
SIDE RAIL	MDF+PW+FABRIC+FOAM	
SUPPORT BAR	IRON	
SUPPORT LEG	IRON	
SLATS	POPLAR	
FOOT	RUBBER WOOD	
END CAP	PLASTIC	
CONNECTOR	PLASTIC	
PRODUCT SIZE	HB:65"x54"x5"	FB:65"x 15"x 2"
		SR:82"x 12"x 1.4"
		SL:31"x 2"x 0.4"
CARTON SIZE	HB:66.25" x53.5" x5"	FB/SR/SL:85.25" x16.75" x9"
NET WEIGHT	HB:23.10KG/50.82LBS	FB/SR/SL:28.90KG/63.58LBS
GROSS WEIGHT	HB:30.80KG/67.76LBS	FB/SR/SL:31.70KG/69.74LBS
CU.FT.	HB:10.26'	FB/SR/SL:7.44'

FABRIC CONTENT:15%LINEN+85%POLYESTER  
 This fabric is machine washable.  
 Allow+/-3% residual shrinkage.  
 Do not use cleaning products containing brightening agents.  
 Do not mix fabrics with different colors.  
 The fabric is suitable for drapery and upholstery.



**MADE IN CHINA**

ITEM #:ID890QHBS  
Isadora Queen Size Sand  
Upholstered Headboard  
65"x54"x5"



ITEM #:ID890QFRSS  
Isadora Queen Size Sand Upholstered  
Footboard, Side Rails w/slats  
FB: 65"x15"x2"  
SR:82"x 12"x 1.4"  
SL:31"x2"x0.4"

Your furniture purchase is an investment. Here are a few tips to maximize the lifetime of your furniture with a minimal amount of effort. Properly caring for your furniture can help ensure that it looks great year after year.

**Wood Furniture Maintenance:**

- Always dust, wipe, and clean with the grain of the wood.
- Dust with a soft cloth. Dust will scratch the furniture surface if not removed properly.
- If a polished surface becomes foggy, rub it with a cloth dipped in a solution of one tablespoon vinegar to one quart of water. Rub softly with the grain until the surface is completely dry.
- Soap and water are not advisable for wood surfaces. Water can penetrate the finish and raise the grain on wood, causing damage.
- Remember to change dusting cloths frequently as dirty cloths may scratch your furniture's surface.

**The Enemies of Wood:**

- Moisture is wood's worst enemy. Liquid spills should be gently wiped up immediately. Coasters should be used under all beverages.
- Do not allow rubber or vinyl materials to lie on the furniture. Chemicals in rubber may leave a stain. Put a strip of felt or leather under accessories that have rubber or vinyl.
- Heat creates a chemical change in the furniture's finish, which result in a white spot. Use protective pads under hot dishes, appliances, etc.
- Sunlight's ultraviolet rays can damage the finish of furniture. Do not place furniture directly against a heater or radiator and do not place in the path of hot streams of air from central heating. This will cause extreme localized drying of the wood.

**Marble Top Maintenance:**

The surface of the marble on your table has been polished and sealed to create a generally non-porous surface. The stone has many natural characteristics including veining, hairline cracks, and color variations, which make up the stone's beauty.

To maintain the beauty of your marble:

- Protect surfaces from scratching, staining and etching by:
  - Keeping them free of debris or sharp objects.
  - Wiping up spills immediately
  - Avoiding contact with chemicals (particularly acid-based materials)
- Clean with PH neutral products or those especially formulated for use on stone.
- It is not recommended to use a water-based solvent for dark marble as it will remove the polish from the surface.

**Caring for the Fabric on Upholstered Furniture:**

- Frequent vacuuming of the entire upholstered area will prevent dust from settling into the fibers.
- Professional cleaning is always recommended for all upholstered pieces.
- Do not use cleaning products containing brightening agents.

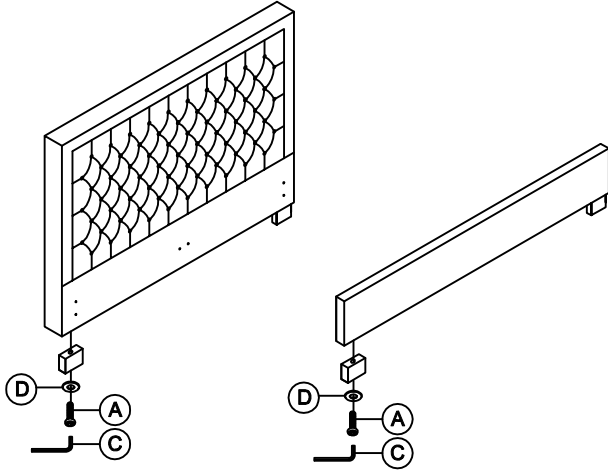
<b>VERY IMPORTANT!!</b>			
<p><b>NEVER</b> USE GLASS CLEANERS ON FINISHED SURFACES. AMMONIA WILL CHEMICALLY ATTACK THE FINISH.</p>	<p>DO NOT WRITE DIRECTLY ON SURFACE </p> <p><b>PREVENT MARKING</b></p>	<p>DO NOT PLACE DIRECTLY IN SUNLIGHT </p> <p><b>PREVENT FADING</b></p>	<p>DO NOT USE PLACEMATS WITH RUBBER BASES </p> <p><b>PREVENT DISCOLORING</b></p>
<p><b>NEVER</b> ALLOW LIQUIDS OF ANY KIND TO LINGER ON SURFACES. ABSORPTION CAUSES THE WOOD TO WARP AND THE FINISH TO DE-LAMINATE.</p>	<p>DO NOT USE COMMERCIAL POLISHES AND WAXES </p> <p><b>PREVENT YELLOWING</b></p>	<p>DO NOT PLACE HOT POTS, ETC ON SURFACE </p> <p><b>PREVENT DAMAGE TO FINISH!</b></p>	<p>REGULATE THE HUMIDITY CONDITIONS AT YOUR HOME </p> <p><b>PREVENT SPLITTING</b></p>

# ID890QHBS/ID890QFRSS

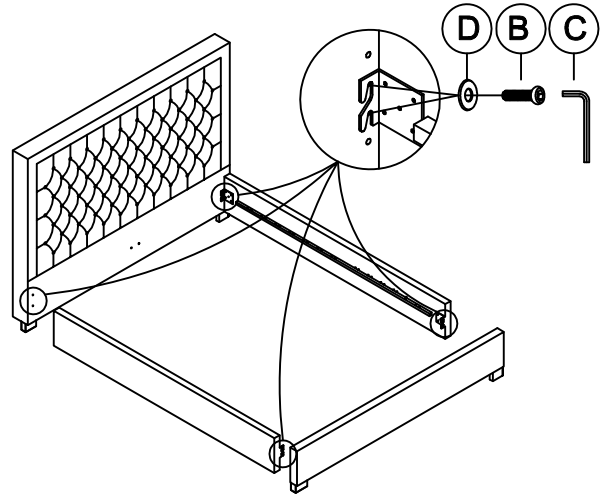
## Assembly Instructions

Do not fully tighten screws & bolts until the entire item is completely assembled.  
2 people assemble required.

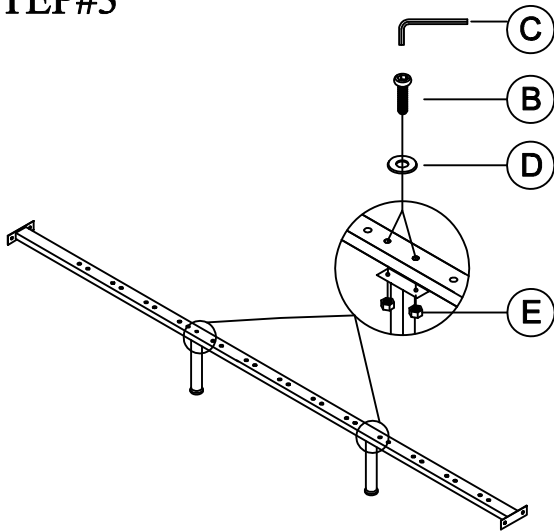
### STEP#1



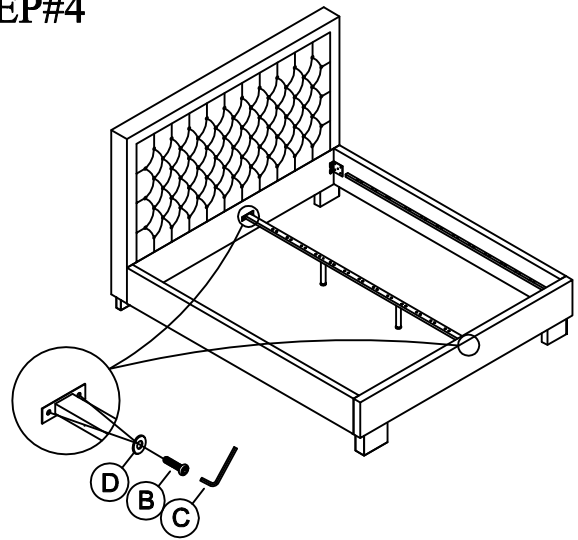
### STEP#2



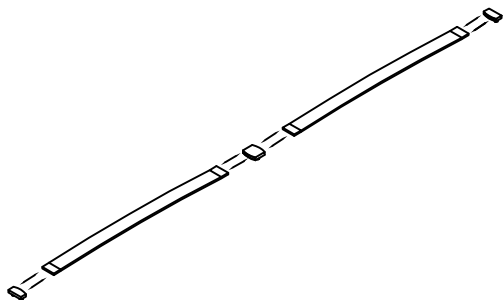
### STEP#3



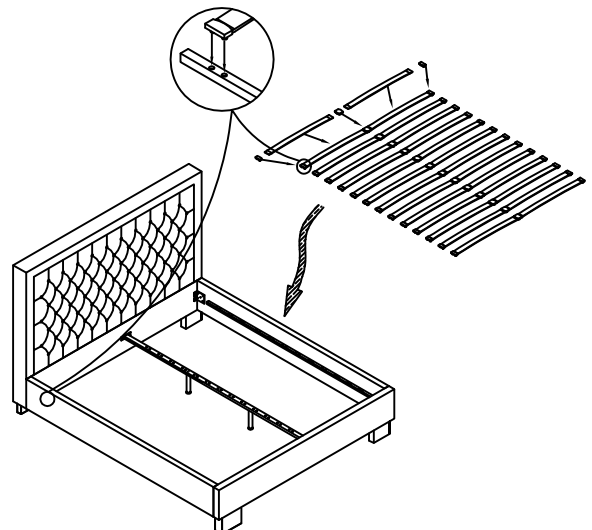
### STEP#4



### STEP#5



### STEP#6

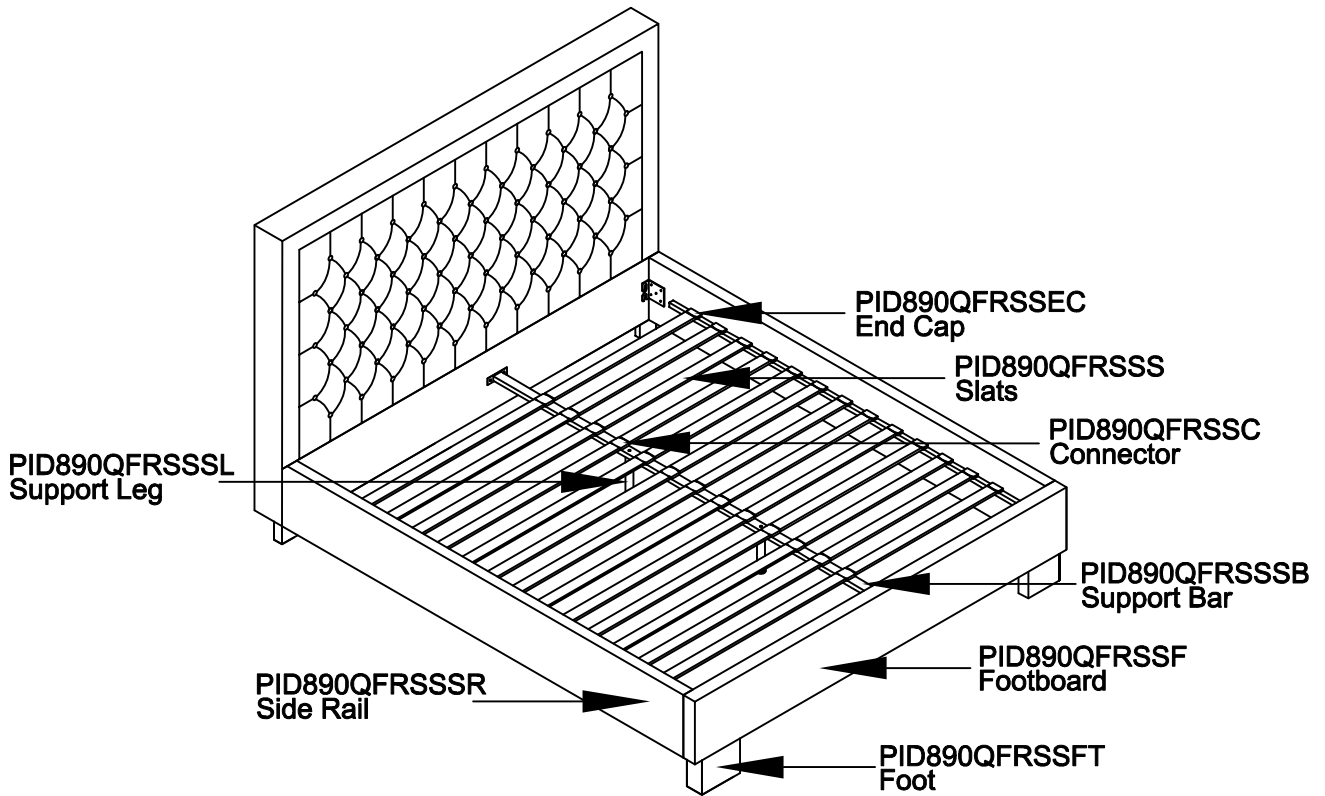


# Hardware Pack:#PID890QFRSSH

A		M8x45mm	4PCS
B		M8x30mm	16PCS
C		5mm	1PC
D		M8x19mm	20PCS
E		M8mm	4PCS

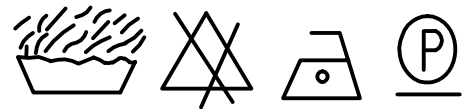
# PARTS FOR ID890QHBS/ID890QFRSS

## COMPLETE HARDWARE:#PID890QFRSSH



PRODUCT DETAILS		
HEADBOARD	MDF+PW+FABRIC+FOAM+WHITE VERTEBRAL WOOD	
FOOTBOARD	MDF+PW+FABRIC+FOAM+WHITE VERTEBRAL WOOD	
SIDE RAIL	MDF+PW+FABRIC+FOAM	
SUPPORT BAR	IRON	
SUPPORT LEG	IRON	
SLATS	POPLAR	
FOOT	RUBBER WOOD	
END CAP	PLASTIC	
CONNECTOR	PLASTIC	
PRODUCT SIZE	HB:65"x54"x5"	FB:65"x 15"x 2"
		SR:82"x 12"x 1.4"
		SL:31"x 2"x 0.4"
CARTON SIZE	HB:66.25" x53.5" x5"	FB/SR/SL:85.25" x16.75" x9"
NET WEIGHT	HB:23.10KG/50.82LBS	FB/SR/SL:28.90KG/63.58LBS
GROSS WEIGHT	HB:30.80KG/67.76LBS	FB/SR/SL:31.70KG/69.74LBS
CU.FT.	HB:10.26'	FB/SR/SL:7.44'

FABRIC CONTENT:15%LINEN+85%POLYESTER  
 This fabric is machine washable.  
 Allow+/-3% residual shrinkage.  
 Do not use cleaning products containing brightening agents.  
 Do not mix fabrics with different colors.  
 The fabric is suitable for drapery and upholstery.



**MADE IN CHINA**