



Item # : HE500CCST

Description: HALLE COUNTER BENCH

Product Size: 54"×17"×24"H

Your furniture purchase is an investment. Furniture can last life times, with a minimum amount of effort. Here are a few tips to properly care for your furniture, ensuring that it looks great year after year.

Wood Furniture Maintenance:

- Always dust, wipe, and clean with the grain of the wood.
- Dust with a soft cloth. Dust will scratch the furniture surface if not removed properly.
- Use the same type of polish consistently as interchanging oil-based and wax-based polishes will cause a build-up and result in a foggy or cloudy appearance.
- If a polished surface become foggy, rub it with a cloth dipped in a solution of one tablespoon vinegar to one quart of water .
- Rub softly with the grain until the surface is completely dry.
- Soap and water are not advisable for wood surfaces. Water can penetrate the finish and raise the grain on wood, causing damage.
- Remember to change dusting cloths frequently as dirty cloths may scratch your furniture's surface .
- The Enemies of Wood:
 - Moisture is wood's worst enemy. Liquid spills should be gently wiped up immediately. Coasters should be used under all beverages.
 - Do not allow rubber or vinyl materials to lie on the furniture. Chemicals in rubber may leave a stain.Put a strip of felt or leather under accessories that have rubber or vinyl.
 - Heat creates a chemical change in the furniture's finish, which results in a white spor. Use protective pads under hot dishes, appliances, etc.
 - Sunlight's ultraviolet rays can damage the finish of furniture. Do not place furniture directly against heater or radiator and do not place in the path of hot streams of air from central heating This will cause extreme localized drying of the wood.

High Gloss Resin Table Maintenance:

- Resin tabletops have approximately 1/8" of a resin coat on the top face of the table, which will resist ice, water, wine, liquor, food, cleaning fluids, and warm or hot liquids; however, cups, glasses, etc, containing hot liquids should not be left on the table without a coaster for protection.
- Resin tabletops will scratch just the same as any other glossy surface and basic precautions should be taken.
- For lasting shine, the resin should be waxed with a car wax the does not contain silicon. Maintaining this wax build-up will result in a high gloss shine.
- When wiping down the table, a soft, clean rag should be used. Do not use a heavy paper.

Granite Top Maintenance:

- The surface of granite on your table has been polished or sealed to creat a generally non-porous surface. The stone has many natural characteristics including: veining, hairline cracks, and color variations- which make up the stone's beauty.
- To maintain the beauty of your granite:
- Protect surfaces from scratching, staining and etching by
 - *Keeping them free of debris or sharp objects.
 - *Wiping up spills immediately.
 - *Avoiding contact with chemicals (paricularly acid -based materials)
 - Clean with pH neutral products or those especially formulated for use on stone.
 - It is not recommended to use a water - based solvent for dark granite as it remove the polish from the surface.
 - After a period of use, apply a penetrating sealer to prevent contaminants from being absorbed into the stone.
 - Remove stains with special absorbent poultices formulated for use on stone.
 - Renew the surface on polished granite (granite with a high gloss surface) by buffing with special stone polish, powder or cream.
- Do not use granite polish on granite with a matte finish, which has been honed rather than polished. (Penetrating sealer may be used on both polished and honed grannite).







Marble Top Maintenance :

- Marble may be stone, but it is porous stone and can stain easily. Treating marde surfaces the same as wood surfaces is a great rule of thumb.
- It is recommended to seal the tops on a regular basis (every 6 to 12 months)
 - A good quality stone sealer can be purchased from any tiles/stone store or any homecare store and should be applied according to the manufacture's recommendation.
 - When sealed properly, marble tops can be used indoors and outdoors and can withstand any weather conditions except internal freezing. Snow or freezing rain will penetrate the table and cause cracks.

Caring for the Fabric on Upholstered Funiture:

- Frequent vacuuming of the entire uphostered area will prevent dust from settling in to the fibers.
- Professional cleaning is always recomended for all upholstered pieces.
- Always pre -test a small area of fabric in a inconspicuous area when cleaning before proceeding.
- Do not use cleaning products containing brightnenning agents.

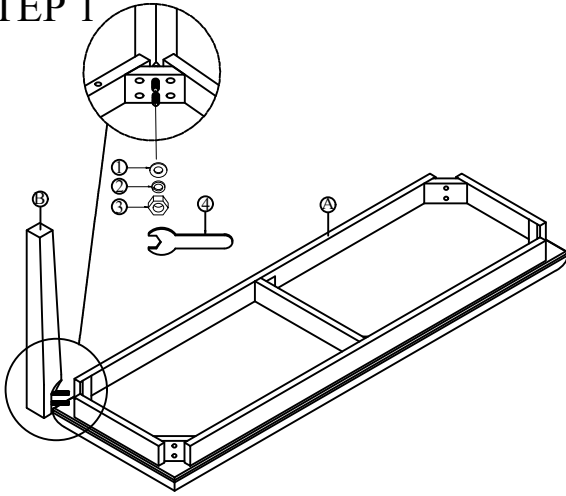
VERY IMPORTANT !!

<p>NEVER USE GLASS CLEANERS ON FINISHED SURFACE AMMONIA WILL CHEMICALLY ATTACK THE FINISH.</p>	<p>DO NOT WRITE DIRECTLY ON SURFACE  PREVENT MARKING</p>	<p>DO NOT PLACE DIRECTLY IN SUNLIGHT  PREVENT FADING</p>	<p>DO NOT WRITE PLACEMATS WITH RUBBER BASES  PREVENT DISCOLORING</p>
<p>NEVER ALLOW LIQUIDS OF ANY KIND TO LINGER ON SURFACE ABSORPTION CAUSES THE WOOD TO WARP AND THE FINISH TO BE LAMINATE</p>	<p>DO NOT USE COMMERCIAL POLISHES AND WAXES  PREVENT YELLOWING</p>	<p>DO NOT PLACE HOT POTS, ETC ON SURFACE  PREVENT DAMAGE TO FINISH</p>	<p>DO NOT USE COMMERCIAL POLISHES AND WAXES  PREVENT SPLITTING</p>

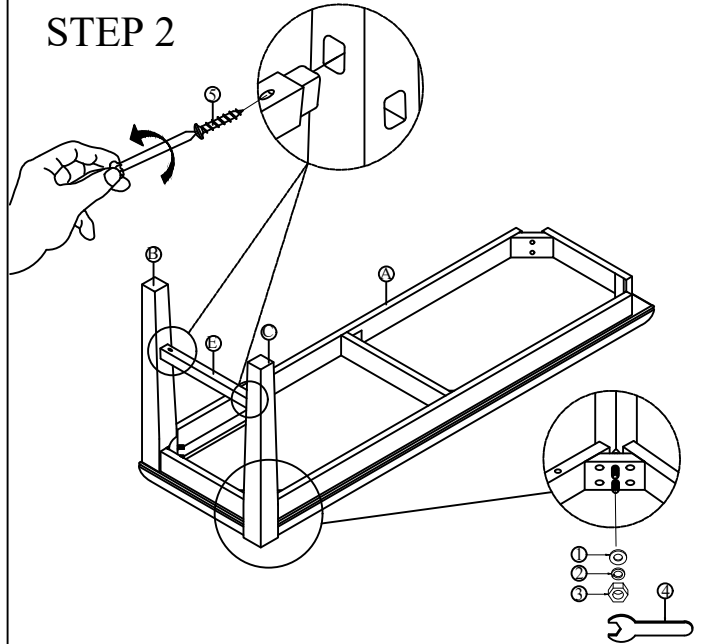
HE500CCST

ASSEMBLY INSTRUCTIONS

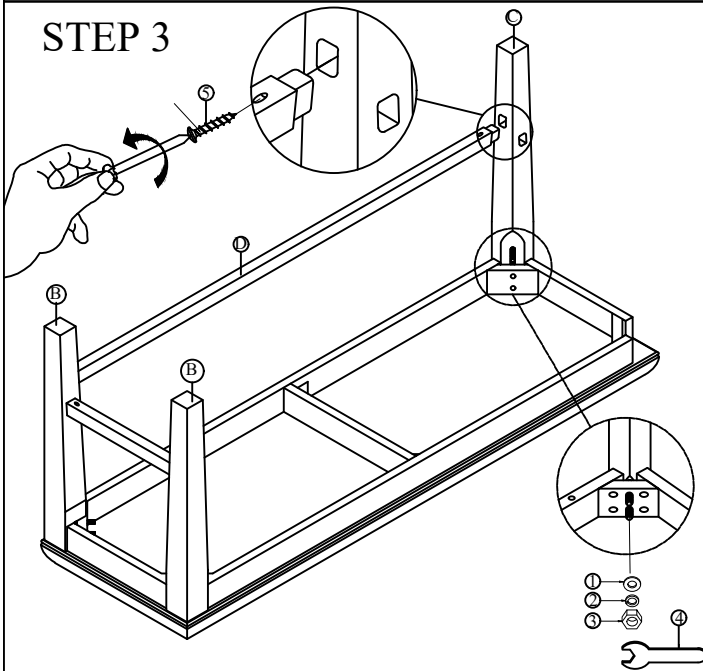
STEP 1



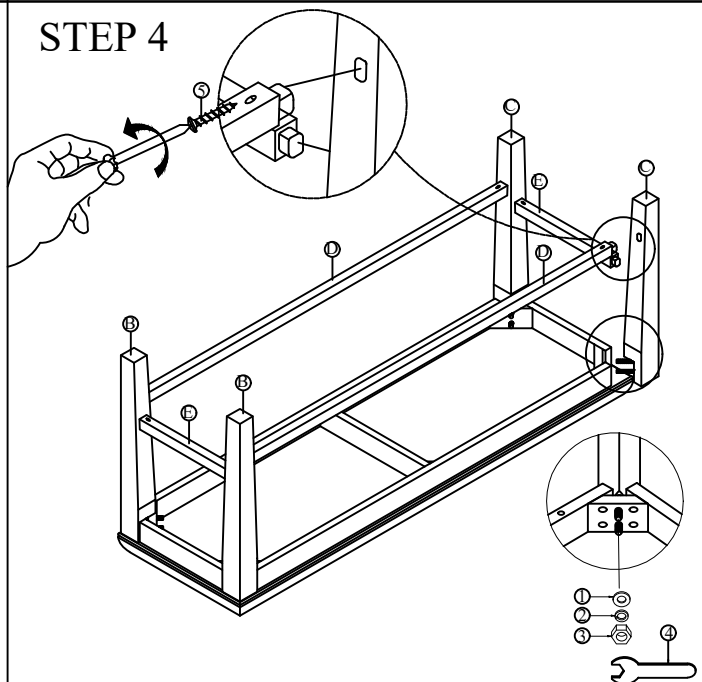
STEP 2



STEP 3



STEP 4



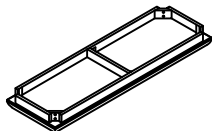
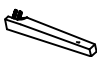
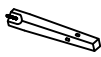
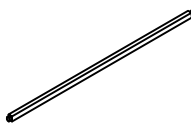

Step 1: Turn Seat cushion (A) upside down on the floor with a piece of cloth or carpet underneath to prevent cushion surface from dirt. Attach Right Leg (B) to Seat Cushion (A) by inserting Spring Washer (1), Flat Washer (2), Hex Nut (3) to the holes at the corner block of the Seat Cushion (A). Tighten with Wrench (4).

Step 2: Repeat Step 1 to attach the remaining piece of Right Leg (B) to Seat Cushion (A). Then insert Short Stretcher (E) into the holes on legs. Secure with Screw (5) and Philip Screwdriver (not provided).




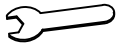
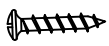
Step 3: Attach Left Leg (C) to Seat Cushion (A) by using Spring Washer (1), Flat Washer (2), Hex Nut (3) and tighten by Wrench (4). Then secure Long Stretcher (D) into holes on Right Leg (C) and Left Leg (B) by Screw (5) and Philip Screwdriver (not provided).

Step 4: Step 4: Repeat Step 3 to attach Left Leg (C) remaining into Seat Cushion (A) by inserting Spring Washer (1), Flat Washer (2), Hex Nut (3) and tighten with Wrench (4). Then insert Short Stretcher (E) and Long Stretcher (D) into the holes on legs, all secure with Screw (5) and Philip Screwdriver (not provided). Fully tighten all screws and hex nuts, turn over the bench. Product assembly is now completed.

PARTS LIST

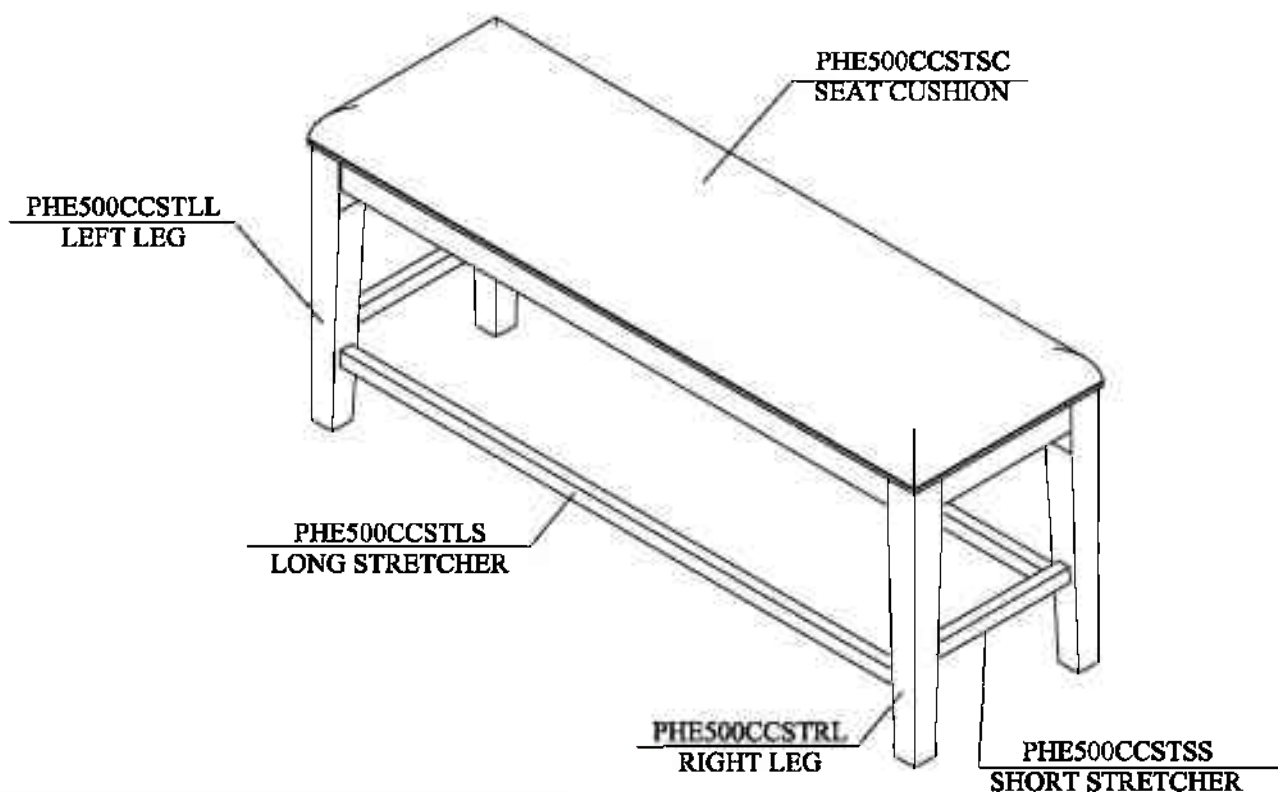
(A) SEAT CUSHION (1PC)	(B) RIGHT LEG (2PCS)	(C) LEFT LEG (2PCS)	(D) LONG STRETCHER (2PCS)	(E) SHORT STRETCHER (2PCS)
				

HARDWARE PACK # : PHE500CCSTH

NO.	DESCRIPTION		DIMENSION	Q' TY
1	SPRING WASHER		Ø5/16"x13x1.2mm	8PCS
2	FLAT WASHER		Ø5/16"x19x1.8mm	8PCS
3	HEX UNT		Ø 5/16"	8PCS
4	WRENCH		12MM	1PC
5	SCREW		8x45mm	8PCS

PARTS FOR HE500CCST

COMPLETE HARDWARE # : PHE500CCSTH


FABRIC CONTENT : POLYESTER 100%

This fabric is not machine washable.

Allow +/-3% residual shrinkage

Do not use cleaning products containing brightening agents

Do not mix fabric of different colors.

The fabric is suitable for drapery and upholstery



PRODUCT DETAILS

BENCH SEAT
LEG FRAME
PRODUCT SIZE
CARTON SIZE
NET WEIGHT
GROSS WEIGHT
CU.FT

PLYWOOD
RUBBER
54" x 17" x 24" H
56.5" x 19.25" x 6.5" H
29.7 LBS
36.3 LBS
4.09'