



# Item # HA250S Cassidy Sofa Table 50" x 18" x 28-1/4"H

Your furniture purchase is an investment. Furniture can last lifetimes, with a minimal amount of effort. Here are a few tips to properly care for your furniture, ensuring that it looks great year after year.

### Wood Furniture Maintenance:

- Always dust, wipe, and clean with the grain of the wood.
- Dust with a soft cloth. Dust will scratch the furniture surface if not removed properly.
- Use the same type of polish consistently as interchanging oil-based and wax-based polishes will cause a build-up and result in a foggy or cloudy appearance.
- If a polished surface becomes foggy, rub it with a cloth dipped in a solution of one tablespoon vinegar to one quart of water. Rub softly with the grain until the surface is completely dry.
- Soap and water are not advisable for wood surfaces. Water can penetrate the finish and raise the grain on wood, causing damage.
- Remember to change dusting cloths frequently as dirty cloths may scratch your furniture's surface.

### The Enemies of Wood:

- Moisture is wood's worst enemy. Liquid spills should be gently wiped up immediately. Coasters should be used under all beverages.
- Do not allow rubber or vinyl materials to lie on the furniture. Chemicals in rubber may leave a stain. Put a strip of felt or leather under accessories that have rubber or vinyl.
- Heat creates a chemical change in the furniture's finish, which results in a white spot. Use protective pads under hot dishes, appliances, etc.
- Sunlight's ultraviolet rays can damage the finish of furniture. Do not place furniture directly against a heater or radiator and do not place in the path of hot streams of air from central heating. This will cause extreme localized drying of the wood.

### High Gloss Resin Table Maintenance:

- Resin tabletops have approximately 1/8" of a resin coat on the top face of the table, which will resist ice, water, wine, liquor, food, cleaning fluids, and warm or hot liquids; however, cups, glasses, etc. containing hot liquids should not be left on the table without a coaster for protection.
- Resin tabletops will scratch just the same as any other glossy surface and basic precautions should be taken.
- For lasting shine, the resin table should be waxed with a car wax that does not contain silicon. Maintaining this wax build-up will result in a high gloss shine.
- When wiping down the table, a soft, clean rag should be used. Do not use a heavy paper.

### Granite Top Maintenance:







The surface of the granite on your table has been polished or sealed to create generally non-porous surface. The stone has many natural characteristics including: veining, hairline cracks, and color variations - which make up the beauty.

To maintain the beauty of your granite:

- Protect surfaces from scratching, staining and etching by:
  - \* Keeping them free of debris or sharp objects
  - \* Wiping up spills immediately
  - \* Avoiding contact with chemicals (particularly acid-based materials)
- Clean with pH neutral products or those especially formulated for use on stone
- It is not recommended to use a water-based solvent for dark granite as it will remove the polish from the surface.

### Caring for the Fabric on Upholstered Furniture:

- Frequent vacuuming of the entire upholstered area will prevent dust from settling into the fibers.
- Professional cleaning is always recommended for all upholstered pieces.
- Always pre-test a small area of fabric in an inconspicuous area when cleaning before proceeding.
- Do not use cleaning products containing brightening agents.

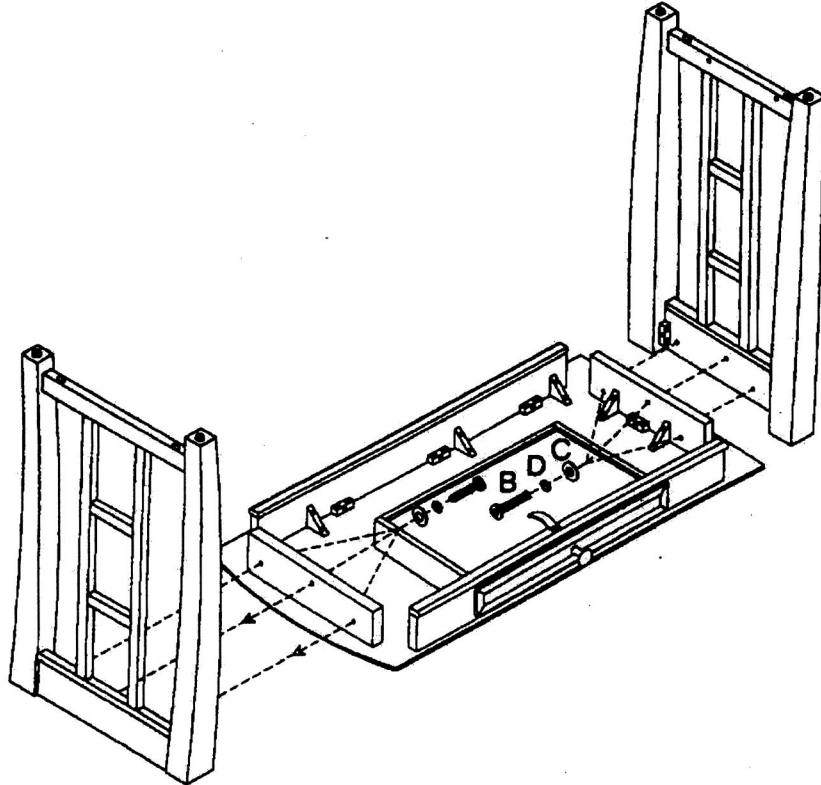
VERY IMPORTANT!!					
<b>NEVER</b> USE GLASS CLEANERS ON FINISHED SURFACES AMMONIA WILL CHEMICALLY ATTACK THE FINISH	<b>DO NOT WRITE DIRECTLY ON SURFACE</b>  <b>PREVENT MARKING</b>	<b>DO NOT PLACE DIRECTLY IN SUNLIGHT</b>  <b>PREVENT FADING</b>	<b>DO NOT USE PLACEMATS WITH RUBBER BASES</b>  <b>PREVENT DISCOLORING</b>		
<b>NEVER</b> ALLOW LIQUIDS OF ANY KIND TO LINGER ON SURFACES ABSORPTION CAUSES THE WOOD TO WARP AND THE FINISH TO DE-LAMINATE	<b>DO NOT USE COMMERCIAL POLISHES AND WAXES</b>  <b>PREVENT YELLOWING</b>	<b>DO NOT PLACE HOT POTS, ETC. ON SURFACE</b>  <b>PREVENT DAMAGE TO FINISH!</b>	<b>REGULATE THE HUMIDITY CONDITIONS AT YOUR HOME</b>  <b>PREVENT SPLITTING</b>		

# HA250S

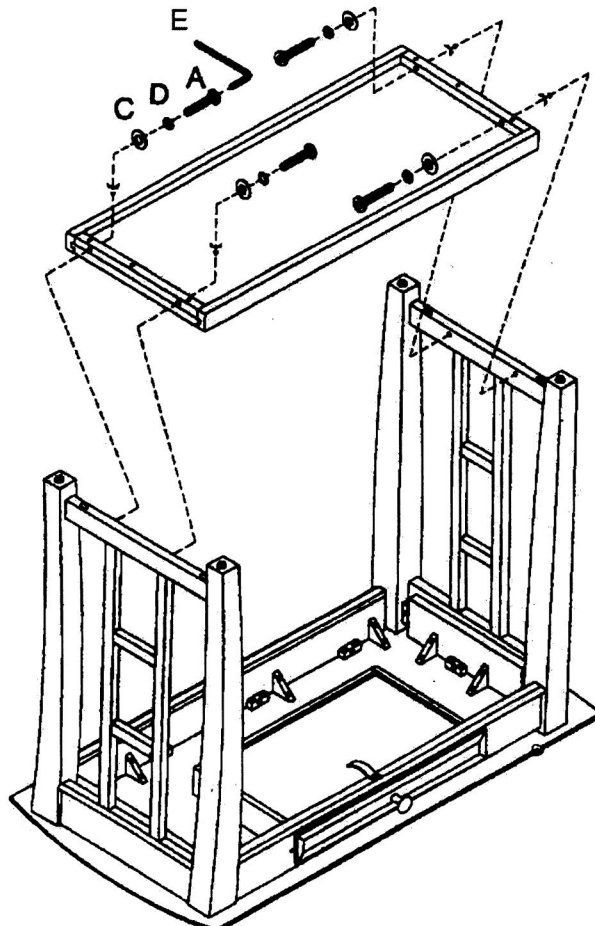
## Assembly Instructions

**\*Do not tighten screws & bolts until the entire units is completed assembly.**

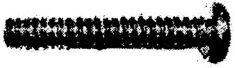




### STEP 1



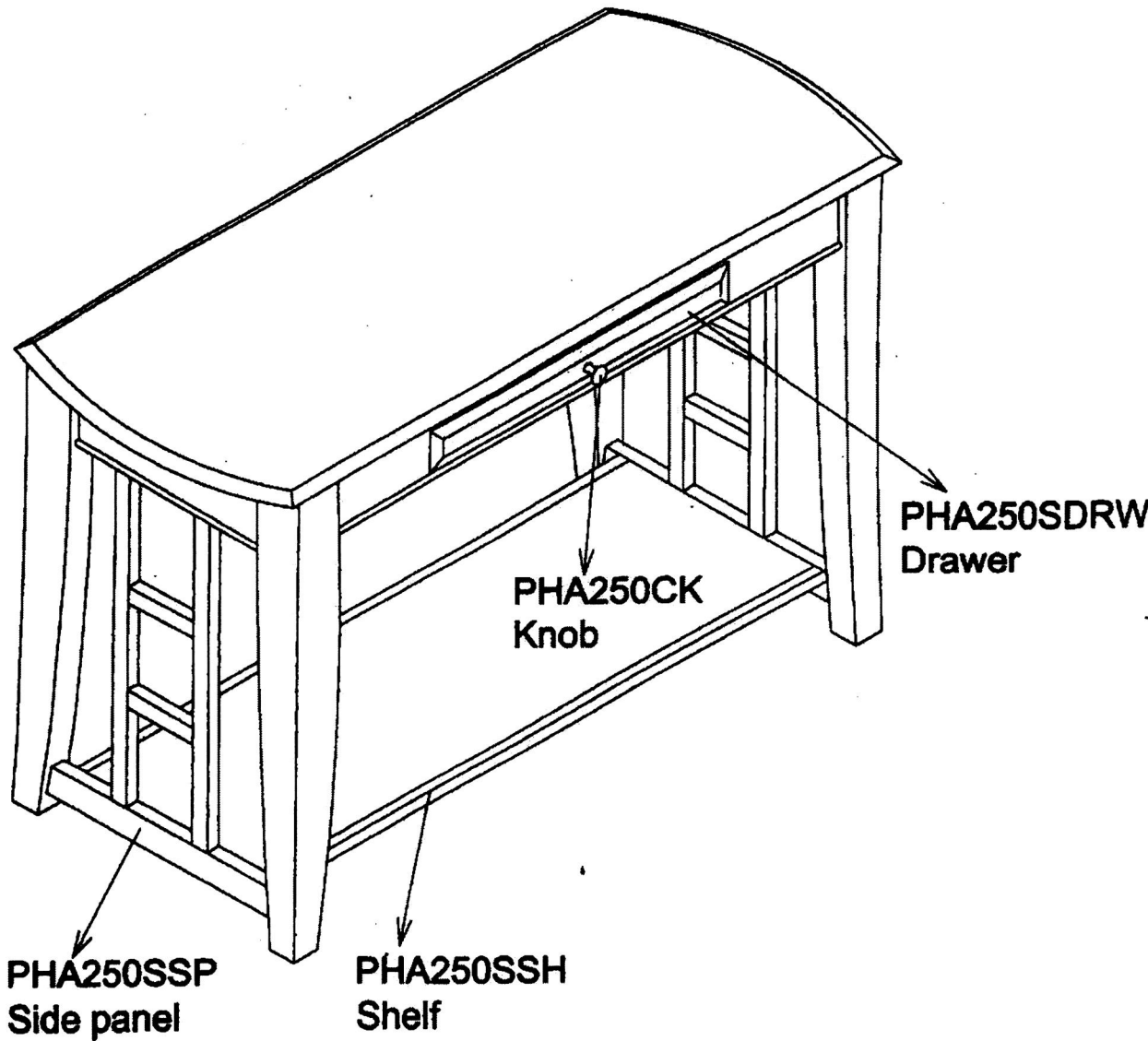
### STEP 2



# Hardware pack # PHA250CH

A		4 pcs	1/4"X 1/2"
B		6 pcs	1/4"X 1/4"
C		10pcs	1/4"
D		10pcs	1/4"X1.5mm
E		1pc	4mm

# Parts for HA250S Complete Hardware # PHA250CH



PRODUCT DETAILS	
TOP	FINISH ON MDF
APRON	FINISH ON MDF / PB
FRONT PANEL OF DRAWER	FINISH ON MDF
BOTTOM SHELF	FINISH ON PB
LEG	POPLAR
PRODUCT SIZE	50" x 18" x 28-1/4"H
CARTON SIZE	58" x 20" x 9"H
NET WEIGHT	50.38 LBS
GROSS WEIGHT	57.42 LBS
CU.FT	6.1

**MADE IN CHINA**