



ITEM#: EC100WEC  
 Echo White Marble Top  
 Chairside End Table  
 20" x 10" x 24"

Your furniture purchase is an investment. Here are a few tips to maximize the lifetime of your furniture with a minimal amount of effort. Properly caring for your furniture can help ensure that it looks great year after year.

Wood Furniture Maintenance:

- Always dust, wipe, and clean with the grain of the wood.
- Dust with a soft cloth. Dust will scratch the furniture surface if not removed properly.
- If a polished surface becomes cloudy, rub it with a cloth dipped in a solution of one tablespoon vinegar to one quart of water. Rub softly with the grain until the surface is completely dry.
- Soap and water are not advisable for wood surfaces. Water can penetrate the finish and raise the grain on wood, causing damage.
- Remember to change dusting cloths frequently as dirty cloths may scratch your furniture's surface.

The Enemies of Wood:

- Moisture is wood's worst enemy. Liquid spills should be gently wiped up immediately. Coasters should be used under all beverages.
- Do not allow rubber or vinyl materials to lie on the furniture. Chemicals in rubber may leave a stain. Put a strip of felt or leather under accessories that have rubber or vinyl.
- Heat creates a chemical change in the furniture's finish, which may result in a white spot. Use protective pads under hot dishes, appliances, etc.
- Sunlight's ultraviolet rays can damage the finish of furniture. Do not place furniture directly against a heater or radiator and do not place in the path of hot streams of air from central heating. This will cause extreme localized drying of the wood.

Marble Top Maintenance:

The surface of the marble on your table has been polished and sealed to create a generally non-porous surface. The stone has many natural characteristics including veining, hairline cracks, and color variations, which make up the stone's beauty.

To maintain the beauty of your marble:

- Protect surfaces from scratching, staining and etching by:
  - Keeping them free of debris or sharp objects.
  - Wiping up spills immediately
  - Avoiding contact with chemicals (particularly acid-based materials)
- Clean with PH neutral products or those especially formulated for use on stone.
- It is not recommended to use a water-based solvent for dark marble as it will remove the polish from the surface.

Caring for the Fabric on Upholstered Furniture:

- Frequent vacuuming of the entire upholstered area will prevent dust from settling into the fibers.
- Professional cleaning is always recommended for all upholstered pieces.
- Do not use cleaning products containing brightening agents.

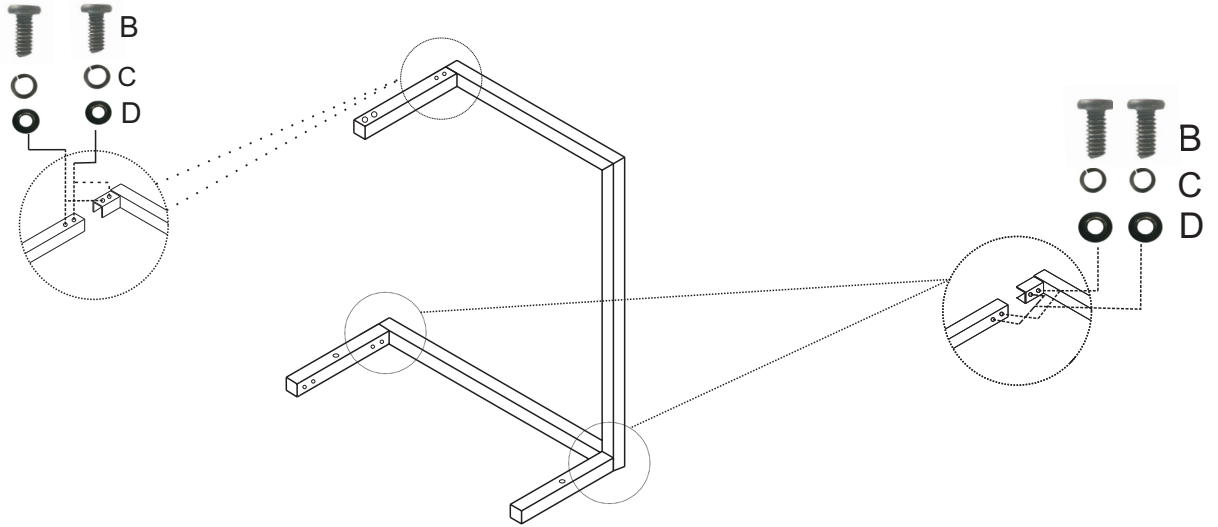
VERY IMPORTANT!!			
<p><b>NEVER</b>            USE GLASS CLEANERS            ON FINISHED SURFACES.            AMMONIA WILL            CHEMICALLY ATTACK            THE FINISH.</p>	<p>DO NOT            WRITE            DIRECTLY            ON            SURFACE</p>  <p>PREVENT            MARKING</p>	<p>DO NOT            PLACE            DIRECTLY            IN            SUNLIGHT</p>  <p>PREVENT            FADING</p>	<p>DO NOT            USE            PLACEMATS            WITH            RUBBER            BASES</p>  <p>PREVENT            DISCOLORING</p>
<p><b>NEVER</b>            ALLOW LIQUIDS OF ANY            KIND TO LINGER ON            SURFACES. ABSORPTION            CAUSES THE WOOD TO            WARP AND THE FINISH            TO DE-LAMINATE.</p>	<p>DO NOT USE            COMMERCIAL            POLISHES            AND WAXES</p>  <p>PREVENT            YELLOWING</p>	<p>DO NOT            PLACE HOT            POTS, ETC            ON            SURFACE</p>  <p>PREVENT            DAMAGE TO            FINISH!</p>	<p>REGULATE            THE            HUMIDITY            CONDITIONS            AT YOUR            HOME</p>  <p>PREVENT            SPLITTING</p>

# ITEM#EC100WEC

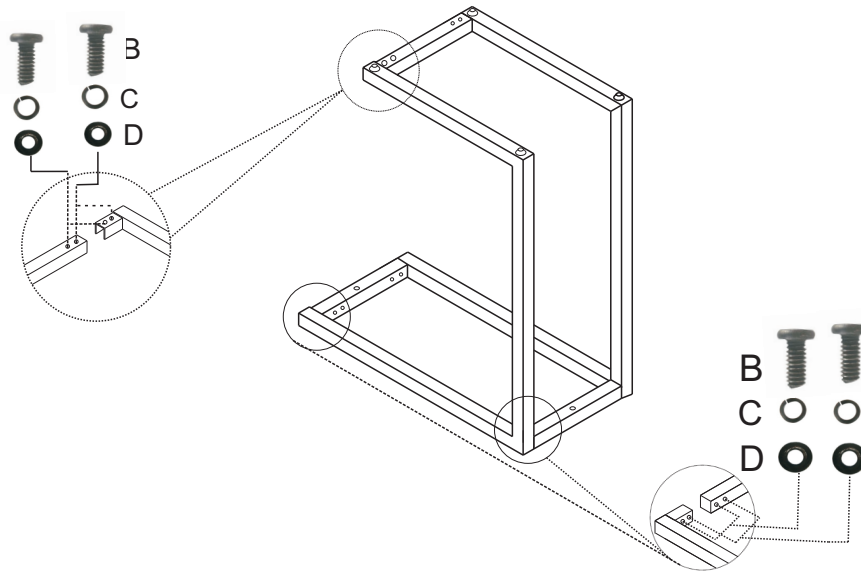
## Assembly Instruction

\*Do not tighten screws / bolts until the entire item is completely assembled.

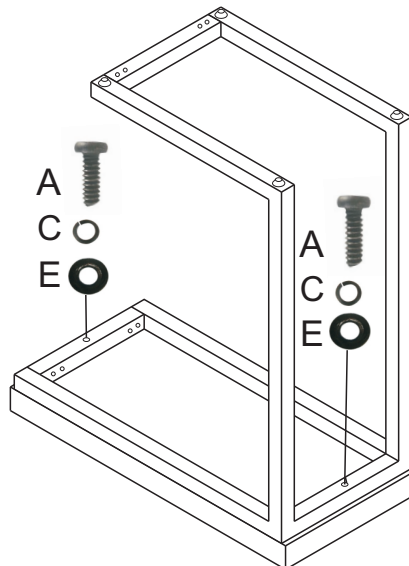
STEP 1









STEP 2



STEP 3

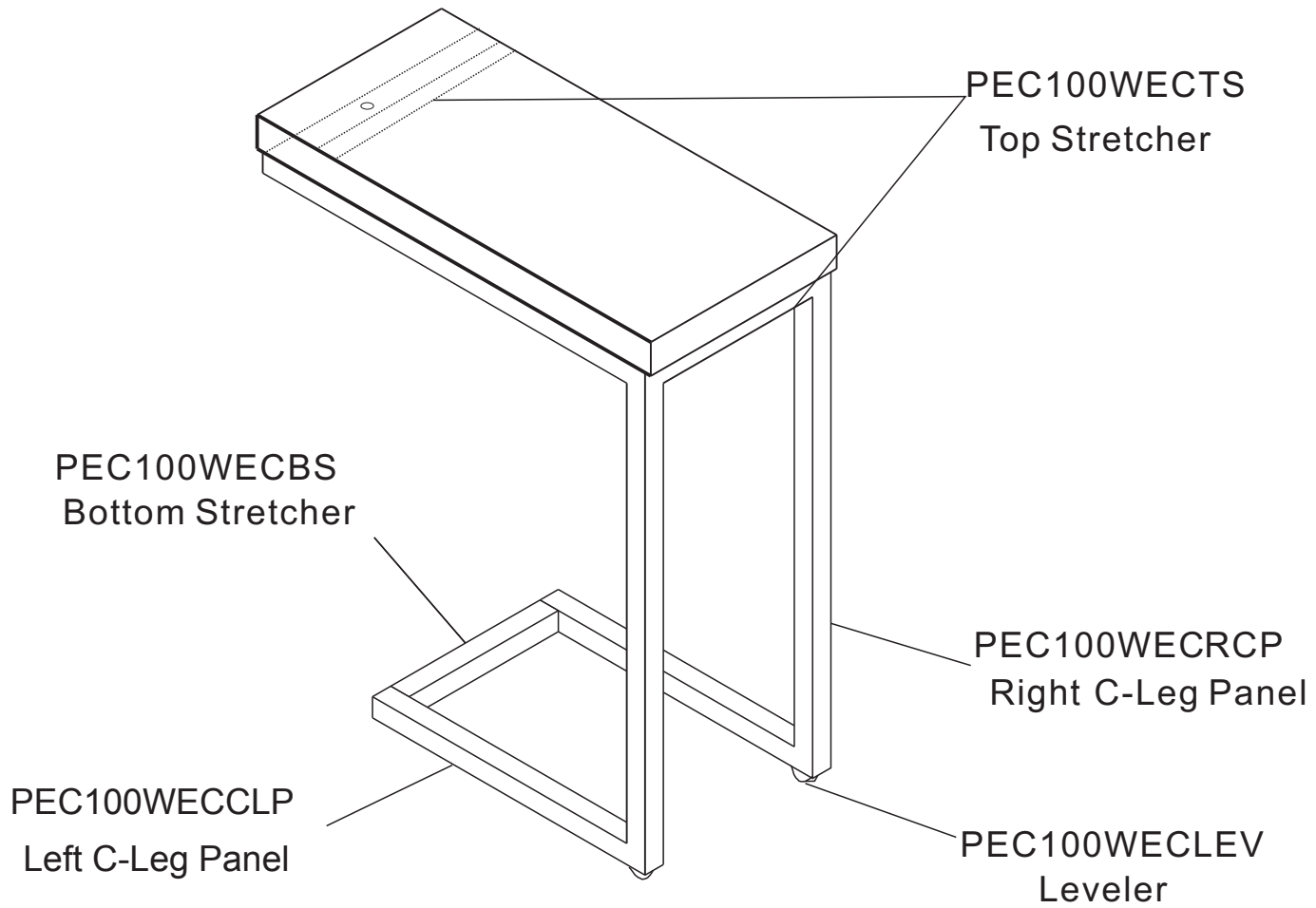


# Hardware Pack #:PEC100WECH

A		2pcs	1/4" X40mm
B		12pcs	1/4" X40mm
C		14pcs	Ø 6.5mm x Ø 11mm
D		12pcs	Ø 6.5mm x12mm
E		2pc	Ø 6.5mm x16mm
F		1pc	4mm

# Parts for EC100WEC

Complete Hardware #: PEC100WECH



PRODUCT DETAILS	
TOP	WHITE MARBLE
MARBLE THICKNESS	1.18"
LEG PANEL & STRETCHER	CHROME
LEVELER	PLASTIC
PRODUCT SIZE	20" x 10" x 24"
CARTON SIZE	25.5"X23"X4"
NET WEIGHT	15.98LBS
GROSS WEIGHT	20.6LBS
CU. FT.	1.36'

MADE IN CHINA