



ITEM # : DX300CL  
 Dexter Lift Top Cocktail Table  
 48" x 26" x 18"(26")

Your furniture purchase is an investment. Here are a few tips to maximize the lifetime of your furniture with a minimal amount of effort. Properly caring for your furniture can help ensure that it looks great year after year.

**Wood Furniture Maintenance:**

- Always dust, wipe, and clean with the grain of the wood.
- Dust with a soft cloth. Dust will scratch the furniture surface if not removed properly.
- If a polished surface becomes foggy, rub it with a cloth dipped in a solution of one tablespoon vinegar to one quart of water. Rub softly with the grain until the surface is completely dry.
- Soap and water are not advisable for wood surfaces. Water can penetrate the finish and raise the grain on wood, causing damage.
- Remember to change dusting cloths frequently as dirty cloths may scratch your furniture's surface.

**The Enemies of Wood:**

- Moisture is wood's worst enemy. Liquid spills should be gently wiped up immediately. Coasters should be used under all beverages.
- Do not allow rubber or vinyl materials to lie on the furniture. Chemicals in rubber may leave a stain. Put a strip of felt or leather under accessories that have rubber or vinyl.
- Heat creates a chemical change in the furniture's finish, which result in a white spot. Use protective pads under hot dishes, appliances, etc.
- Sunlight's ultraviolet rays can damage the finish of furniture. Do not place furniture directly against a heater or radiator and do not place in the path of hot streams of air from central heating. This will cause extreme localized drying of the wood.

**Marble Top Maintenance:**

The surface of the marble on your table has been polished and sealed to create a generally non-porous surface. The stone has many natural characteristics including veining, hairline cracks, and color variations, which make up the stone's beauty.

To maintain the beauty of your marble:

- Protect surfaces from scratching, staining and etching by:
  - Keeping them free of debris or sharp objects.
  - Wiping up spills immediately
  - Avoiding contact with chemicals (particularly acid-based materials)
- Clean with PH neutral products or those especially formulated for use on stone.
- It is not recommended to use a water-based solvent for dark marble as it will remove the polish from the surface.

**Caring for the Fabric on Upholstered Furniture:**

- Frequent vacuuming of the entire upholstered area will prevent dust from settling into the fibers.
- Professional cleaning is always recommended for all upholstered pieces.
- Do not use cleaning products containing brightening agents.

<b>VERY IMPORTANT!!</b>			
<p><b>NEVER</b>            USE GLASS CLEANERS            ON FINISHED SURFACES.            AMMONIA WILL            CHEMICALLY ATTACK            THE FINISH.</p>	<p>DO NOT            WRITE            DIRECTLY            ON            SURFACE</p>  <p><b>PREVENT            MARKING</b></p>	<p>DO NOT            PLACE            DIRECTLY            IN            SUNLIGHT</p>  <p><b>PREVENT            FADING</b></p>	<p>DO NOT            USE            PLACEMATS            WITH            RUBBER            BASES</p>  <p><b>PREVENT            DISCOLORING</b></p>
<p><b>NEVER</b>            ALLOW LIQUIDS OF ANY            KIND TO LINGER ON            SURFACES. ABSORPTION            CAUSES THE WOOD TO            WARP AND THE FINISH            TO DE-LAMINATE.</p>	<p>DO NOT USE            COMMERCIAL            POLISHES            AND WAXES</p>  <p><b>PREVENT            YELLOWING</b></p>	<p>DO NOT            PLACE HOT            POTS, ETC            ON            SURFACE</p>  <p><b>PREVENT            DAMAGE TO            FINISH!</b></p>	<p>REGULATE            THE            HUMIDITY            CONDITIONS            AT YOUR            HOME</p>  <p><b>PREVENT            SPLITTING</b></p>

# DX300CL

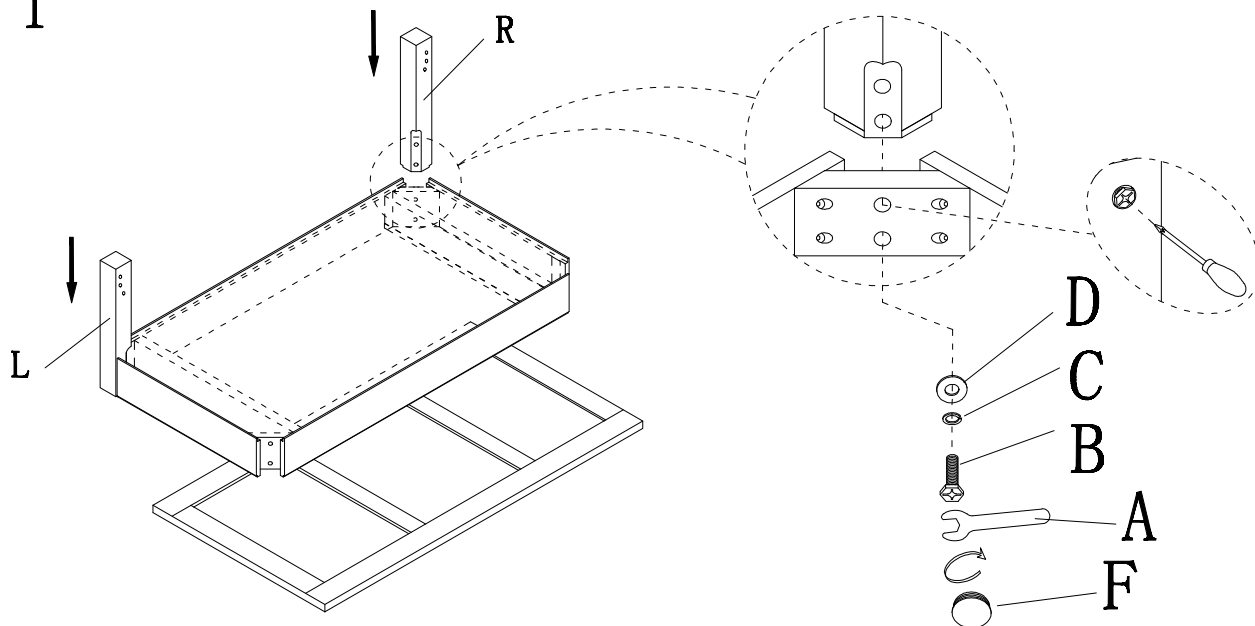
## Assembly Instructions

Put all screws in loosely at first

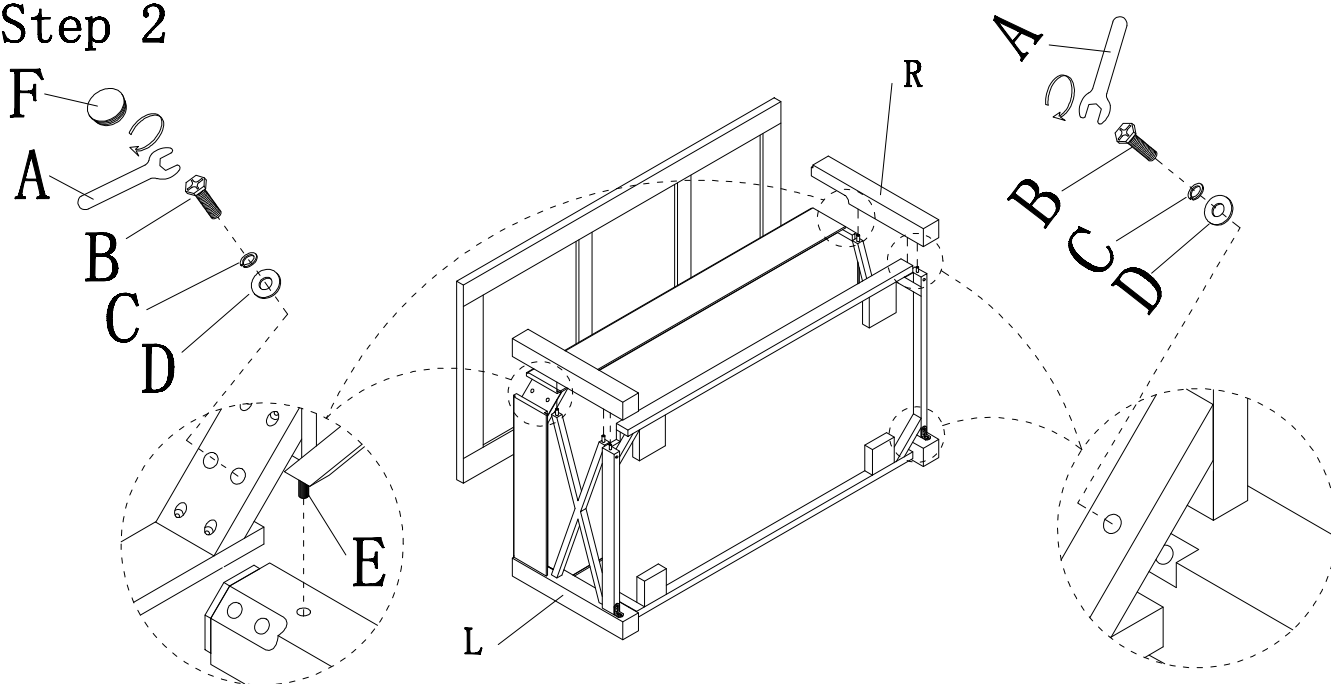
Do not fully tighten screws & bolts until the entire item is completely assembled

Note: More than 2 people assemble required

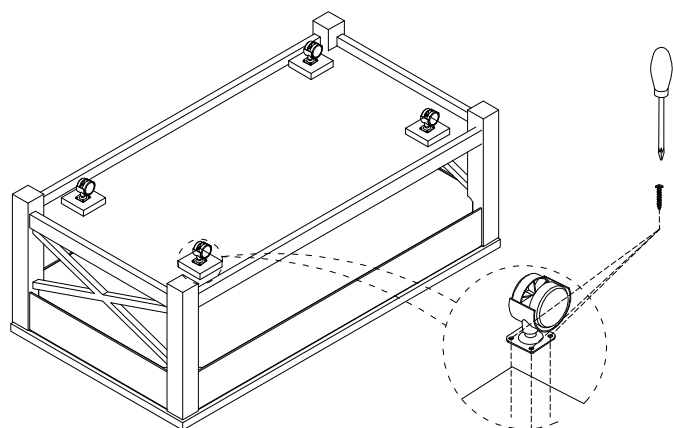
### Step 1



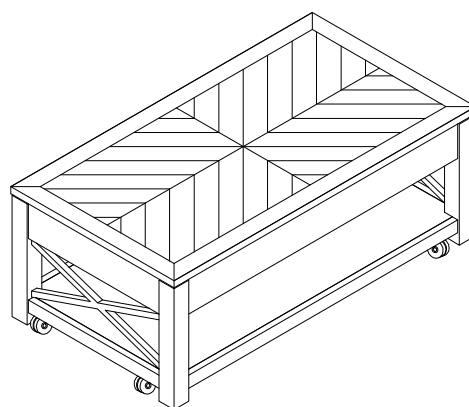
### Step 2









### Step 3



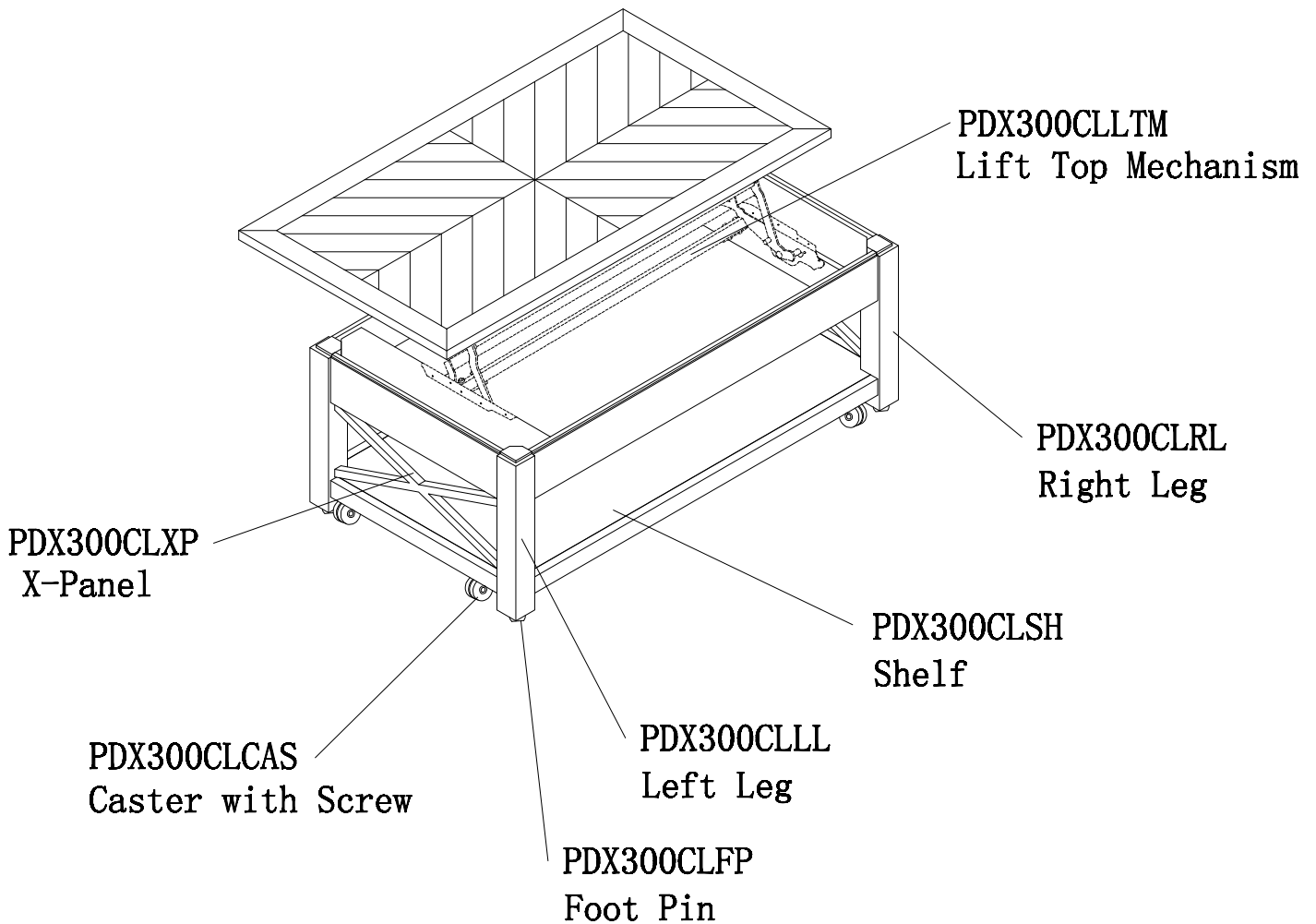
### Step 4



## Hardware Pack:#PDX300CLH

NO	DESCRIPTION	Q' TY	DIMENSION
A		1PC	10mm
B		12PCS	1/4"-20 X2"
C		12PCS	1/4"
D		12PCS	1/4"X16mm
E		8PCS	Ø8X30mm
F		8PCS	Ø22mm (Ø19mm) X6mm

Parts for DX300CL  
Complete Hardware#:PDX300CLH



Top , Apron, Shelf	MDF with Pine Veneer and Pine
Caster, Foot Pin	Plastic with Iron
Leg	Pine Wood
Lift Top Mechanism	Iron
X-Panel	Poplar
Product Size	48"X26"X18" (26")
Carton Size	51.25"X28.25"X10"
Net Weight	96.0 LBS
Gross Weight	108.9 LBS
CU. FT.	8.38'

MADE IN CHINA