



ITEM # : DN100C  
Duncan Cocktail Table  
35" x 35" x 18"

Your furniture purchase is an investment. Here are a few tips to maximize the lifetime of your furniture with a minimal amount of effort. Properly caring for your furniture can help ensure that it looks great year after year.

**Wood Furniture Maintenance:**

- Always dust, wipe, and clean with the grain of the wood.
- Dust with a soft cloth. Dust will scratch the furniture surface if not removed properly.
- If a polished surface becomes foggy, rub it with a cloth dipped in a solution of one tablespoon vinegar to one quart of water. Rub softly with the grain until the surface is completely dry.
- Soap and water are not advisable for wood surfaces. Water can penetrate the finish and raise the grain on wood, causing damage.
- Remember to change dusting cloths frequently as dirty cloths may scratch your furniture's surface.

**The Enemies of Wood:**

- Moisture is wood's worst enemy. Liquid spills should be gently wiped up immediately. Coasters should be used under all beverages.
- Do not allow rubber or vinyl materials to lie on the furniture. Chemicals in rubber may leave a stain. Put a strip of felt or leather under accessories that have rubber or vinyl.
- Heat creates a chemical change in the furniture's finish, which result in a white spot. Use protective pads under hot dishes, appliances, etc.
- Sunlight's ultraviolet rays can damage the finish of furniture. Do not place furniture directly against a heater or radiator and do not place in the path of hot streams of air from central heating. This will cause extreme localized drying of the wood.

**Marble Top Maintenance:**

The surface of the marble on your table has been polished and sealed to create a generally non-porous surface. The stone has many natural characteristics including veining, hairline cracks, and color variations, which make up the stone's beauty.

To maintain the beauty of your marble:

- Protect surfaces from scratching, staining and etching by:
  - Keeping them free of debris or sharp objects.
  - Wiping up spills immediately
  - Avoiding contact with chemicals (particularly acid-based materials)
- Clean with PH neutral products or those especially formulated for use on stone.
- It is not recommended to use a water-based solvent for dark marble as it will remove the polish from the surface.

**Caring for the Fabric on Upholstered Furniture:**

- Frequent vacuuming of the entire upholstered area will prevent dust from settling into the fibers.
- Professional cleaning is always recommended for all upholstered pieces.
- Do not use cleaning products containing brightening agents.

| <b>VERY IMPORTANT!!</b>   |   |  |  |
|---|---|--|--|
| <b>NEVER</b><br>USE GLASS CLEANERS<br>ON FINISHED SURFACES.<br>AMMONIA WILL<br>CHEMICALLY ATTACK<br>THE FINISH.                                   | DO NOT<br>WRITE<br>DIRECTLY<br>ON<br>SURFACE <br><b>PREVENT<br/>MARKING</b>        | DO NOT<br>PLACE<br>DIRECTLY<br>IN<br>SUNLIGHT <br><b>PREVENT<br/>FADING</b>                    | DO NOT<br>USE<br>PLACEMATS<br>WITH<br>RUBBER<br>BASES <br><b>PREVENT<br/>DISCOLORING</b>      |
| <b>NEVER</b><br>ALLOW LIQUIDS OF ANY<br>KIND TO LINGER ON<br>SURFACES. ABSORPTION<br>CAUSES THE WOOD TO<br>WARP AND THE FINISH<br>TO DE-LAMINATE. | DO NOT USE<br>COMMERCIAL<br>POLISHES<br>AND WAXES <br><b>PREVENT<br/>YELLOWING</b> | DO NOT<br>PLACE HOT<br>POTS, ETC<br>ON<br>SURFACE <br><b>PREVENT<br/>DAMAGE TO<br/>FINISH!</b> | REGULATE<br>THE<br>HUMIDITY<br>CONDITIONS<br>AT YOUR<br>HOME <br><b>PREVENT<br/>SPLITTING</b> |

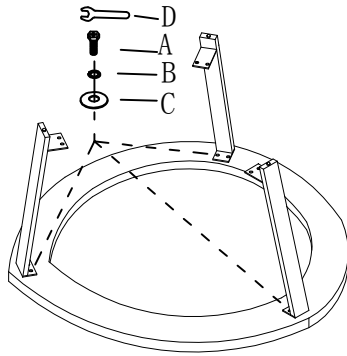
# DN100C Assembly Instructions

Put all screws in loosely at first

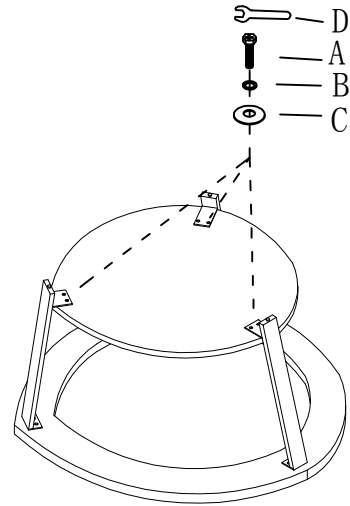
Do not fully tighten screws & bolts until the entire item is completely assembled

Note: More than 2 peoples assemble required

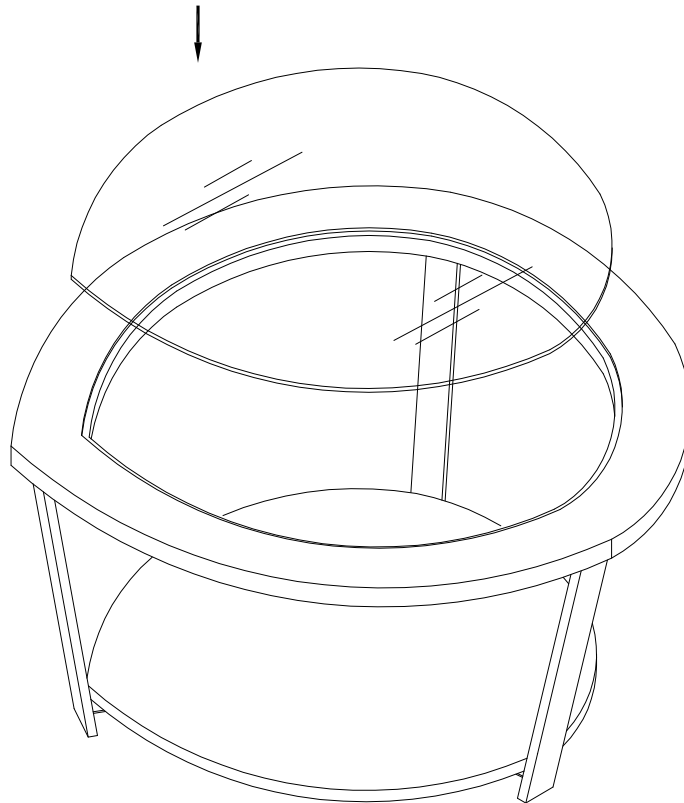
## Step 1







## Step 2



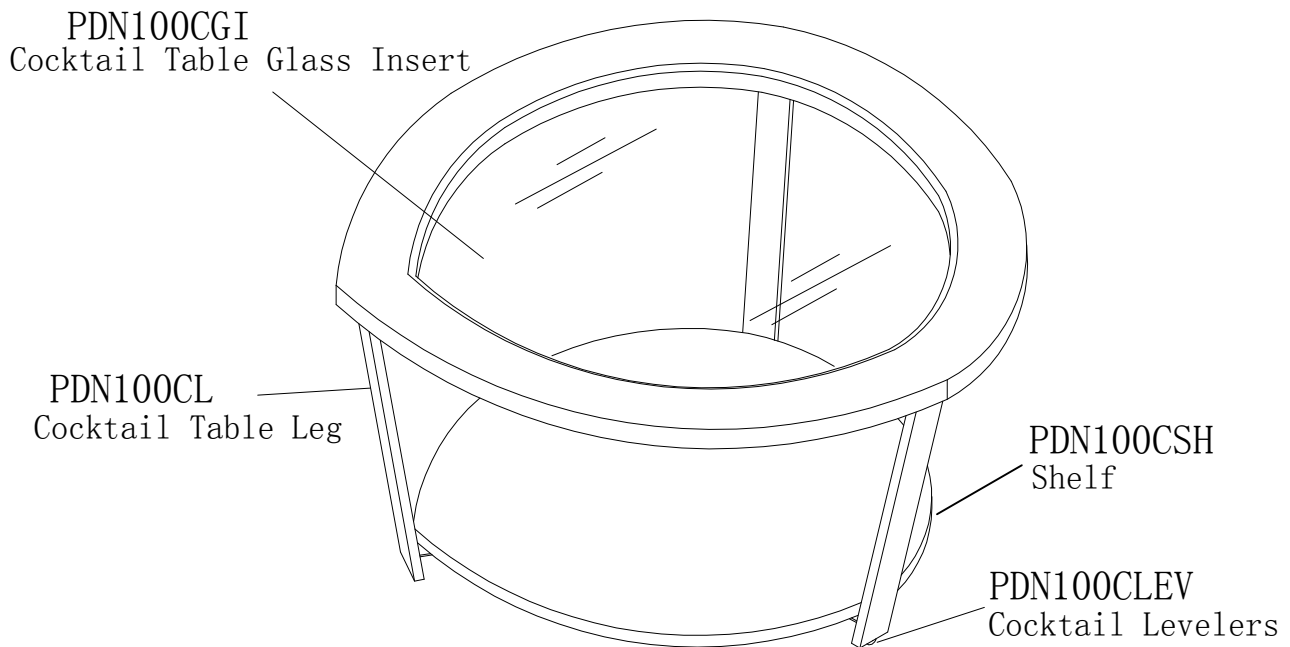
## Step 3



Hardware Pack : #PDN100CH

| NO | DESCRIPTION  | Q' TY | DIMENSION |
|----|--|-------|-----------|
| A  |   | 12PCS | 1/4"*1/2" |
| B  |   | 12PCS | 1/4"      |
| C  |   | 12PCS | 1/4"*16mm |
| D  |  | 1PC   | 4mm       |

Parts for DN100C  
Complete Hardware#:PDN100CH



|              |                           |
|--------------|---------------------------|
| Top, Shelf   | MDF With Birch Veneer     |
| Leg          | Stainless Steel           |
| Glass        | Tempered Glass707*694*5mm |
| Product Size | C:35"X35"X18"             |
| Carton Size  | 40.5"X37"X4.5"            |
| Net Weight   | 34.5LBS                   |
| Gross Weight | 39.5LBS                   |
| CU. FT.      | 3.91'                     |

MADE IN CHINA