



Item # : DL250CBN

P.1/7

Description : Diletta Cocktail Table W/Foosball

Product Size : W 45"XD 28"XH 20"

Your furniture purchase is an investment. Here are a few tips to maximize the lifetime of your furniture with a minimum amount of effort. Properly caring for your furniture can help ensure that it looks great year after year.

**Wood Furniture Maintenance:**

- Always dust, wipe, and clean *with* the grain of the wood.
- Dust with a soft cloth. Dust will scratch the furniture surface if not removed properly.
- Use the same type of polish consistently as interchanging oil-based and wax-based polishes will cause a build-up and result in a foggy or cloudy appearance.
- If a polished surface becomes foggy, rub it with a cloth dipped in a solution of one tablespoon vinegar to one quart of water. Rub softly with the grain until the surface is completely dry.
- Soap and water are not advisable for wood surfaces. Water can penetrate the finish and raise the grain on wood, causing damage.
- Remember to change dusting cloths frequently as dirty cloths may scratch your furniture's surface.

**The Enemies of Wood:**

- Moisture is wood's worst enemy. Liquid spills should be gently wiped up immediately. Coasters should be used under all beverages.
- Do not allow rubber or vinyl materials to lie on the furniture. Chemicals in rubber may leave a stain. Put a strip of felt or leather under accessories that have rubber or vinyl.
- Heat creates a chemical change in the furniture's finish, which results in a white spot. Use protective pads under hot dishes, appliances, etc.
- Sunlight's ultraviolet rays can damage the finish of furniture. Do not place furniture directly against a heater or radiator and do not place in the path of hot streams of air from central heating. This will cause extreme localized drying of the wood.

**High Gloss Resin Table Maintenance:**

- Resin tabletops have approximately 1/8" of a resin coat on the top face of the table, which will resist ice, water, wine, liquor, food, cleaning fluids, and warm or hot liquids; however, cups, glasses, etc. containing hot liquids should not be left on the table without a coaster for protection.
- Resin tabletops will scratch just the same as any other glossy surface and basic precautions should be taken.
- For lasting shine, the resin table should be waxed with a car wax that does not contain silicon. Maintaining this wax build-up will result in a high gloss shine.
- When wiping down the table, a soft, clean rag should be used. Do not use a heavy paper.

**Granite Top Maintenance:**

- The surface of the granite on your table has been polished or sealed to create a generally non-porous surface. The stone has many natural characteristics including: veining, hairline cracks, and color variations - which make up the stone's beauty.
- To maintain the beauty of your granite:
  - Protect surfaces from scratching, staining and etching by:
    - \* Keeping them free of debris or sharp objects
    - \* Wiping up spills immediately
    - \* Avoiding contact with chemicals (particularly acid-based materials) or those especially formulated for use on stone.
  - It is not recommended to use a water-based solvent for dark granite as it will remove the polish from the surface.
  - After a period of use, apply a penetrating sealer to prevent contaminants from being absorbed into the stone.
  - Remove stains with special absorbent poultices formulated for use on stone.
  - Renew the surface on *polished* granite (granite with a high gloss surface) by buffing with special stone polish, powder or cream.
- Do not use granite polish on granite with a matte finish, which has been honed rather than polished. (Penetrating sealer may be used on both polished and honed granite.)





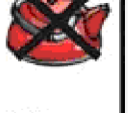

**Marble Top Maintenance:**

- Marble may be stone, but it is porous stone and can stain easily. Treating marble surfaces the same as wood surfaces is a great rule of thumb.
- It is recommended to seal the tops on a regular basis (every 6 to 12 months). A good quality stone sealer can be purchased from any tiles/stone store or any homecare store and should be applied according to the manufacturer's recommendation.
- When sealed properly, marble tops can be used indoors and outdoors and can withstand any weather conditions except internal freezing. Snow or freezing rain will penetrate the table and cause cracks.

**Caring for the Fabric on Upholstered Furniture:**

- Frequent vacuuming of the entire upholstered area will prevent dust from settling into the fibers.
- Professional cleaning is always recommended for all upholstered pieces.
- Always pre-test a small area of fabric in an inconspicuous area when cleaning before proceeding.
- Do not use cleaning products containing brightening agents.

**VERY IMPORTANT!!**

<p><b>NEVER</b> USE GLASS CLEANERS ON FINISHED SURFACES. AMMONIA WILL CHEMICALLY ATTACK THE FINISH.</p>	<p>DO NOT WRITE DIRECTLY ON SURFACE </p> <p><b>PREVENT MARKING</b></p>	<p>DO NOT PLACE DIRECTLY IN SUNLIGHT </p> <p><b>PREVENT FADING</b></p>	<p>DO NOT USE PLACEMATS WITH RUBBER BASES </p> <p><b>PREVENT DISCOLORING</b></p>
<p><b>NEVER</b> ALLOW LIQUIDS OF ANY KIND TO LINGER ON SURFACES. ABSORPTION CAUSES THE WOOD TO WARP AND THE FINISH TO DE-LAMINATE.</p>	<p>DO NOT USE COMMERCIAL POLISHES AND WAXES </p> <p><b>PREVENT YELLOWING</b></p>	<p>DO NOT PLACE HOT POTS, ETC. ON SURFACE </p> <p><b>PREVENT DAMAGE TO FINISH!</b></p>	<p>REGULATE THE HUMIDITY CONDITIONS AT YOUR HOME </p> <p><b>PREVENT SPLITTING</b></p>

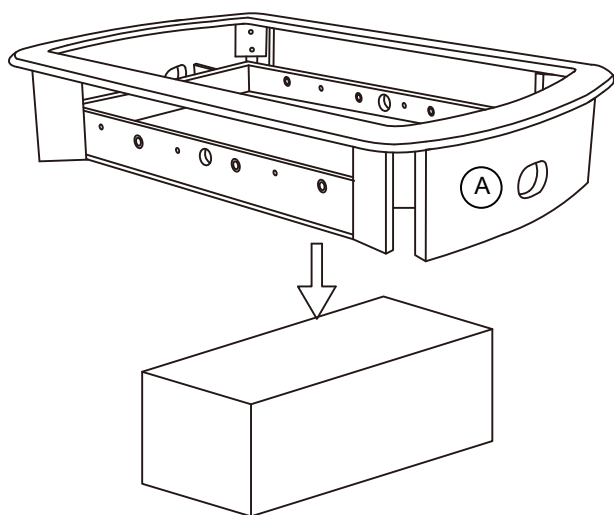
## DL250CBN

## ASSEMBLY INSTRUCTIONS

Two people are recommended to the assembly

## STEP:1

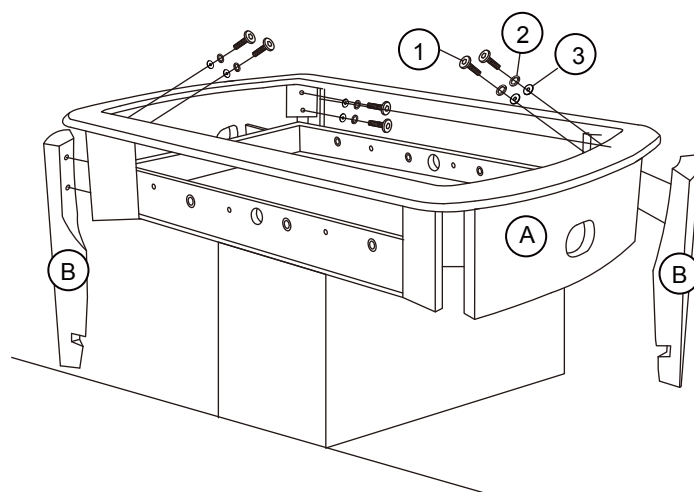
Before you attach the legs, put the Mainframe (#A) onto a raised platform such as a table or box. The legs must not be touching the ground when they are being attached.



## STEP:2

Attach three Legs (#B) to the Mainframe (#A) using 2 Bolt(#1) Lock Washer(#2) and Washer(#3) per leg.

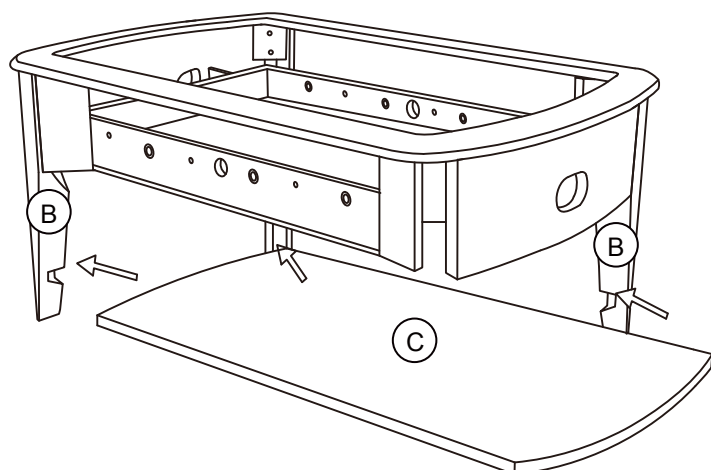
Note: Do not attach the 4th Leg at this stage.  
Note: Do not tighten the screws at this step.



NOTE: Only attach 3 Legs at this stage.

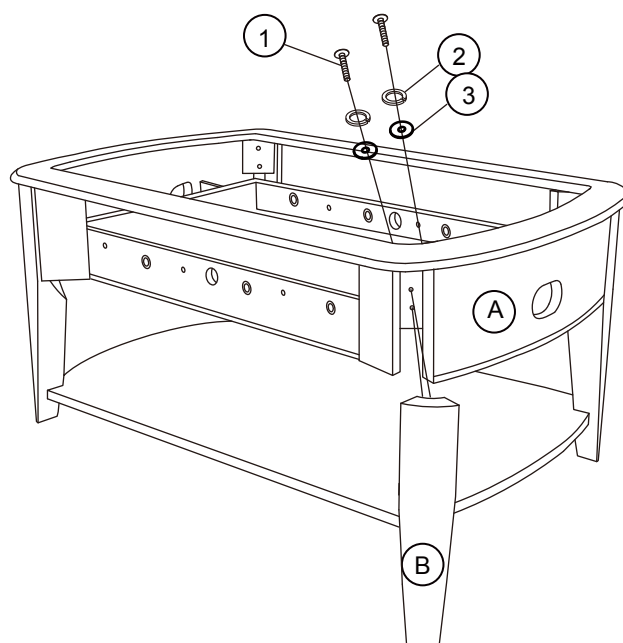
## STEP:3

Remove the Mainframe (#A) from the raised platform and place on the ground. Attach the Bottom Panel (#C) to the 3 attached Legs (#B).



## STEP:4

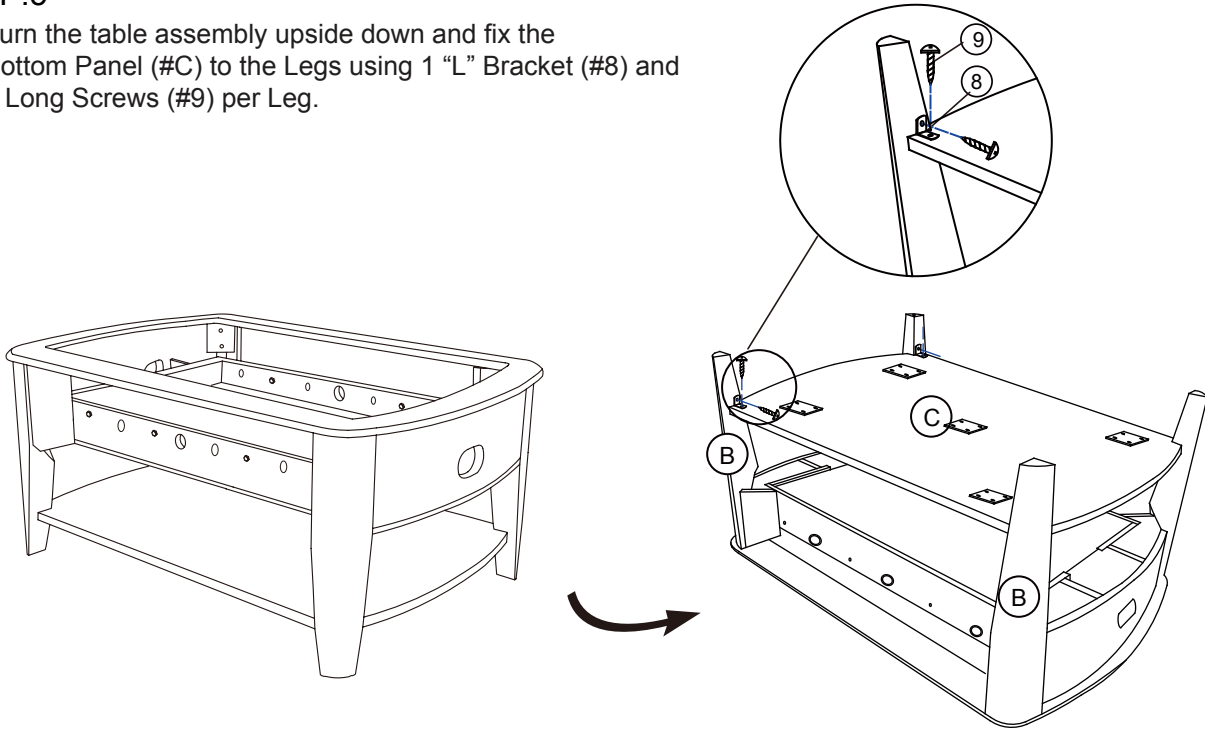
Attach the 4th leg (#B) using 2 Bolt(#1) Lock Washer(#2) and Washer(#3).



# ASSEMBLY INSTRUCTIONS

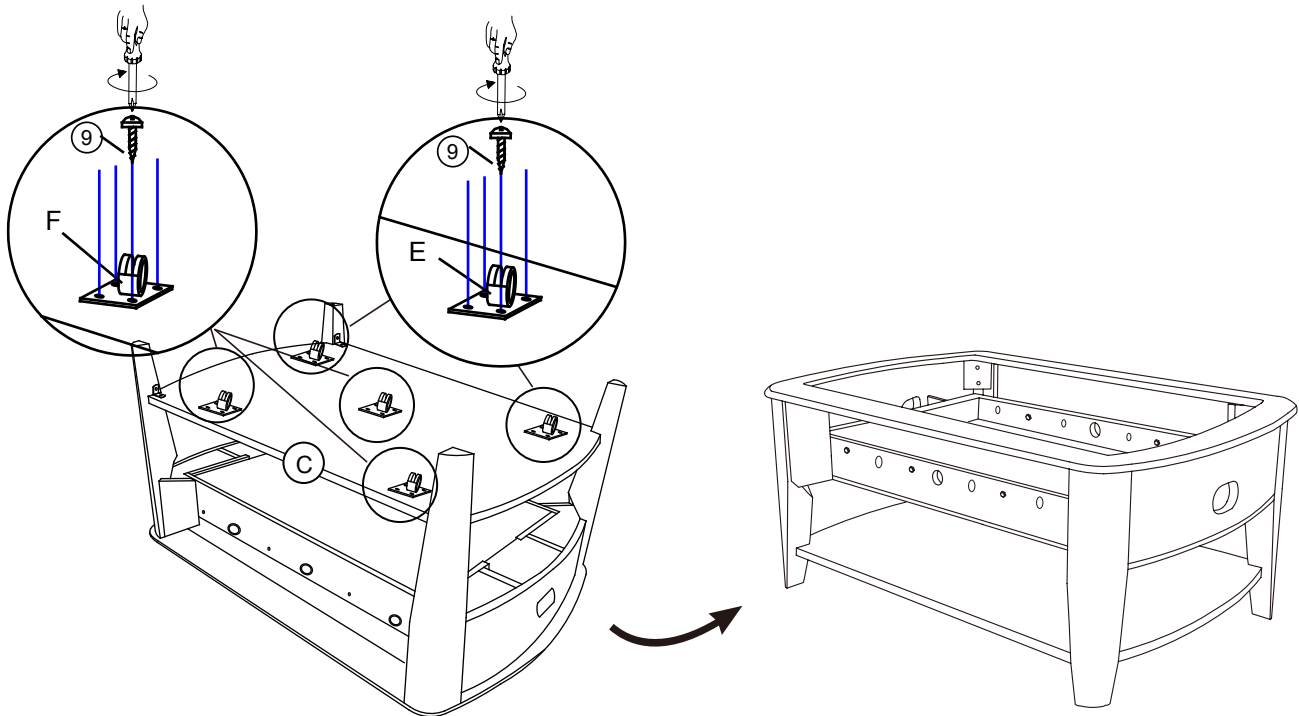
## STEP:5

Turn the table assembly upside down and fix the Bottom Panel (#C) to the Legs using 1 "L" Bracket (#8) and 2 Long Screws (#9) per Leg.



## STEP:6

Attach Caster (2 #E / 3 #F) to the Bottom Panel (#C), secure by inserting Long Screw (#9) and secure with a Philip-head screwdriver (not provided). Turn the table to upright position.



# ASSEMBLY INSTRUCTIONS

## STEP:7

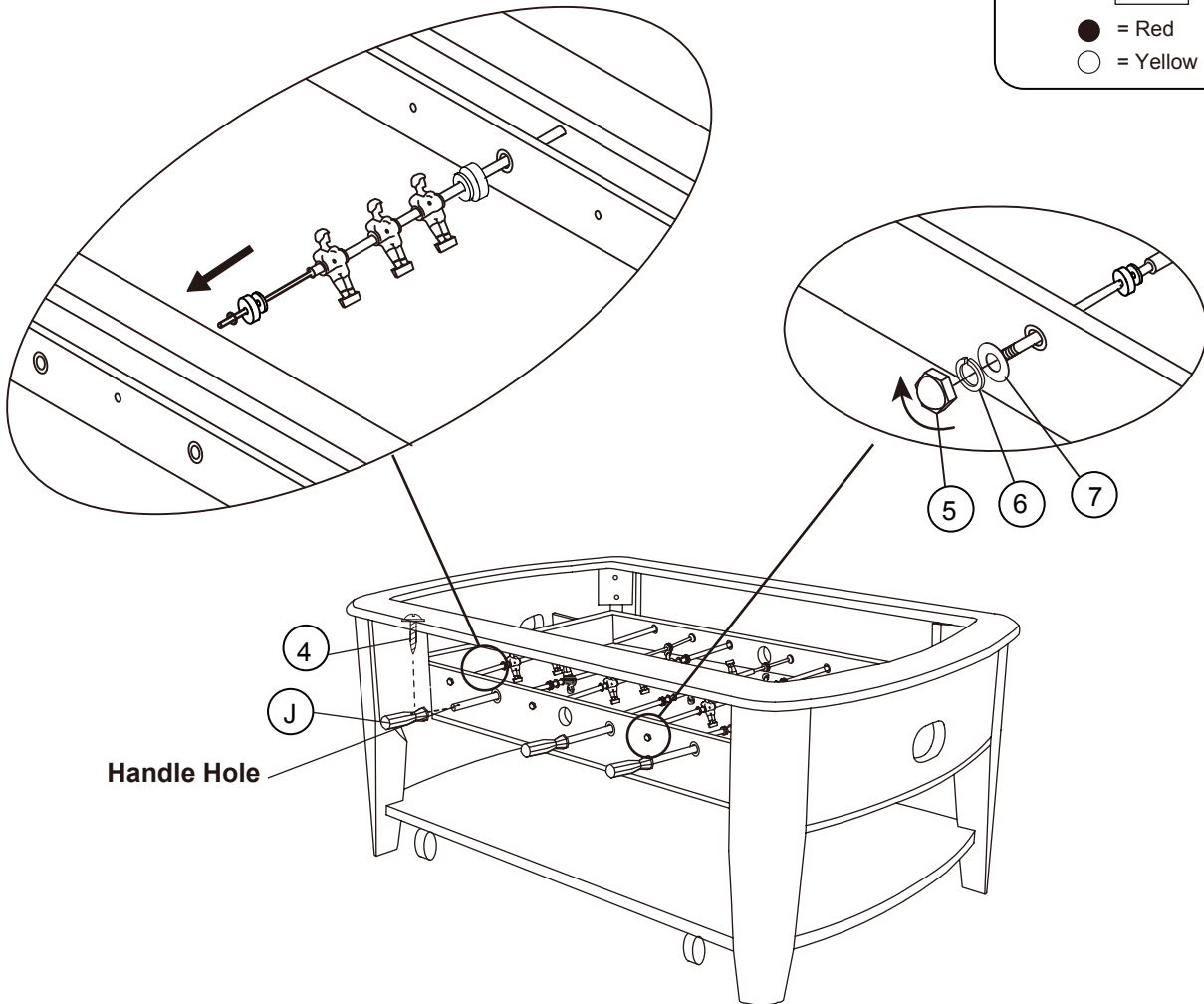
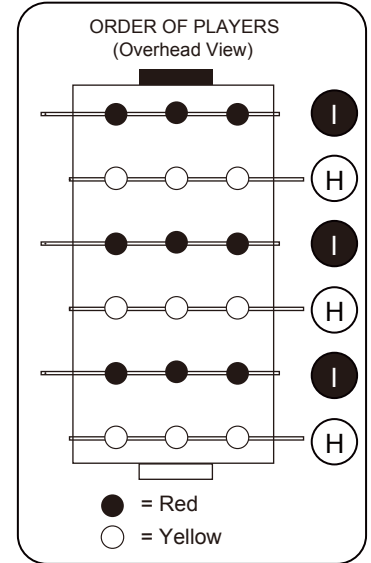
Insert the Player Rods (#H & #I) through the Rod Bushes .

**Note: The Player Rods have a hole at the end where their Handles (#J) will go.**

Now insert the Player Rods (#H & #I) through the Rod Bushes on the opposite Side Apron. Attach the Nuts (#5), Spring Washers (#6) and Flat Washers (#7).

Attach the Handles (#J) to the Player Rods (#H & #I) using Short Screw (#4).

**Note: The goalie should be at the left side of each player.**

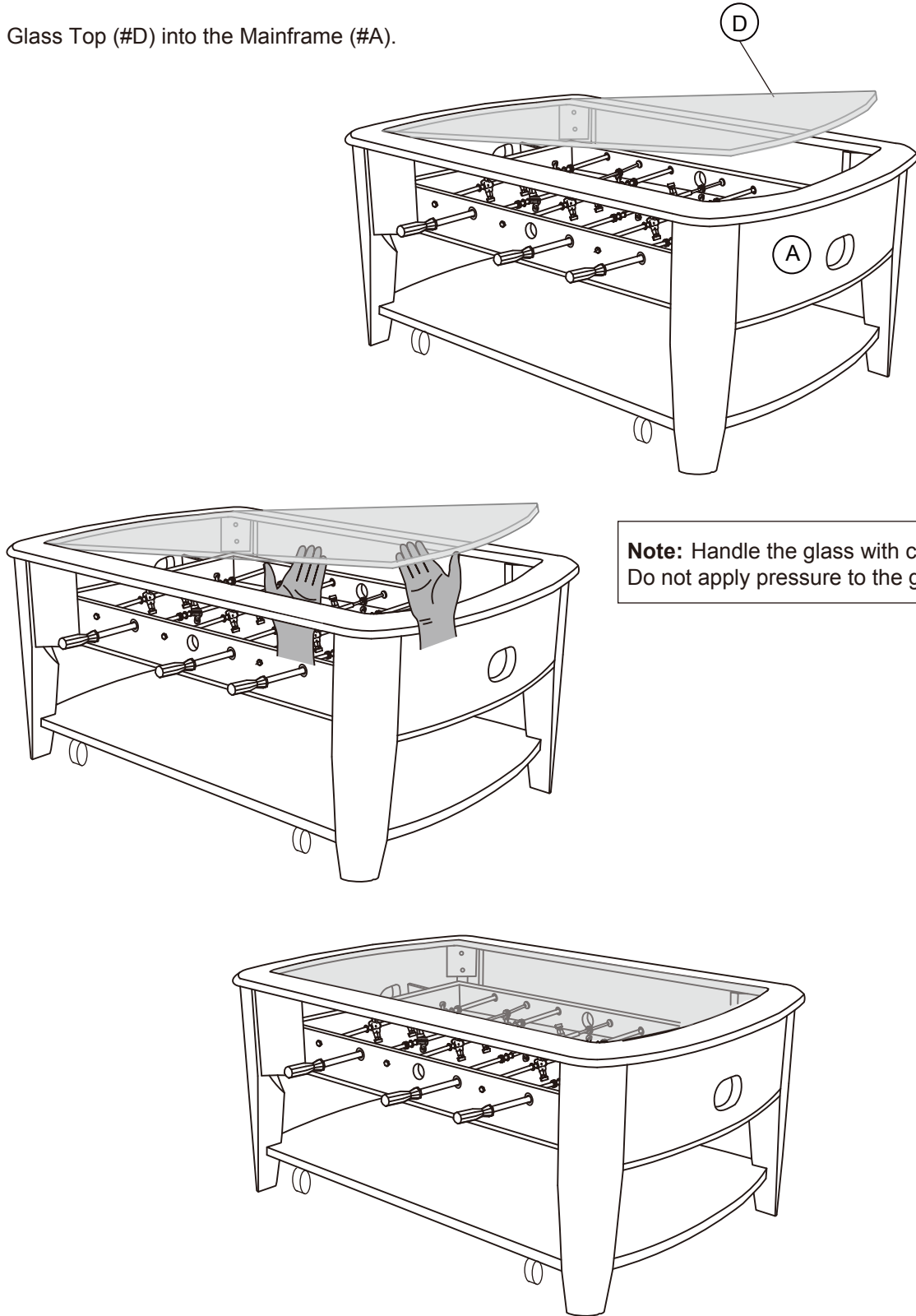


**Note: Players of the same team color should have Handles on the same side, and each team's players should be facing their opponent.**

# ASSEMBLY INSTRUCTIONS

## STEP:8

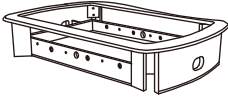



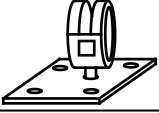
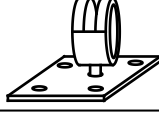

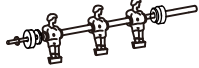

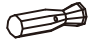
Insert the Glass Top (#D) into the Mainframe (#A).





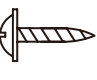




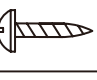

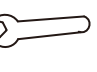
**Note:** Handle the glass with care.  
Do not apply pressure to the glass.

Assembly product is now completed .

# PARTS LIST

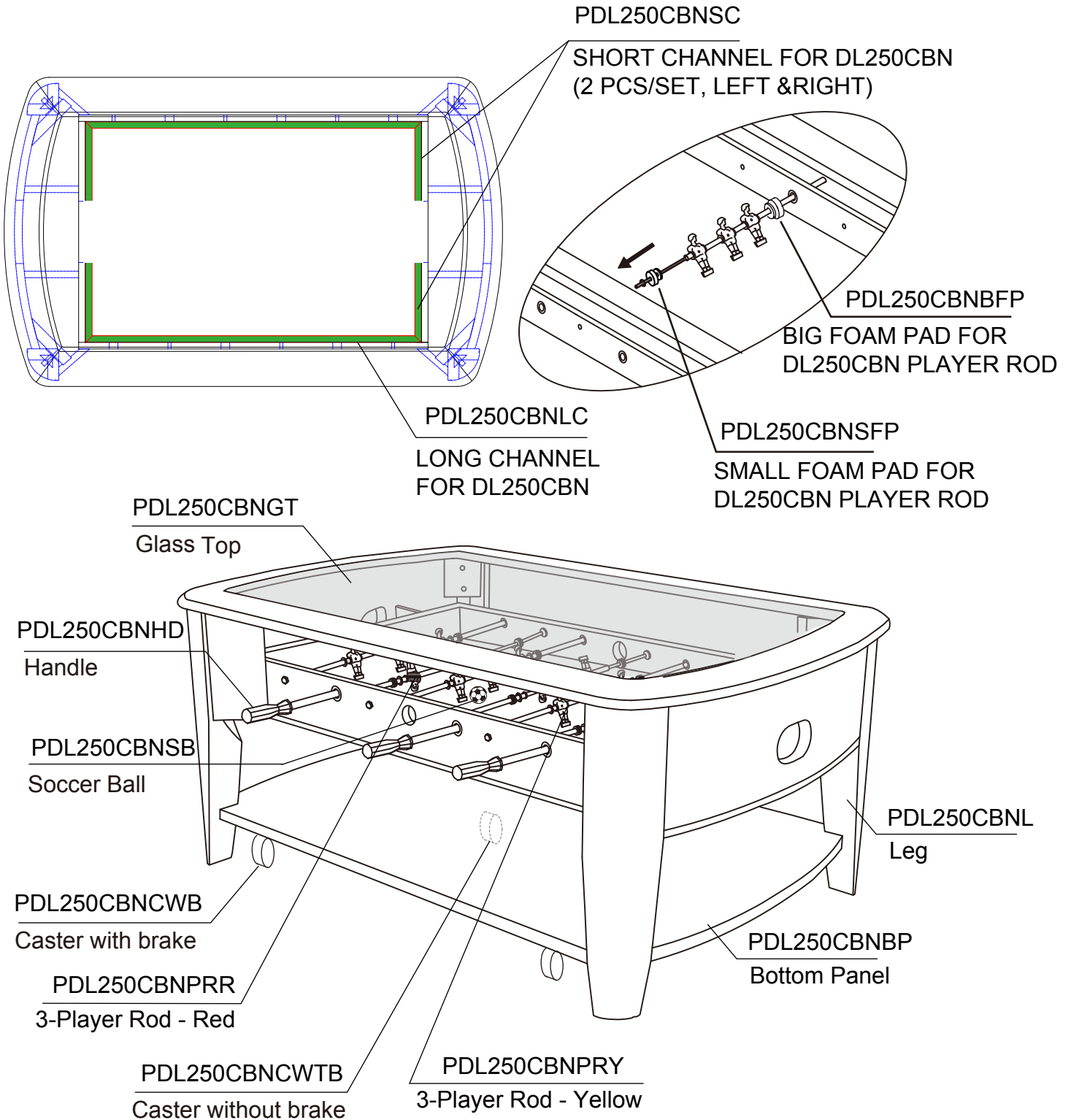
<p>(A) Mainframe (1PC)</p> 	<p>(B) Leg (4PCS)</p> 
<p>(C) Bottom Panel (1 PC)</p> 	<p>(D) Glass Top (1PC)</p> 
<p>(E) Caster with brake (2PCS)</p> 	<p>(F) Caster without brake (3PCS)</p> 
<p>(G) Soccer Ball (2PCS)</p> 	<p>(H) 3-Player Rod - Yellow 12.7mm (3PCS)</p> 
<p>(I) 3-Player Rod - Red 12.7mm (3PCS)</p> 	<p>(J) Handle 12.7mm (6PCS)</p> 

## HARDWARE PACK # : PDL250CBNH

NO.	Description	Size	Q'ty
1	Bolt	 5/16"x2"	8PCS
2	Lock Washer	 5/16"	8PCS
3	Washer	 5/16"x19mm	8PCS
4	Short Screw	 3x18mm	6PCS
5	Nut	 1/4"	6PCS
6	Spring Washer	 1/4"	6PCS
7	Flat Washer	 1/4"x15mm	6PCS
8	"L" Bracket	 22x22mm	4PCS
9	Long Screw	 4x15mm	28PCS
10	Allen Key	 4mm	1PC
11	Wrench	 1/4"	1PC

# PARTS FOR DL250CBN

## Complete Hardware # : PDL250CBNH



PRODUCT DETAILS	
TOP/SHELF	TEMPERED GLASS+IRON/CHROME+MDF
PRODUCT SIZE	W 45"XD 28"XH 20"
CARTON SIZE	W 47"XD 30"XH 9.5"
NET WEIGHT	83.6LBS
GROSS WEIGHT	93LBS
CUFT	7.75'

MADE IN CHINA