



**Item # : CM150C**  
**Description : Coham Cocktail Table**  
**Product Size : W35" x D35" x H18"**

**Your furniture purchase is an investment. Here are a few tips to maximize the lifetime of your furniture with a minimum amount of effort. Properly caring for your furniture can help ensure that it looks great year after year.**

**Wood Furniture Maintenance:**

- Always dust, wipe, and clean with the grain of the wood.
- Dust with a soft cloth. Dust will scratch the furniture surface if not removed properly.
- Use the same type of polish consistently as interchanging oil-based and wax-based polishes will cause a build-up and result in a foggy or cloudy appearance.
- If a polished surface becomes foggy, rub it with a cloth dipped in a solution of one tablespoon vinegar to one quart of water. Rub softly with the grain until the surface is completely dry.
- Soap and water are not advisable for wood surfaces. Water can penetrate the finish and raise the grain on wood, causing damage.
- Remember to change dusting cloths frequently as dirty cloths may scratch your furniture's surface.

**The Enemies of Wood:**

- Moisture is wood's worst enemy. Liquid spills should be gently wiped up immediately. Coasters should be used under all beverages.
- Do not allow rubber or vinyl materials to lie on the furniture. Chemicals in rubber may leave a stain. Put a strip of felt or leather under accessories that have rubber or vinyl.
- Heat creates a chemical change in the furniture's finish, which results in a white spot. Use protective pads under hot dishes, appliances, etc.
- Sunlight's ultraviolet rays can damage the finish of furniture. Do not place furniture directly against a heater or radiator and do not place in the path of hot streams of air from central heating. This will cause extreme localized drying of the wood.

**High Gloss Resin Table Maintenance:**

- Resin tabletops have approximately 1/8" of a resin coat on the top face of the table, which will resist ice, water, wine, liquor, food, cleaning fluids, and warm or hot liquids; however, cups, glasses, etc. containing hot liquids should not be left on the table without a coaster for protection.
- Resin tabletops will scratch just the same as any other glossy surface and basic precautions should be taken.
- For lasting shine, the resin table should be waxed with a car wax that does not contain silicon. Maintaining this wax build-up will result in a high gloss shine.
- When wiping down the table, a soft, clean rag should be used. Do not use a heavy paper.

**Granite Top Maintenance:**

The surface of the granite on your table has been polished or sealed to create a generally non-porous surface. The stone has many natural characteristics including: veining, hairline cracks, and color variations - which make up the stone's beauty.

To maintain the beauty of your granite:

- Protect surfaces from scratching, staining and etching by:
    - \* Keeping them free of debris or sharp objects
    - \* Wiping up spills immediately
    - \* Avoiding contact with chemicals (particularly acid-based materials)
  - Clean with pH neutral products or those especially formulated for use on stone.
  - It is not recommended to use a water-based solvent for dark granite as it will remove the polish from the surface.
  - After a period of use, apply a penetrating sealer to prevent contaminants from being absorbed into the stone.
  - Remove stains with special absorbent poultices formulated for use on stone.
  - Renew the surface on polished granite ( granite with a high gloss surface by buffing with special stone polish, powder or cream.
- Do not use granite polish on granite with a matte finish, which has been honed rather than polished. (Penetrating sealer may be used on both polished and honed granite.)

**Marble Top Maintenance:**

Marble may be stone, but it is porous stone and can stain easily. Treating marble surfaces the same as wood surfaces is a great rule of thumb.

- It is recommended to seal the tops on a regular basis (every 6 to 12 months). A good quality stone sealer can be purchased from any tiles/stone store or any homecare store and should be applied according to the manufacturer's recommendation.
- When sealed properly, marble tops can be used indoors and outdoors and can withstand any weather conditions except internal freezing. Snow or freezing rain will penetrate the table and cause cracks.

**Caring for the Fabric on Upholstered Furniture:**

- Frequent vacuuming of the entire upholstered area will prevent dust from settling into the fibers.
- Professional cleaning is always recommended for all upholstered pieces.
- Always pre-test a small area of fabric in an inconspicuous area when cleaning before proceeding.
- Do not use cleaning products containing brightening agents.

**VERY IMPORTANT!!**

**NEVER**  
 USE GLASS CLEANERS  
 ON FINISHED SURFACES.  
 AMMONIA WILL  
 CHEMICALLY ATTACK  
 THE FINISH.

DO NOT  
 WRITE  
 DIRECTLY  
 ON  
 SURFACE



**PREVENT  
 MARKING**

DO NOT  
 PLACE  
 DIRECTLY  
 IN  
 SUNLIGHT



**PREVENT  
 FADING**

DO NOT  
 USE  
 PLACEMATS  
 WITH  
 RUBBER  
 BASES



**PREVENT  
 DISCOLORING**

**NEVER**  
 ALLOW LIQUIDS OF ANY  
 KIND TO LINGER ON  
 SURFACES. ABSORPTION  
 CAUSES THE WOOD TO  
 WARP AND THE FINISH  
 TO DE-LAMINATE.

DO NOT USE  
 COMMERCIAL  
 POLISHES  
 AND WAXES



**PREVENT  
 YELLOWING**

DO NOT  
 PLACE HOT  
 POTS, ETC.  
 ON  
 SURFACE



**PREVENT  
 DAMAGE TO  
 FINISH!**

REGULATE  
 THE  
 HUMIDITY  
 CONDITIONS  
 AT YOUR  
 HOME

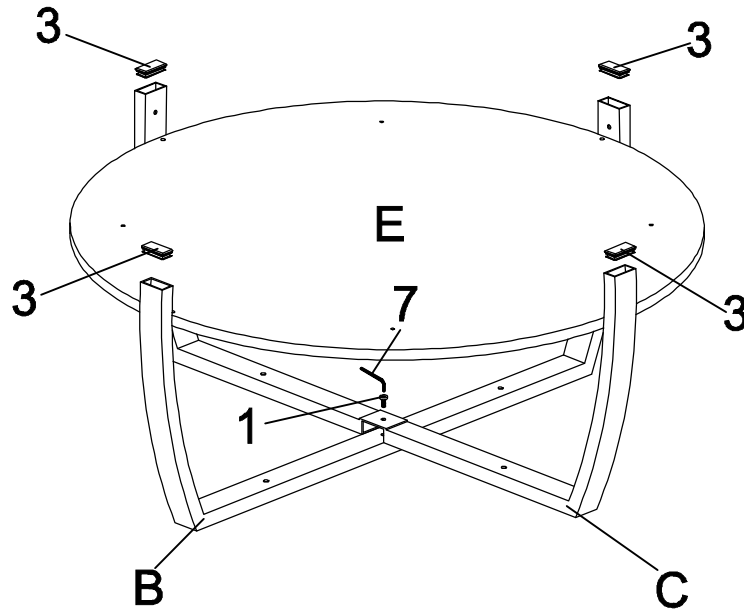


**PREVENT  
 SPLITTING**

# CM150C

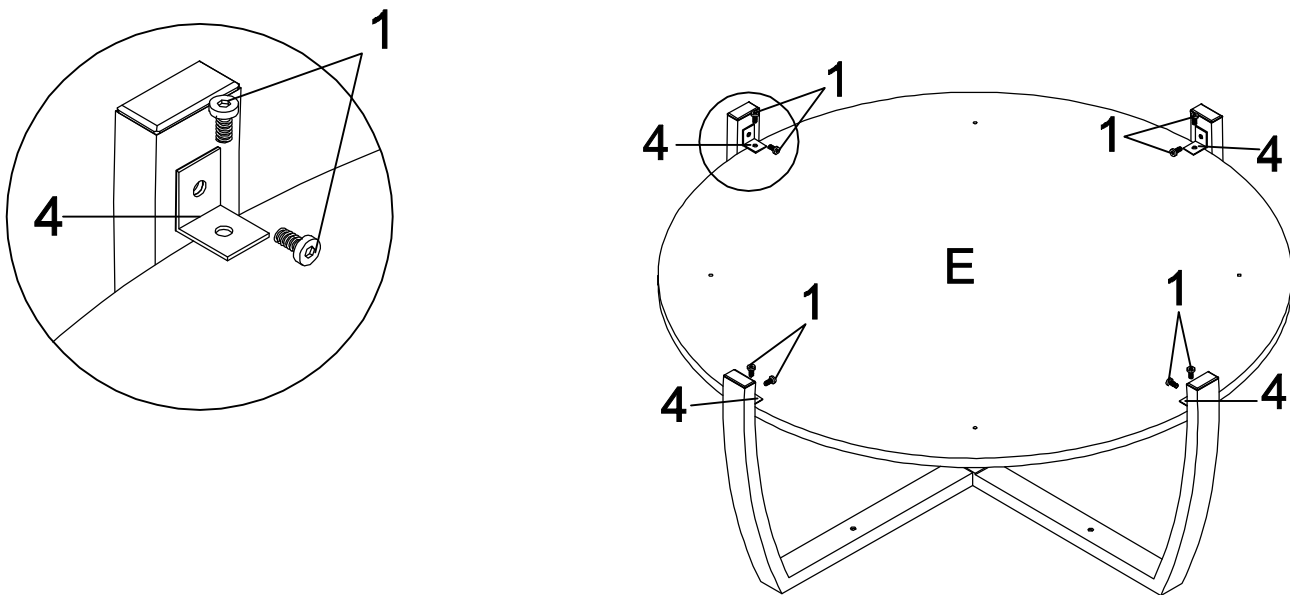
## ASSEMBLY INSTRUCTIONS

### STEP 1

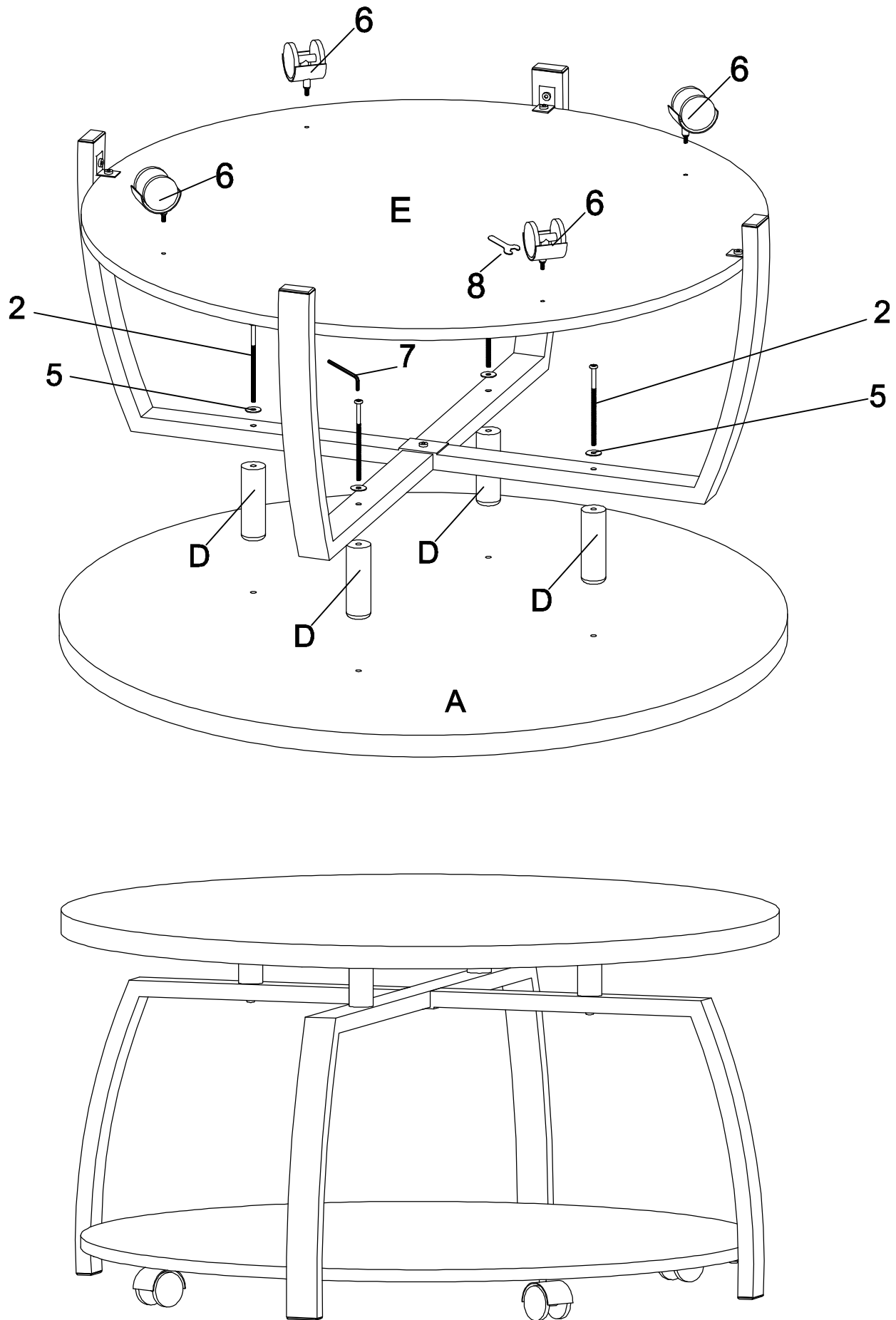


Step 1: Insert Cap (3) into the Bottom of Leg Frame (B) and Connecting Leg Frame (C) as shown. Attach Connecting Leg Frame (C) to Leg Frame (B), then with help insert the Shelf Panel (E) as shown. Insert the Bolt (1) into the pre-drilled hole at the Connecting Leg Frame (C), tighten with an Allen Key (7).

### STEP 2

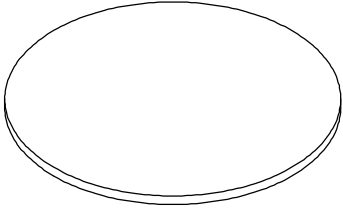
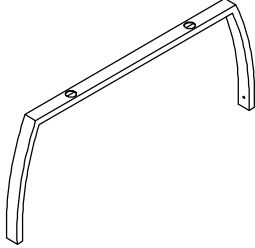
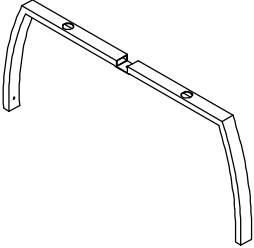

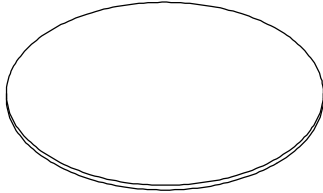


Step 2: With help attach Shelf Panel (E) to the assembly leg frame by using L Bracket (4). Tighten Bolt (1) with an Allen Key (7).

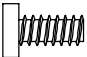

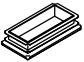
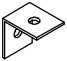






**Step 3: Screw Caster (6) into the pre-drilled holes at the bottom of Shelf Panel (E), tighten with an Wrench (8). With help attach Cross bar (D) to leg frame by inserting Long Bolt (2) through the Washer (5) and leg frame , then place onto the Table Top (A) by aligning the hole, tighten with an Allen Key (7). Repeat for the remaining Cross bar (D). Bring the table to upright position, Product is now completed.**

# PARTS LIST

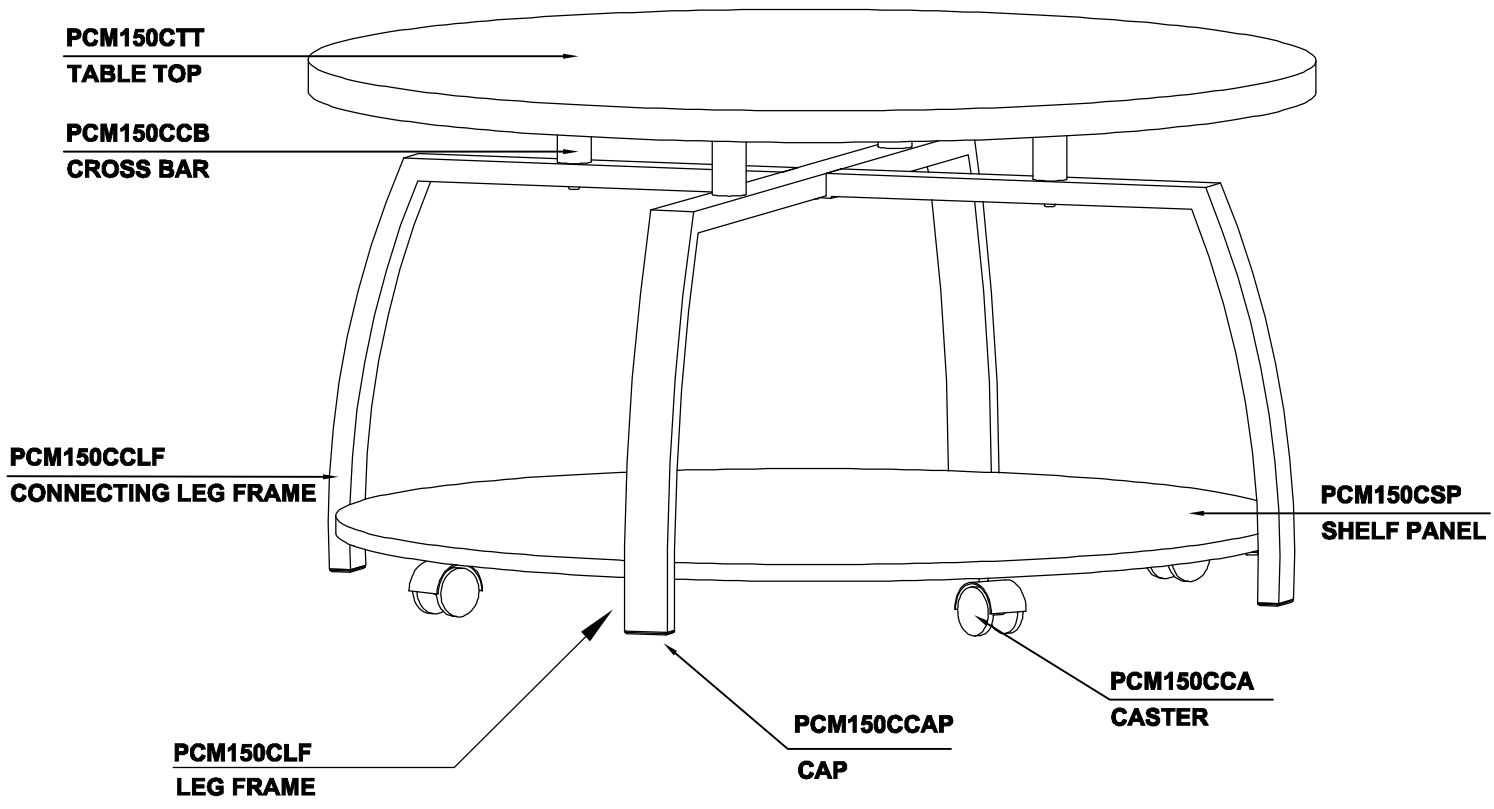
<p align="center"><b>(A) TABLE TOP (1PC)</b></p> 	<p align="center"><b>(B) LEG FRAME (1PC)</b></p> 
<p align="center"><b>(C) CONNECTING LEG FRAME (1PC)</b></p> 	<p align="center"><b>(D) CROSS BAR (4PCS)</b></p> 
<p align="center"><b>(E) SHELF PANEL (1PC)</b></p> 	

## HARDWARE PACK # : PCM150CH

NO.	DESCRIPTION	SIZE	Q'TY	
1		BOLT	ø1/4" - 20 x 1/2"	9pcs
2		LONG BOLT	ø1/4" - 20 x 5"	4pcs
3		CAP	20 x 40mm	4pcs
4		L BRACKET	27 x 27mm	4pcs
5		WASHER	ø1/4"	4pcs
6		CASTER	ø50mm	4pcs
7		ALLEN KEY	4mm	1pc
8		WRENCH	13mm	1pc

# PARTS FOR CM150C

## Complete Hardware # : PCM150CH



### PRODUCT DETAILS

<b>TOP/ SHELF</b>	<b>MDF</b>
<b>METAL FRAME/BAR</b>	<b>BAR IRON/BLACK NICKEL</b>
<b>PRODUCT SIZE</b>	<b>W35" x D35" x H18"</b>
<b>CARTON SIZE</b>	<b>W41-1/4" x D37-3/4" x H4-1/4"</b>
<b>NET WEIGHT</b>	<b>44.66 LBS</b>
<b>GROSS WEIGHT</b>	<b>49.94 LBS</b>
<b>CUFT/CTN</b>	<b>3.83'</b>

**MADE IN TAIWAN**