



Item # : AS900KHB/AS900KFB/AS900R
 Description : PASCO KING HEADBOARD/ KING FOOTBOARD/
 SIDE RAIL

Product Size : W 85.5" x D 91.5" x H 44"

Your furniture purchase is an investment. Here are a few tips to maximize the lifetime of your furniture with a minimum amount of effort. Properly caring for your furniture can help ensure that it looks great year after year.

Wood Furniture Maintenance:

- Always dust, wipe, and clean *with* the grain of the wood.
- Dust with a soft cloth. Dust will scratch the furniture surface if not removed properly.
- Use the same type of polish consistently as interchanging oil-based and wax-based polishes will cause a build-up and result in a foggy or cloudy appearance.
- If a polished surface becomes foggy, rub it with a cloth dipped in a solution of one tablespoon vinegar to one quart of water. Rub softly with the grain until the surface is completely dry.
- Soap and water are not advisable for wood surfaces. Water can penetrate the finish and raise the grain on wood, causing damage.
- Remember to change dusting cloths frequently as dirty cloths may scratch your furniture's surface.

The Enemies of Wood:

- Moisture is wood's worst enemy. Liquid spills should be gently wiped up immediately. Coasters should be used under all beverages.
- Do not allow rubber or vinyl materials to lie on the furniture. Chemicals in rubber may leave a stain. Put a strip of felt or leather under accessories that have rubber or vinyl.
- Heat creates a chemical change in the furniture's finish, which results in a white spot. Use protective pads under hot dishes, appliances, etc.
- Sunlight's ultraviolet rays can damage the finish of furniture. Do not place furniture directly against a heater or radiator and do not place in the path of hot streams of air from central heating. This will cause extreme localized drying of the wood.

High Gloss Resin Table Maintenance:

- Resin tabletops have approximately 1/8" of a resin coat on the top face of the table, which will resist ice, water, wine, liquor, food, cleaning fluids, and warm or hot liquids; however, cups, glasses, etc. containing hot liquids should not be left on the table without a coaster for protection.
- Resin tabletops will scratch just the same as any other glossy surface and basic precautions should be taken.
- For lasting shine, the resin table should be waxed with a car wax that does not contain silicon. Maintaining this wax build-up will result in a high gloss shine.
- When wiping down the table, a soft, clean rag should be used. Do not use a heavy paper.

Granite Top Maintenance:

The surface of the granite on your table has been polished or sealed to create a generally non-porous surface. The stone has many natural characteristics including: veining, hairline cracks, and color variations - which make up the stone's beauty.

To maintain the beauty of your granite:

- Protect surfaces from scratching, staining and etching by:
 - * Keeping them free of debris or sharp objects
 - * Wiping up spills immediately
 - * Avoiding contact with chemicals (particularly acid-based materials)
- Clean with pH neutral products or those especially formulated for use on stone.
 - It is not recommended to use a water-based solvent for dark granite as it will remove the polish from the surface.
- After a period of use, apply a penetrating sealer to prevent contaminants from being absorbed into the stone.
- Remove stains with special absorbent poultices formulated for use on stone.
- Renew the surface on *polished* granite (granite with a high gloss surface) by buffing with special stone polish, powder or cream. Do not use granite polish on granite with a matte finish, which has been honed rather than polished. (Penetrating sealer may be used on both polished and honed granite.)

Marble Top Maintenance:







Marble may be stone, but it is porous stone and can stain easily. Treating marble surfaces the same as wood surfaces is a great rule of thumb.

- It is recommended to seal the tops on a regular basis (every 6 to 12 months). A good quality stone sealer can be purchased from any tiles/stone store or any homecare store and should be applied according to the manufacturer's recommendation.
- When sealed properly, marble tops can be used indoors and outdoors and can withstand any weather conditions except internal freezing. Snow or freezing rain will penetrate the table and cause cracks.

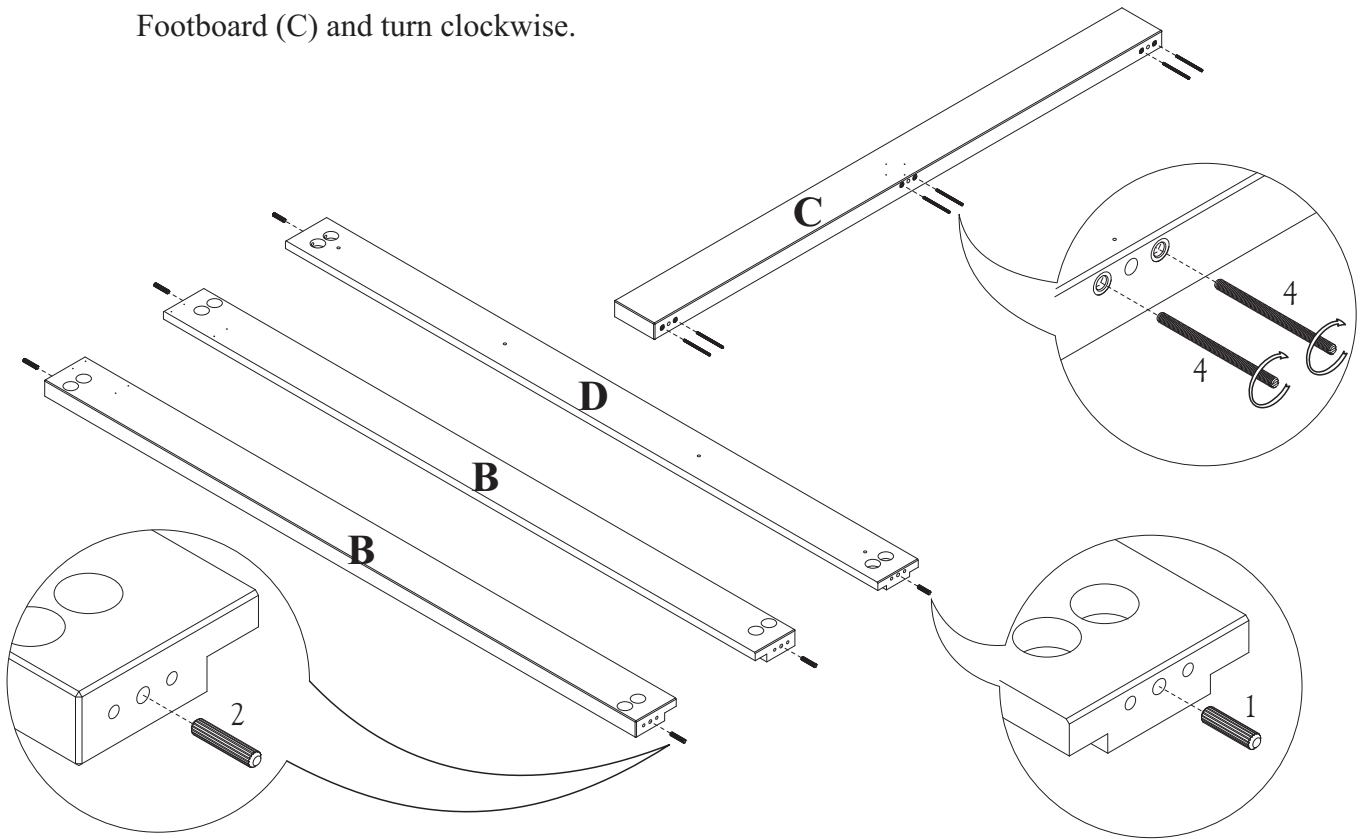
Caring for the Fabric on Upholstered Furniture:

- Frequent vacuuming of the entire upholstered area will prevent dust from settling into the fibers.
- Professional cleaning is always recommended for all upholstered pieces.
- Always pre-test a small area of fabric in an inconspicuous area when cleaning before proceeding.
- Do not use cleaning products containing brightening agents.

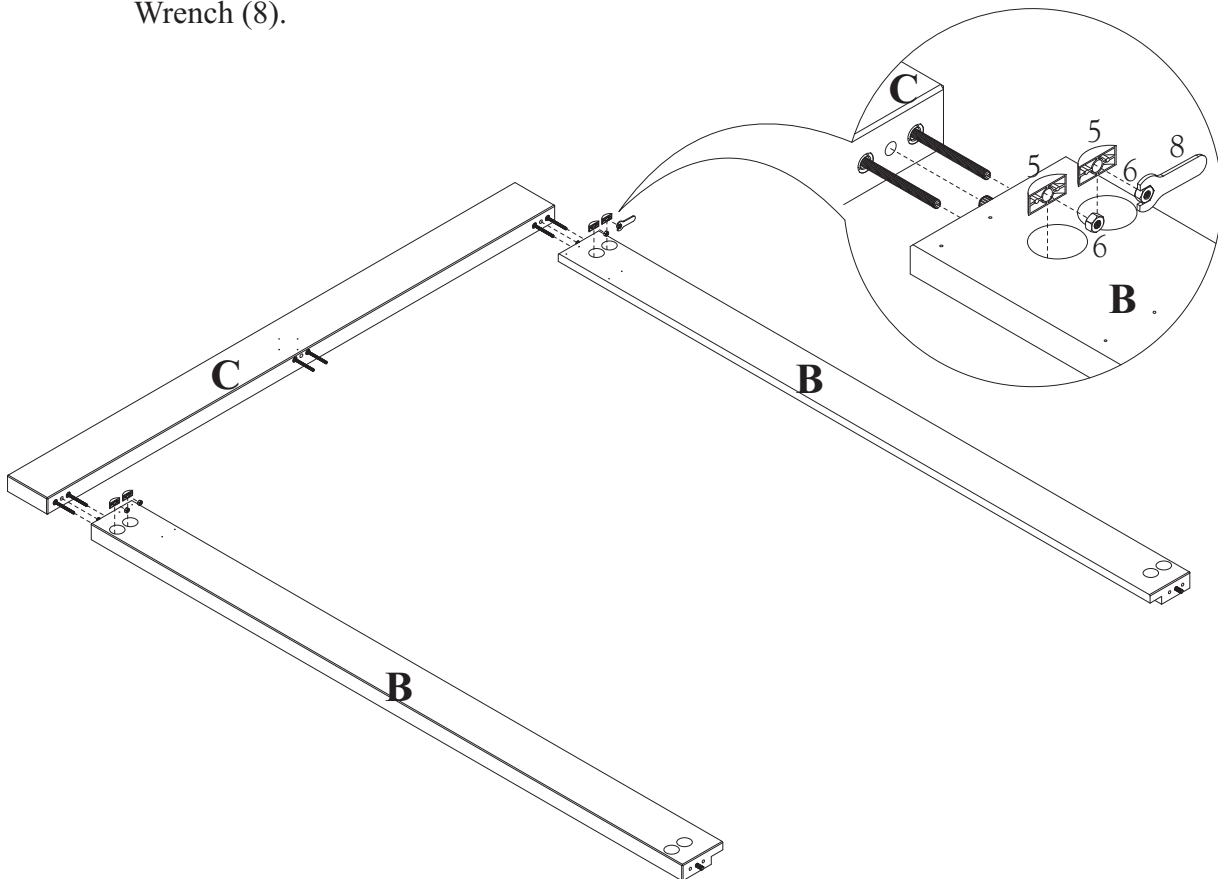
VERY IMPORTANT!!

<p>NEVER USE GLASS CLEANERS ON FINISHED SURFACES. AMMONIA WILL CHEMICALLY ATTACK THE FINISH.</p>	<p>DO NOT WRITE DIRECTLY ON SURFACE  PREVENT MARKING</p>	<p>DO NOT PLACE DIRECTLY IN SUNLIGHT  PREVENT FADING</p>	<p>DO NOT USE PLACEMATS WITH RUBBER BASES  PREVENT DISCOLORING</p>
<p>NEVER ALLOW LIQUIDS OF ANY KIND TO LINGER ON SURFACES. ABSORPTION CAUSES THE WOOD TO WARP AND THE FINISH TO DE-LAMINATE.</p>	<p>DO NOT USE COMMERCIAL POLISHES AND WAXES  PREVENT YELLOWING</p>	<p>DO NOT PLACE HOT POTS, ETC. ON SURFACE  PREVENT DAMAGE TO FINISH!</p>	<p>REGULATE THE HUMIDITY CONDITIONS AT YOUR HOME  PREVENT SPLITTING</p>

STEP 1: Place Side Rails (B), Footboard (C) and Middle Rail (D) upside down on the floor with a piece of cloth or carpet underneath to prevent finish from scratching. Attach the Wood Dowels (1) to Middle Rail (D) and the Wood Dowels (2) to Side Rails (C). Attach the Threaded Pin (4) to Footboard (C) and turn clockwise.

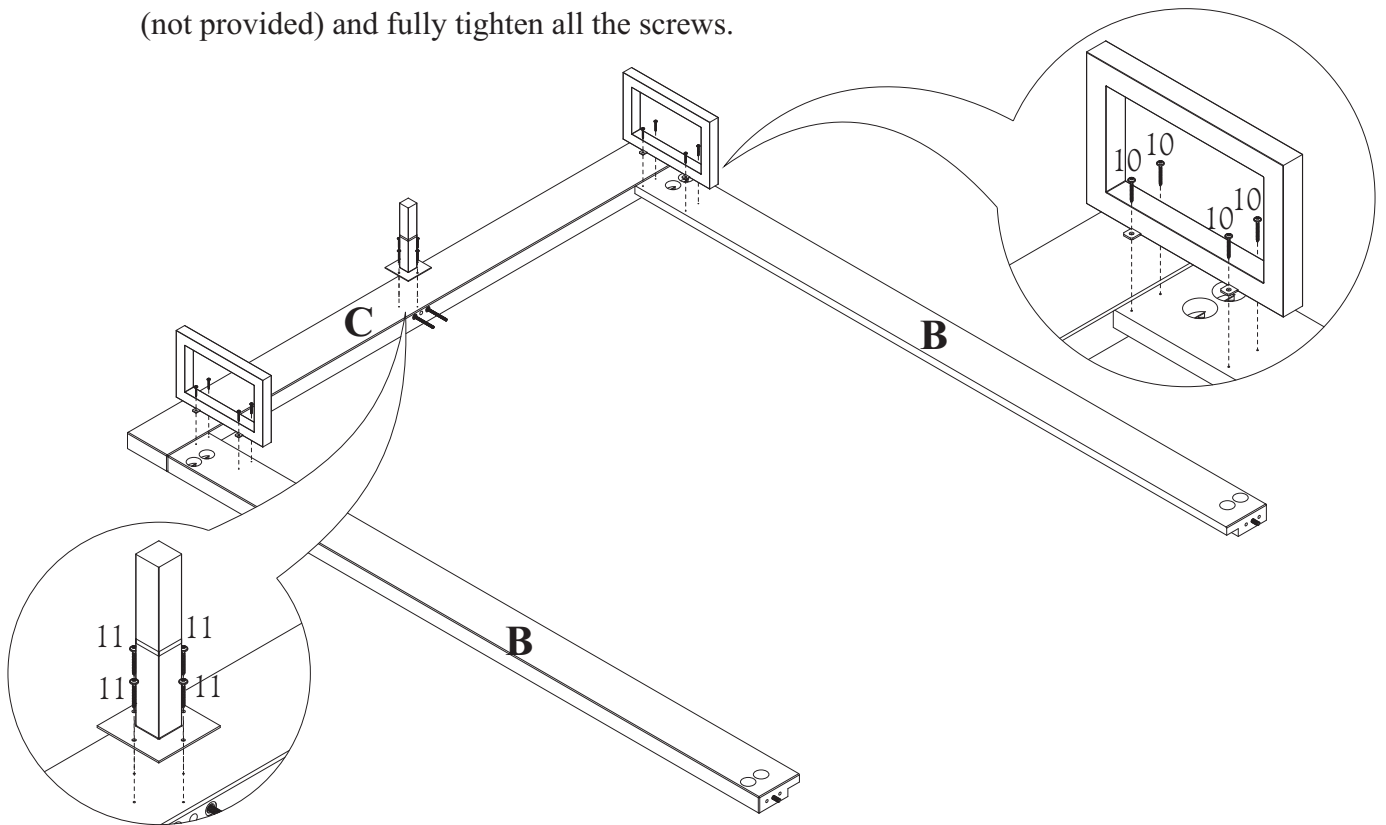


STEP 2: Attach the Side Rails (B) to Footboard (C) with Elipse Nut (5) and Nut (6) tighten by Wrench (8).



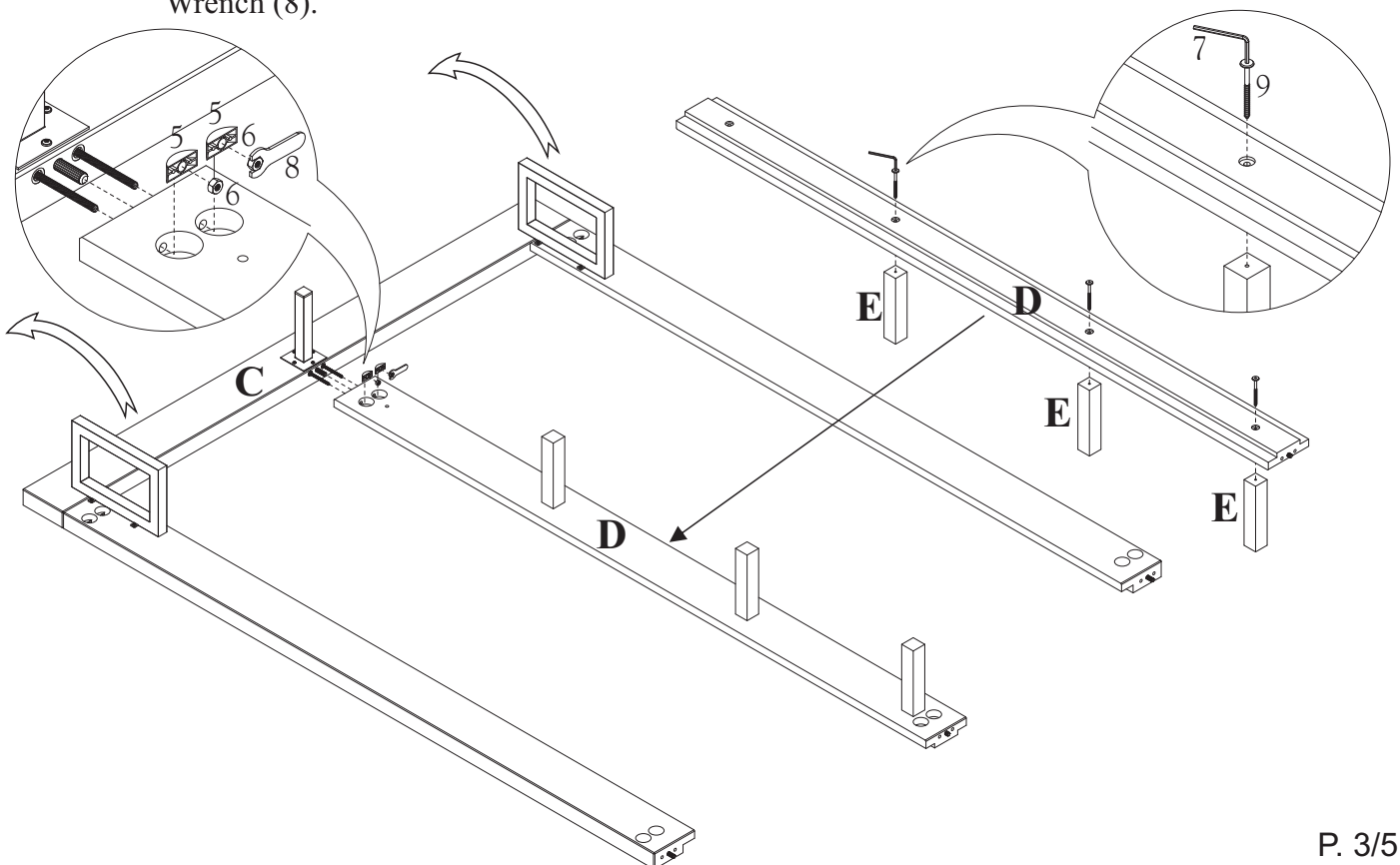
STEP 3: Attach Side Leg (F) to Side Rails (B) using Wood Screws (10) with philips head screw driver (not provided).

Attach Central Leg (G) to Footboard (C) using Wood Screws (11) with philips head screw driver (not provided) and fully tighten all the screws.



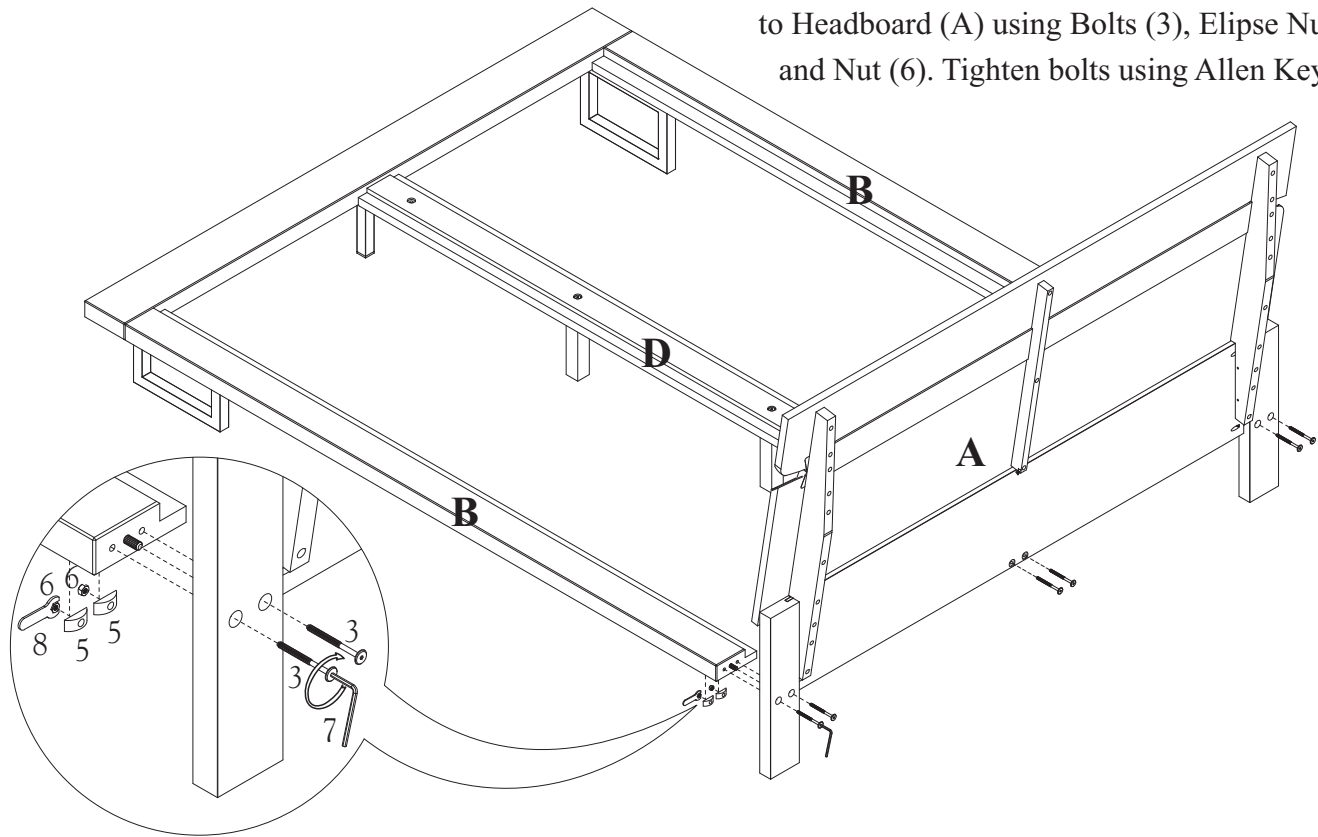
STEP 4: Attach the Support Legs (E) to Middle Rail (D) using Screws (9) tighten by Allen Key (7).

Attach the Middle Rail (D) to Footboard (C) with Elipse Nut (5) and Nut (6) tighten by Wrench (8).



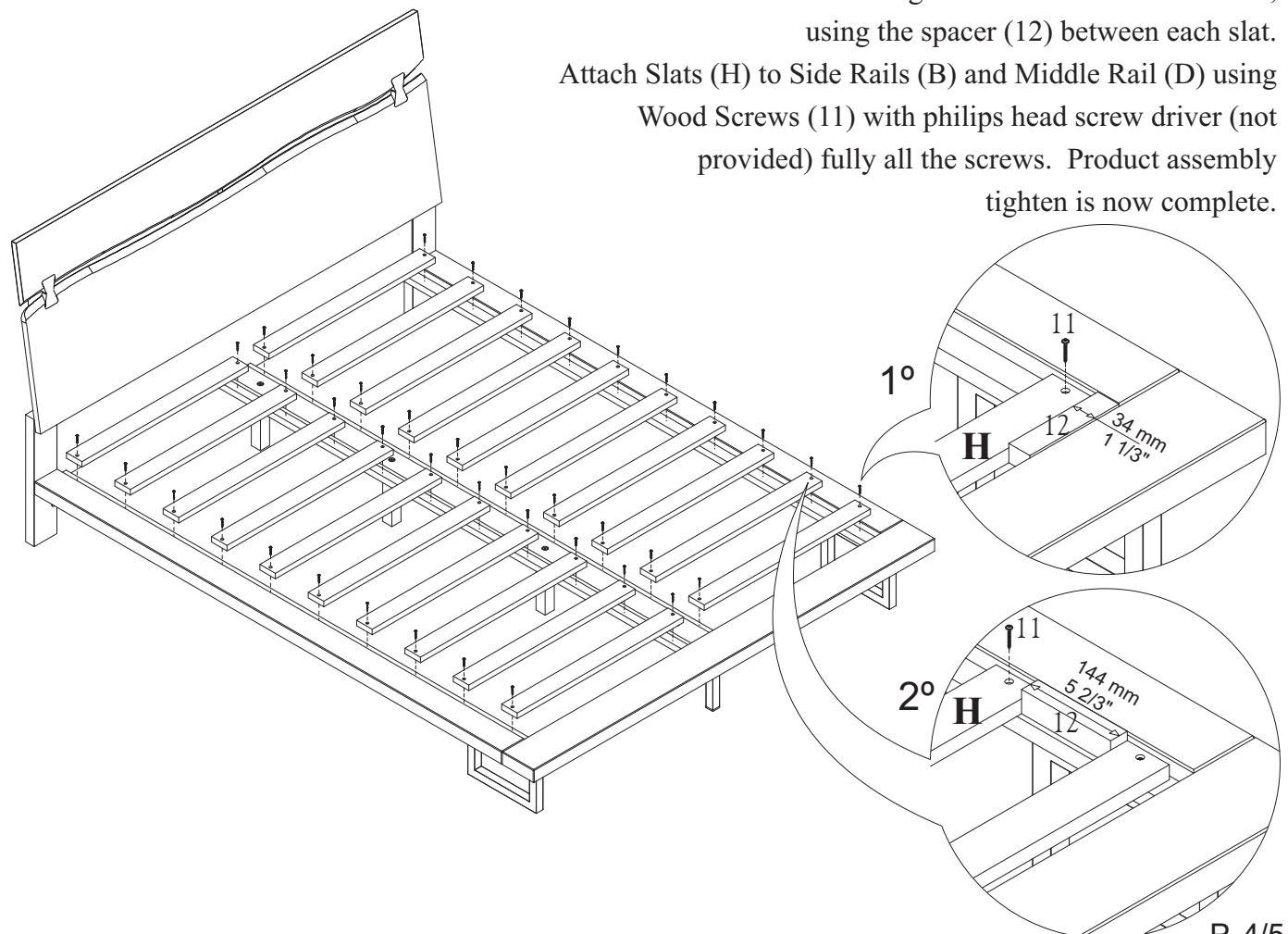
STEP 5:

Attach the Side Rails (B) and Middle Rail (D) to Headboard (A) using Bolts (3), Elipse Nut (5) and Nut (6). Tighten bolts using Allen Key (7).



STEP 6:








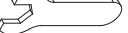
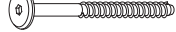


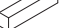
Attention: Start assembling the Slats from the Footboard, using the spacer (12) between each slat. Attach Slats (H) to Side Rails (B) and Middle Rail (D) using Wood Screws (11) with philips head screw driver (not provided) fully all the screws. Product assembly tighten is now complete.




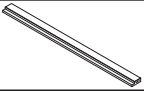
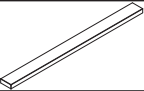





ASSMBLY INSTRUCTION

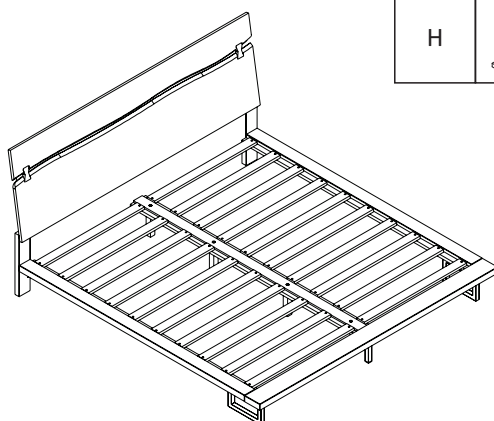
ITEM : AS900-KING

HARDWARE LIST - PAS900H

NO	DESCRIPTION	SKETCH	DIMENSION	QTY
1	WOOD DOWEL		10*40 mm	2 PCS
2	WOOD DOWEL		10*48 mm	4 PCS
3	BOLT		1/4"*80 mm	6 PCS
4	THREADED PIN		1/4"*90 mm	6 PCS
5	ELIPSE NUT		34*15*9 mm	12 PCS
6	NUT		11*5.5 mm	12 PCS
7	ALLEN KEY		4*71 mm	1 PC
8	WRENCH		60*25.5 mm	1 PC
9	SCREW		7*80 mm	3 PCS
10	WOOD SCREW		3,5*20 mm	08 PCS
11	WOOD SCREW		3,5*30 mm	44 PCS
12	SPACER		144*34*27 mm	2 PCS

PARTS LIST

NO	SKETCH	DESCRIPTION	QTY
A		HEADBOARD	1 PC
B		SIDE RAIL	2 PCS
C		FOOTBOARD	1 PC
D		MIDDLE RAIL PAS900MR	1 PC
E		SUPPORT LEG PAS900SUL	3 PCS
F		SIDE LEG PAS900SIL	2 PCS
G		CENTRAL LEG PAS900CL	1 PC
H		SLAT PAS900KS	20 PCS



PRODUCT DETAILS

Headboard:	Pine wood
Foot board:	Pine wood
Side rail:	Pine wood
Slats:	Pine wood
Head Board Product Size:	85.5"x 6.5" x H 44"
Carton Size:	89" x 48" x 5.5"
Net Weight:	46.3 LBS
Gross Weight:	57.3 LBS
Cuft:	13.7'
Foot Board Product Size:	85.5" x 5.5" x H 2"
Carton Size:	88" x 11.5" x 7"
Net Weight:	44 LBS
Gross Weight:	48.5 LBS
Cuft:	4.16'
Side rail Product Size:	80.75" x 2" x H 5.5"
Carton Size:	83.5" x 12.5" x 4.5"
Net Weight:	38.58 LBS
Gross Weight:	41.88 LBS
Cuft:	2.57'



Item # : AS900DRG
 Description : PASCO DRESSER

Product Size : W 60" x D 17.3" x H 30"

Your furniture purchase is an investment. Here are a few tips to maximize the lifetime of your furniture with a minimum amount of effort. Properly caring for your furniture can help ensure that it looks great year after year.

Wood Furniture Maintenance:

- Always dust, wipe, and clean *with* the grain of the wood.
- Dust with a soft cloth. Dust will scratch the furniture surface if not removed properly.
- Use the same type of polish consistently as interchanging oil-based and wax-based polishes will cause a build-up and result in a foggy or cloudy appearance.
- If a polished surface becomes foggy, rub it with a cloth dipped in a solution of one tablespoon vinegar to one quart of water. Rub softly with the grain until the surface is completely dry.
- Soap and water are not advisable for wood surfaces. Water can penetrate the finish and raise the grain on wood, causing damage.
- Remember to change dusting cloths frequently as dirty cloths may scratch your furniture's surface.

The Enemies of Wood:

- Moisture is wood's worst enemy. Liquid spills should be gently wiped up immediately. Coasters should be used under all beverages.
- Do not allow rubber or vinyl materials to lie on the furniture. Chemicals in rubber may leave a stain. Put a strip of felt or leather under accessories that have rubber or vinyl.
- Heat creates a chemical change in the furniture's finish, which results in a white spot. Use protective pads under hot dishes, appliances, etc.
- Sunlight's ultraviolet rays can damage the finish of furniture. Do not place furniture directly against a heater or radiator and do not place in the path of hot streams of air from central heating. This will cause extreme localized drying of the wood.

High Gloss Resin Table Maintenance:

- Resin tabletops have approximately 1/8" of a resin coat on the top face of the table, which will resist ice, water, wine, liquor, food, cleaning fluids, and warm or hot liquids; however, cups, glasses, etc. containing hot liquids should not be left on the table without a coaster for protection.
- Resin tabletops will scratch just the same as any other glossy surface and basic precautions should be taken.
- For lasting shine, the resin table should be waxed with a car wax that does not contain silicon. Maintaining this wax build-up will result in a high gloss shine.
- When wiping down the table, a soft, clean rag should be used. Do not use a heavy paper.

Granite Top Maintenance:

The surface of the granite on your table has been polished or sealed to create a generally non-porous surface. The stone has many natural characteristics including: veining, hairline cracks, and color variations - which make up the stone's beauty.

To maintain the beauty of your granite:

- Protect surfaces from scratching, staining and etching by:
 - * Keeping them free of debris or sharp objects
 - * Wiping up spills immediately
 - * Avoiding contact with chemicals (particularly acid-based materials)
- Clean with pH neutral products or those especially formulated for use on stone.
 - It is not recommended to use a water-based solvent for dark granite as it will remove the polish from the surface.
- After a period of use, apply a penetrating sealer to prevent contaminants from being absorbed into the stone.
- Remove stains with special absorbent poultices formulated for use on stone.
- Renew the surface on *polished* granite (granite with a high gloss surface) by buffing with special stone polish, powder or cream. Do not use granite polish on granite with a matte finish, which has been honed rather than polished. (Penetrating sealer may be used on both polished and honed granite.)

Marble Top Maintenance:







Marble may be stone, but it is porous stone and can stain easily. Treating marble surfaces the same as wood surfaces is a great rule of thumb.

- It is recommended to seal the tops on a regular basis (every 6 to 12 months). A good quality stone sealer can be purchased from any tiles/stone store or any homecare store and should be applied according to the manufacturer's recommendation.
- When sealed properly, marble tops can be used indoors and outdoors and can withstand any weather conditions except internal freezing. Snow or freezing rain will penetrate the table and cause cracks.

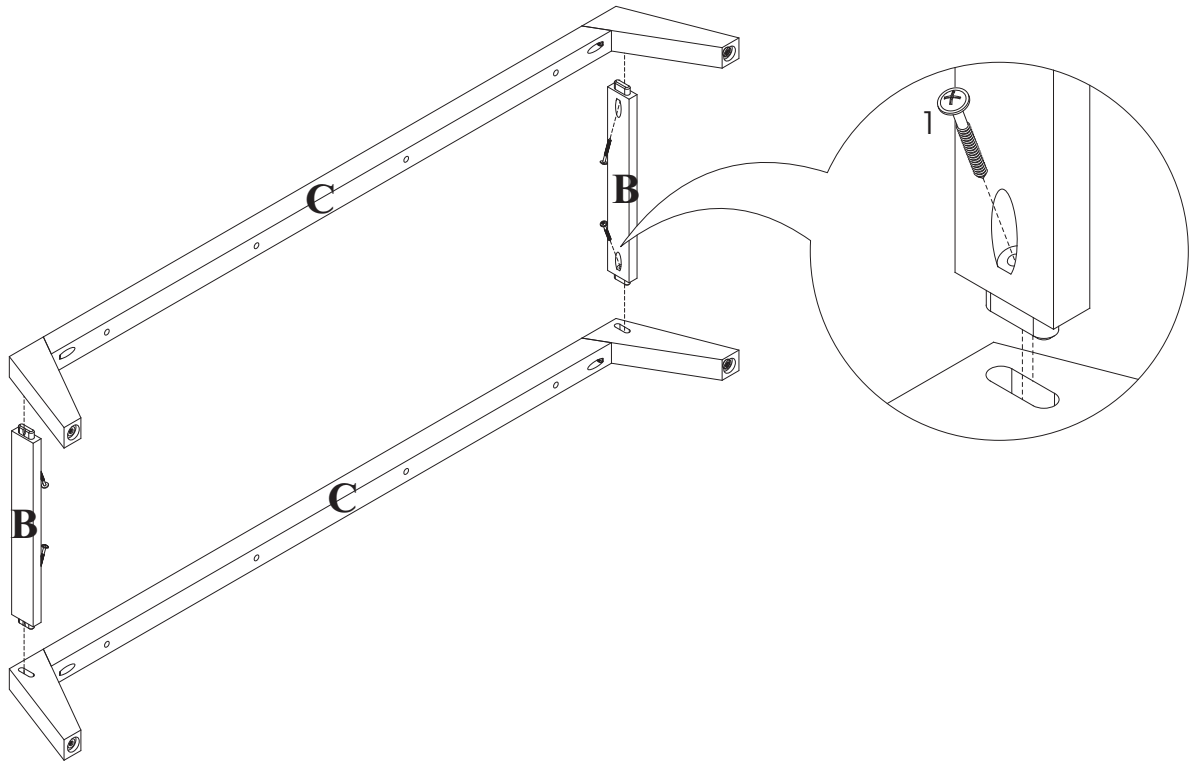
Caring for the Fabric on Upholstered Furniture:

- Frequent vacuuming of the entire upholstered area will prevent dust from settling into the fibers.
- Professional cleaning is always recommended for all upholstered pieces.
- Always pre-test a small area of fabric in an inconspicuous area when cleaning before proceeding.
- Do not use cleaning products containing brightening agents.

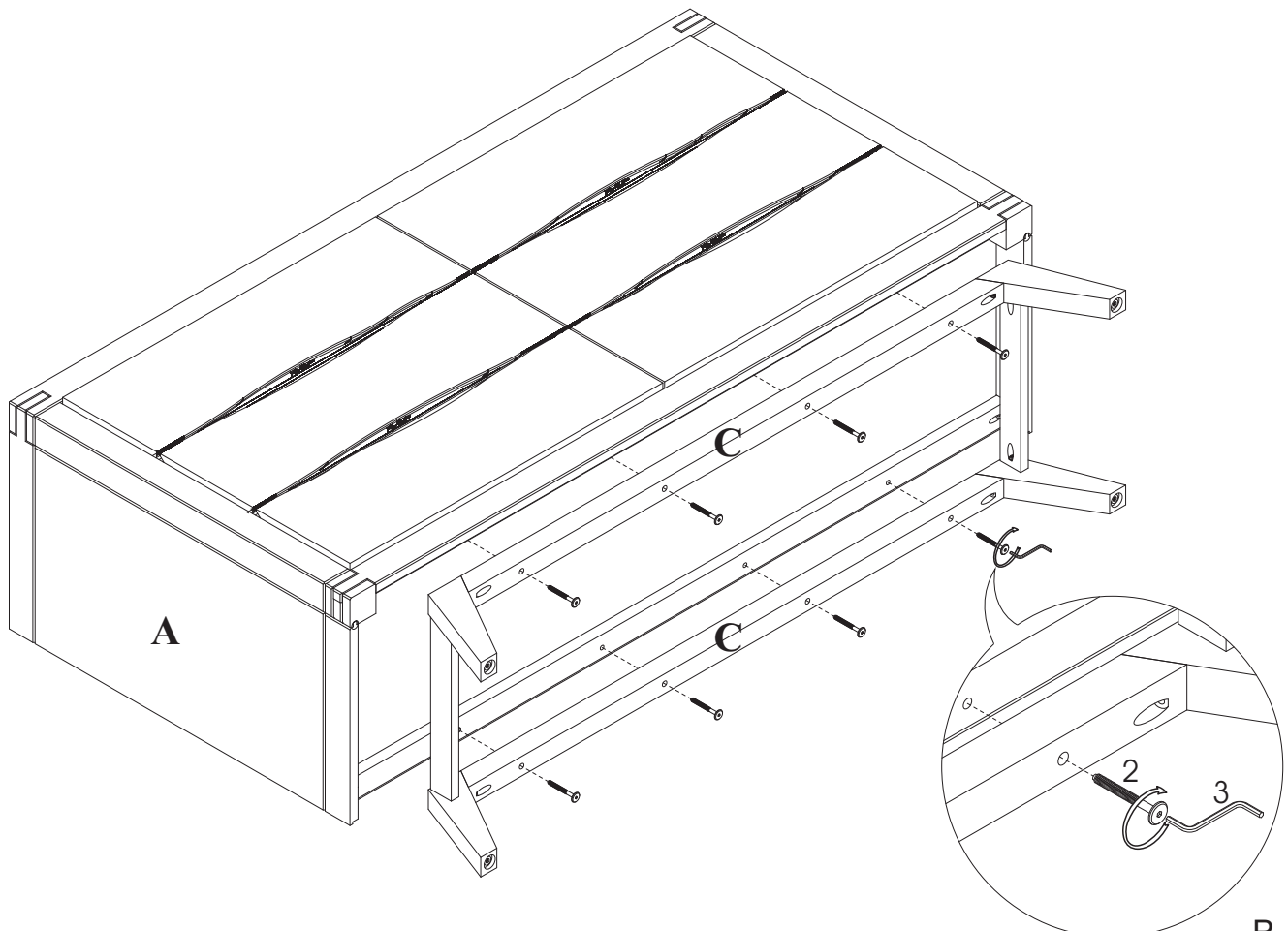
VERY IMPORTANT!!

NEVER USE GLASS CLEANERS ON FINISHED SURFACES. AMMONIA WILL CHEMICALLY ATTACK THE FINISH.	DO NOT WRITE DIRECTLY ON SURFACE  PREVENT MARKING	DO NOT PLACE DIRECTLY IN SUNLIGHT  PREVENT FADING	DO NOT USE PLACEMATS WITH RUBBER BASES  PREVENT DISCOLORING
NEVER ALLOW LIQUIDS OF ANY KIND TO LINGER ON SURFACES. ABSORPTION CAUSES THE WOOD TO WARP AND THE FINISH TO DE-LAMINATE.	DO NOT USE COMMERCIAL POLISHES AND WAXES  PREVENT YELLOWING	DO NOT PLACE HOT POTS, ETC. ON SURFACE  PREVENT DAMAGE TO FINISH!	REGULATE THE HUMIDITY CONDITIONS AT YOUR HOME  PREVENT SPLITTING

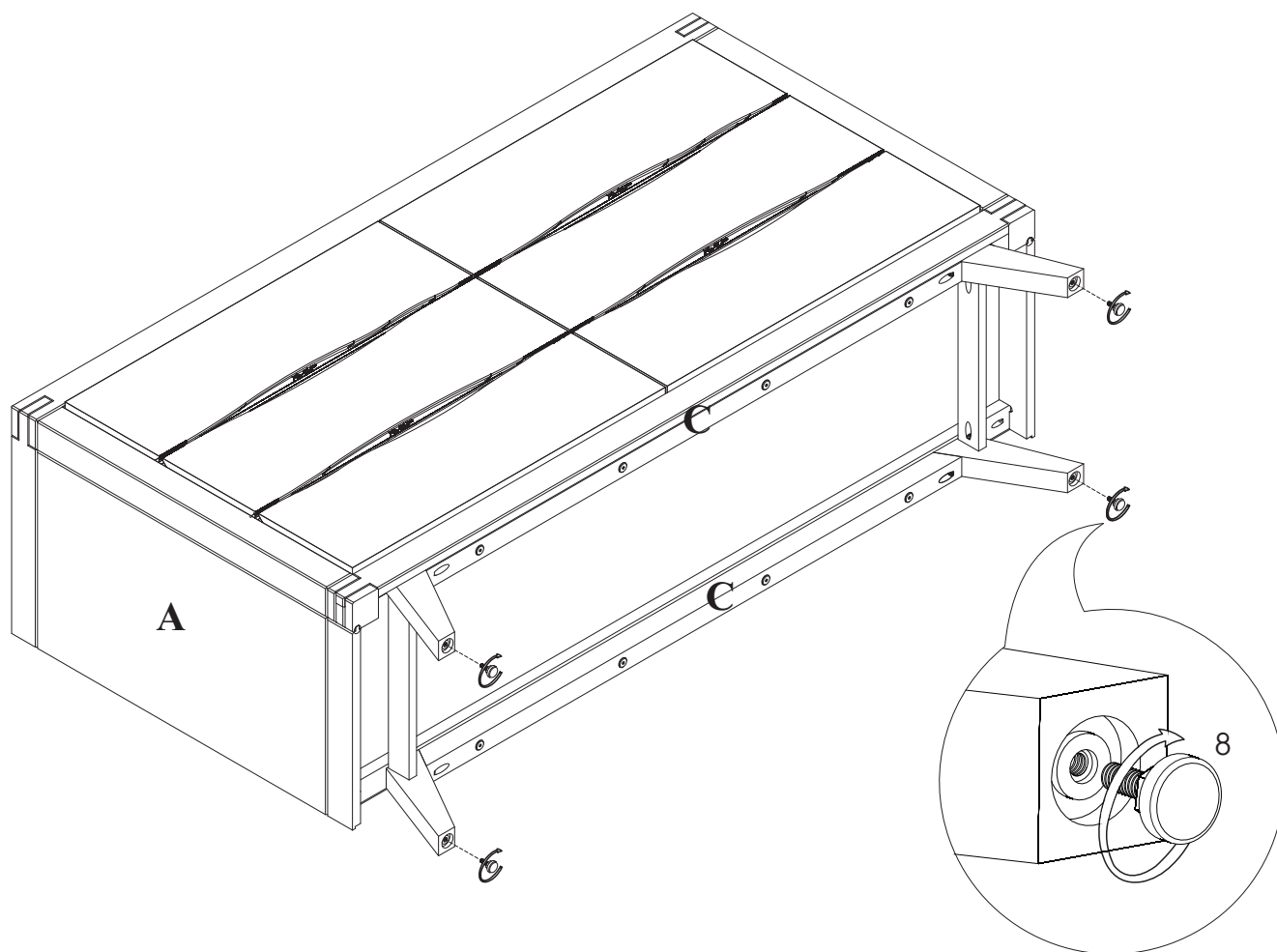
STEP 1: Attach the Side Rails (B) to Legs (C) with Wood Screws (1) and a philips head screw driver (not provided).



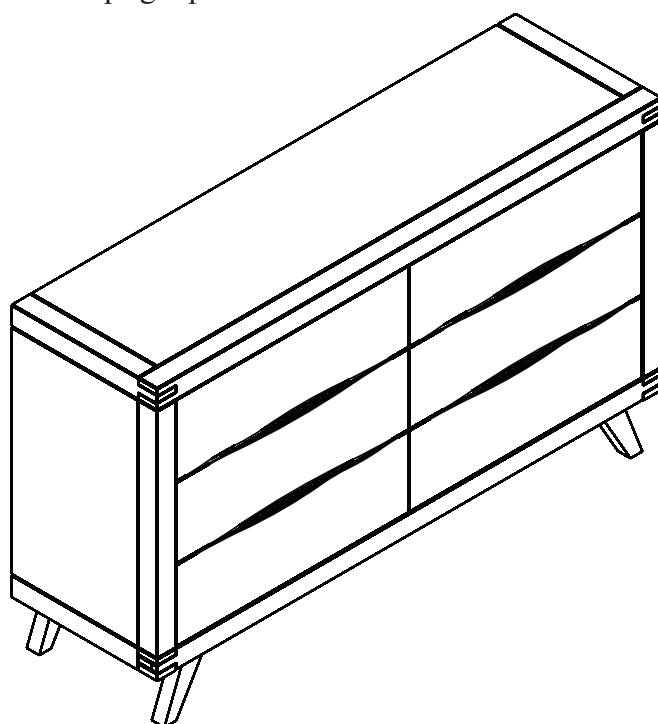
STEP 2: Attach assembled frame on the bottom of the Dresser (A) with screws (2) tighten by Allen Key (3). Fully tighten all the screws.



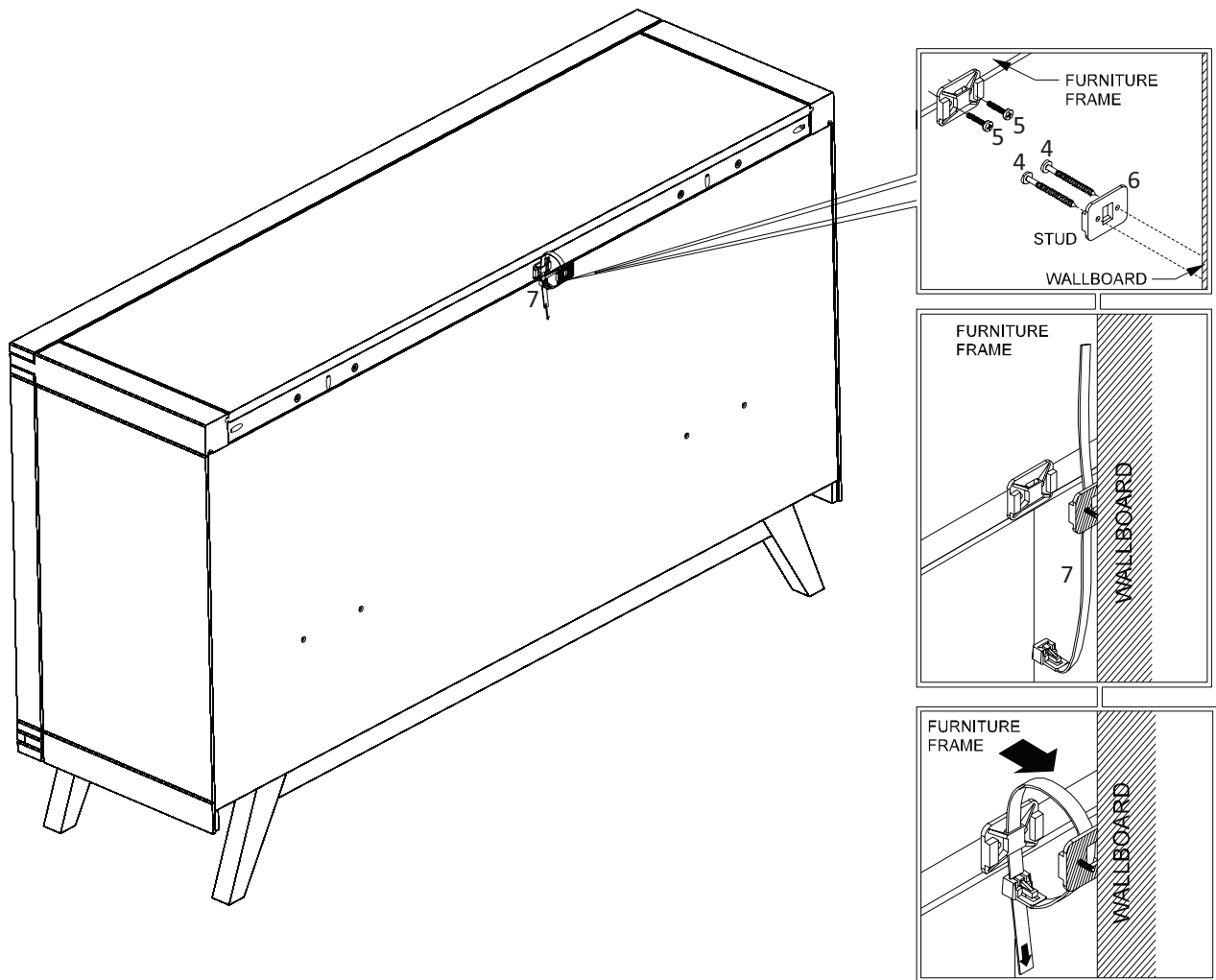
STEP 3: Attach the adjustable feet to legs (C) turn on clockwise.



STEP 4: Put Dresser in the upright position.



STEP 5:



STEP (A) Locate a wall stud behind your furniture. Position a bracket on the stud approximately 1" below the top of the furniture. Mark & drill pilot hole into the center of the stud with a 3/32" drill bit. Attach the bracket to the stud with the screws provided (B).

STEP (B) On the back of the furniture, the bracket will need to be attached to the furniture frame at the top. To do this, temporarily move the furniture into its final position & mark the location of the wall bracket on the furniture frame. Move the furniture away from the wall & place a bracket on the mark. Mark & drill holes for screws with 3/32" drill bit. Attach the screws provided (C).

STEP (C) Move the furniture into its final position, taking care to line up the wall bracket with the furniture bracket. Thread a strap through the bracket as shown in the illustration. Tighten strap until snug. Do not overtighten.


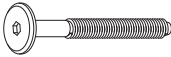





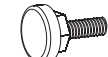
IMPORTANT: Check to be sure the wall bracket is firmly screwed into the wall stud, the furniture bracket is firmly attached to the frame and the strap is snug.

CAUTION: This product is not to be a substitute for proper parental supervision. Manufacturer assumes no liability for improper installation or excessive loads placed on screws, brackets or straps.

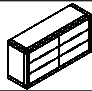


ASSMBLY INSTRUCTION

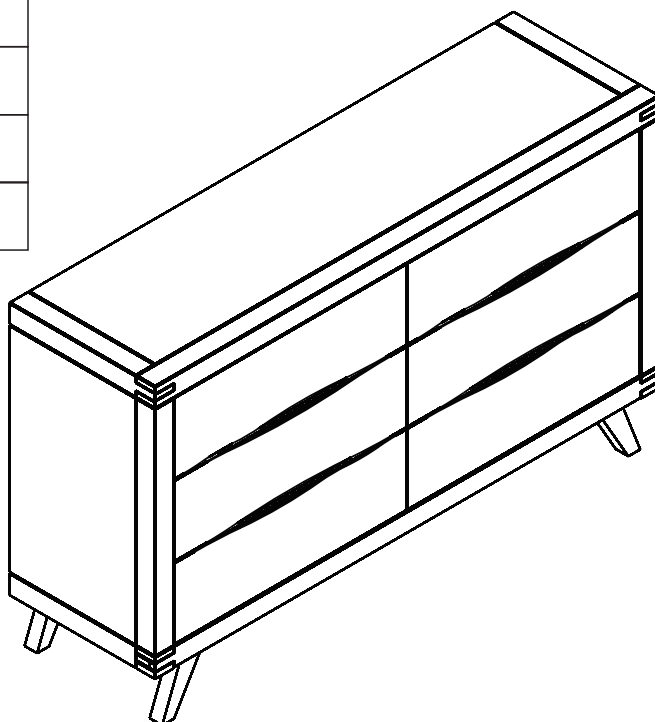
ITEM : AS900DRG

HARDWARE LIST - PAS900DRGH

NO	DESCRIPTION	SKETCH	DIMENSION	QTY
1	WOOD SCREW		4,5*40 mm	4 PCS
2	SCREW		1/4*70 mm	8 PCS
3	ALLEN KEY		4*50 mm	1 PC
4	WOOD SCREW		3,5*40 mm	2 PCS
5	SCREW		3,5*20 mm	2 PCS
6	BRACKET		32*25*5 mm	2 PC
7	STRAP		300*7,60 mm	1 PC
8	ADJUSTABLE FOOT		10* mm	4 PC

PARTS LIST

NO	SKETCH	DESCRIPTION	QTY
A		DRESSER	1 PC
B		SIDE RAIL	2 PCS
C		LEG PAS900DRGL	2 PC



PRODUCT DETALS

Dresser:	Pine wood / Plywood / HDF
Side Rail:	Pine wood
Leg:	Pine wood
Dresser Product Size:	60"x 17.3" x H 30"
Carton Size:	62.8" x 20" x 34.5"
Net Weight:	131.17 LBS
Gross Weight:	140 LBS
Cuff:	25.22'



Item # : AS900MR
 Description : PASCO MIRROR

Product Size : W 44" x D 1" x H 33"

Your furniture purchase is an investment. Here are a few tips to maximize the lifetime of your furniture with a minimum amount of effort. Properly caring for your furniture can help ensure that it looks great year after year.

Wood Furniture Maintenance:

- Always dust, wipe, and clean *with* the grain of the wood.
- Dust with a soft cloth. Dust will scratch the furniture surface if not removed properly.
- Use the same type of polish consistently as interchanging oil-based and wax-based polishes will cause a build-up and result in a foggy or cloudy appearance.
- If a polished surface becomes foggy, rub it with a cloth dipped in a solution of one tablespoon vinegar to one quart of water. Rub softly with the grain until the surface is completely dry.
- Soap and water are not advisable for wood surfaces. Water can penetrate the finish and raise the grain on wood, causing damage.
- Remember to change dusting cloths frequently as dirty cloths may scratch your furniture's surface.

The Enemies of Wood:

- Moisture is wood's worst enemy. Liquid spills should be gently wiped up immediately. Coasters should be used under all beverages.
- Do not allow rubber or vinyl materials to lie on the furniture. Chemicals in rubber may leave a stain. Put a strip of felt or leather under accessories that have rubber or vinyl.
- Heat creates a chemical change in the furniture's finish, which results in a white spot. Use protective pads under hot dishes, appliances, etc.
- Sunlight's ultraviolet rays can damage the finish of furniture. Do not place furniture directly against a heater or radiator and do not place in the path of hot streams of air from central heating. This will cause extreme localized drying of the wood.

High Gloss Resin Table Maintenance:

- Resin tabletops have approximately 1/8" of a resin coat on the top face of the table, which will resist ice, water, wine, liquor, food, cleaning fluids, and warm or hot liquids; however, cups, glasses, etc. containing hot liquids should not be left on the table without a coaster for protection.
- Resin tabletops will scratch just the same as any other glossy surface and basic precautions should be taken.
- For lasting shine, the resin table should be waxed with a car wax that does not contain silicon. Maintaining this wax build-up will result in a high gloss shine.
- When wiping down the table, a soft, clean rag should be used. Do not use a heavy paper.

Granite Top Maintenance:

The surface of the granite on your table has been polished or sealed to create a generally non-porous surface. The stone has many natural characteristics including: veining, hairline cracks, and color variations - which make up the stone's beauty.

To maintain the beauty of your granite:

- Protect surfaces from scratching, staining and etching by:
 - * Keeping them free of debris or sharp objects
 - * Wiping up spills immediately
 - * Avoiding contact with chemicals (particularly acid-based materials)
- Clean with pH neutral products or those especially formulated for use on stone.
 - It is not recommended to use a water-based solvent for dark granite as it will remove the polish from the surface.
- After a period of use, apply a penetrating sealer to prevent contaminants from being absorbed into the stone.
- Remove stains with special absorbent poultices formulated for use on stone.
- Renew the surface on *polished* granite (granite with a high gloss surface) by buffing with special stone polish, powder or cream. Do not use granite polish on granite with a matte finish, which has been honed rather than polished. (Penetrating sealer may be used on both polished and honed granite.)

Marble Top Maintenance:







Marble may be stone, but it is porous stone and can stain easily. Treating marble surfaces the same as wood surfaces is a great rule of thumb.

- It is recommended to seal the tops on a regular basis (every 6 to 12 months). A good quality stone sealer can be purchased from any tiles/stone store or any homecare store and should be applied according to the manufacturer's recommendation.
- When sealed properly, marble tops can be used indoors and outdoors and can withstand any weather conditions except internal freezing. Snow or freezing rain will penetrate the table and cause cracks.

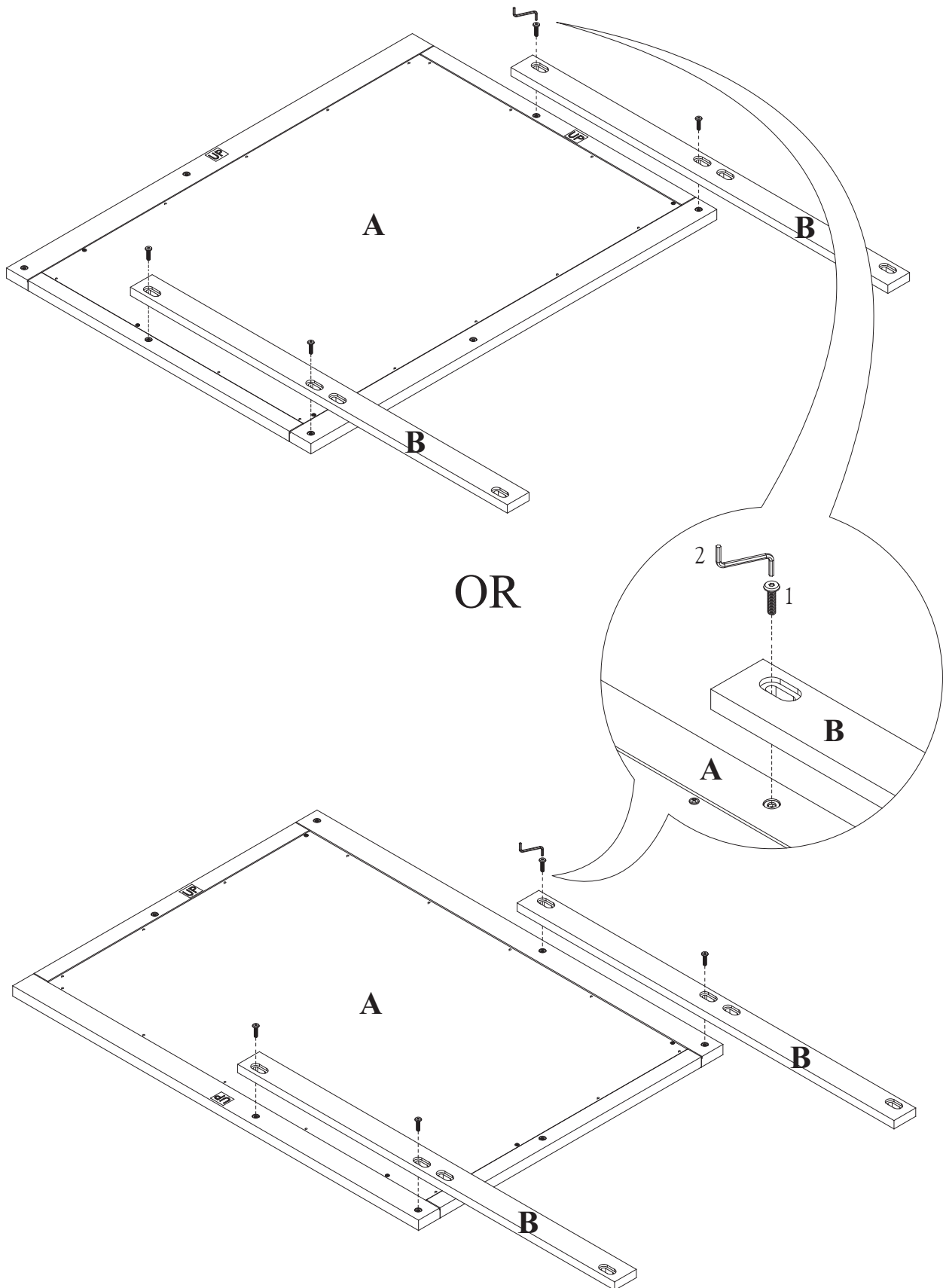
Caring for the Fabric on Upholstered Furniture:

- Frequent vacuuming of the entire upholstered area will prevent dust from settling into the fibers.
- Professional cleaning is always recommended for all upholstered pieces.
- Always pre-test a small area of fabric in an inconspicuous area when cleaning before proceeding.
- Do not use cleaning products containing brightening agents.

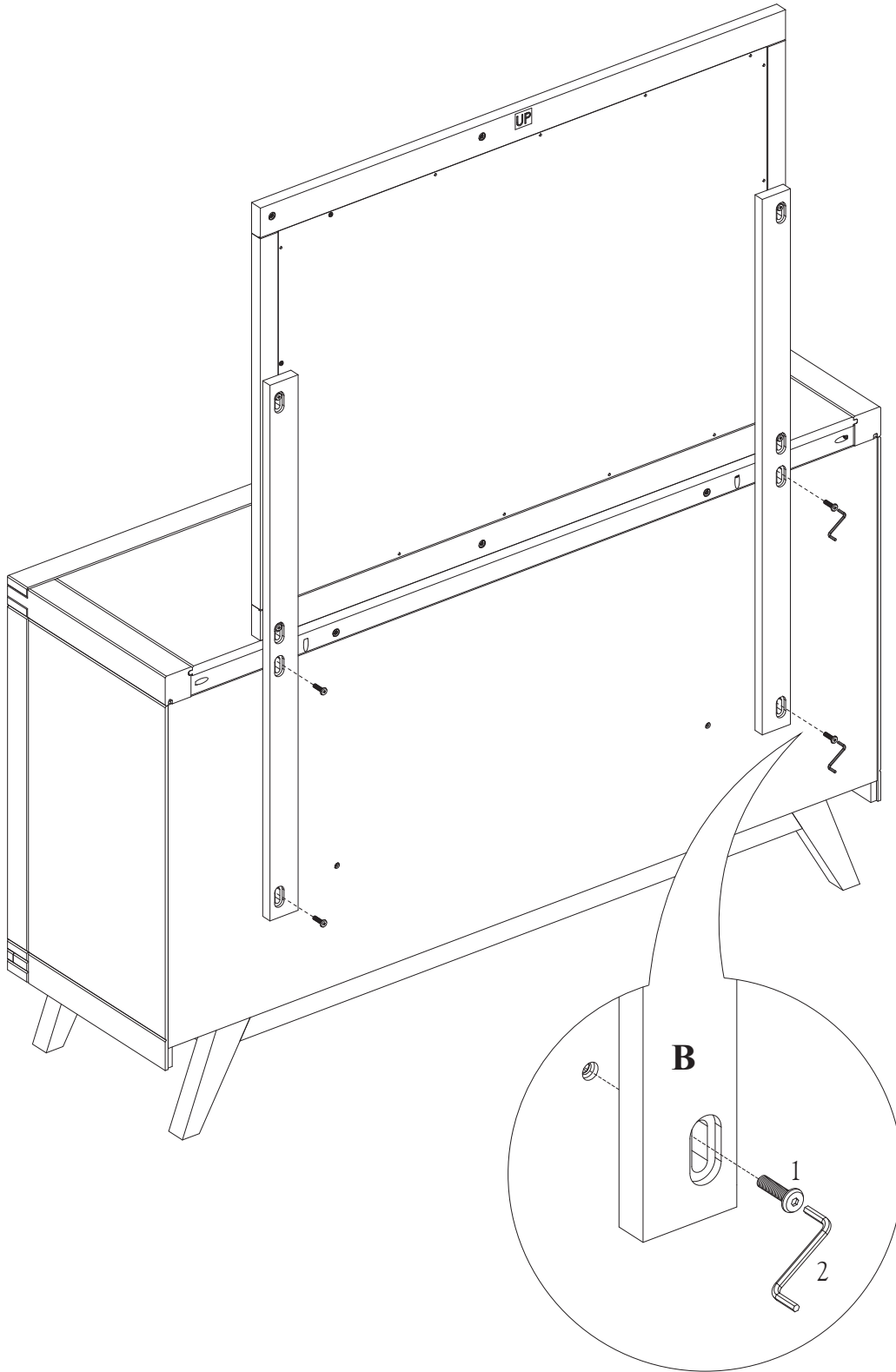
VERY IMPORTANT!!

NEVER USE GLASS CLEANERS ON FINISHED SURFACES. AMMONIA WILL CHEMICALLY ATTACK THE FINISH.	DO NOT WRITE DIRECTLY ON SURFACE  PREVENT MARKING	DO NOT PLACE DIRECTLY IN SUNLIGHT  PREVENT FADING	DO NOT USE PLACEMATS WITH RUBBER BASES  PREVENT DISCOLORING
NEVER ALLOW LIQUIDS OF ANY KIND TO LINGER ON SURFACES. ABSORPTION CAUSES THE WOOD TO WARP AND THE FINISH TO DE-LAMINATE.	DO NOT USE COMMERCIAL POLISHES AND WAXES  PREVENT YELLOWING	DO NOT PLACE HOT POTS, ETC. ON SURFACE  PREVENT DAMAGE TO FINISH!	REGULATE THE HUMIDITY CONDITIONS AT YOUR HOME  PREVENT SPLITTING

STEP 1: Please choose the desired position of the mirror, landscape or portrait. See the «UP» label for the correct position. Attach the Support Rails (B) to Mirror (A) with Bolts (1) using Allen Key (2).



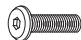

STEP 2: Attach the Support Rails (B) to Dresser with Bolts (1) using Allen Key (2) and fully tighten all the screws.



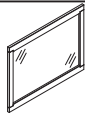

ASSMBLY INSTRUCTION

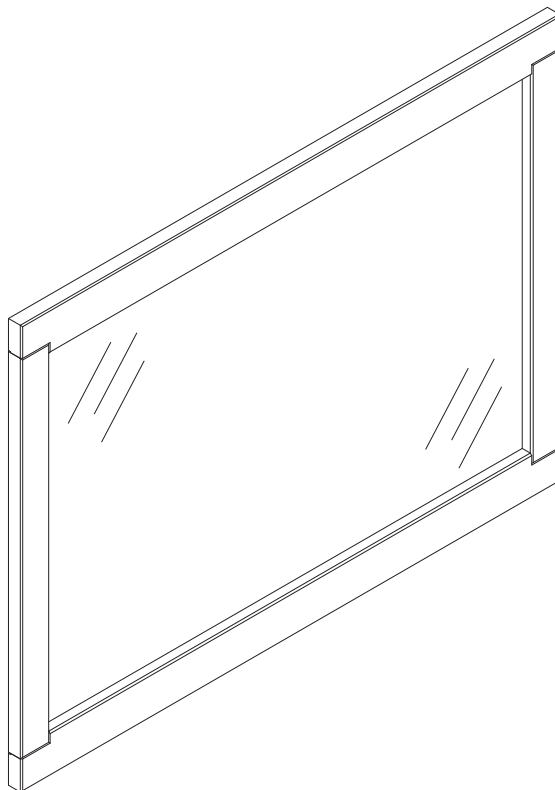
ITEM : AS900MR

HARDWARE LIST - PAS900MRH

NO	DESCRIPTION	SKETCH	DIMENSION	QTY
1	BOLT		1/4*30 mm	8 PCS
2	ALLEN KEY		4*50 mm	1 PC

PARTS LIST

NO	SKETCH	DESCRIPTION	QTY
A		MIRROR	1 PC
B		SUPPORT RAIL PAS900MRR	2 PCS



PRODUCT DETAILS

Mirror:	Pine wood / MDF
Support Rail:	Pine wood
Mirror Product Size:	44" x 1" x H 33"
Carton Size:	49" x 38" x 3,5"
Net Weight:	24.7 LBS
Gross Weight:	30 LBS
Cuft:	3.72'



Item # : AS900NSG
 Description : PASCO NIGHTSTAND

Product Size : W 22" x D 17.5" x H 23"

Your furniture purchase is an investment. Here are a few tips to maximize the lifetime of your furniture with a minimum amount of effort. Properly caring for your furniture can help ensure that it looks great year after year.

Wood Furniture Maintenance:

- Always dust, wipe, and clean *with* the grain of the wood.
- Dust with a soft cloth. Dust will scratch the furniture surface if not removed properly.
- Use the same type of polish consistently as interchanging oil-based and wax-based polishes will cause a build-up and result in a foggy or cloudy appearance.
- If a polished surface becomes foggy, rub it with a cloth dipped in a solution of one tablespoon vinegar to one quart of water. Rub softly with the grain until the surface is completely dry.
- Soap and water are not advisable for wood surfaces. Water can penetrate the finish and raise the grain on wood, causing damage.
- Remember to change dusting cloths frequently as dirty cloths may scratch your furniture's surface.

The Enemies of Wood:

- Moisture is wood's worst enemy. Liquid spills should be gently wiped up immediately. Coasters should be used under all beverages.
- Do not allow rubber or vinyl materials to lie on the furniture. Chemicals in rubber may leave a stain. Put a strip of felt or leather under accessories that have rubber or vinyl.
- Heat creates a chemical change in the furniture's finish, which results in a white spot. Use protective pads under hot dishes, appliances, etc.
- Sunlight's ultraviolet rays can damage the finish of furniture. Do not place furniture directly against a heater or radiator and do not place in the path of hot streams of air from central heating. This will cause extreme localized drying of the wood.

High Gloss Resin Table Maintenance:

- Resin tabletops have approximately 1/8" of a resin coat on the top face of the table, which will resist ice, water, wine, liquor, food, cleaning fluids, and warm or hot liquids; however, cups, glasses, etc. containing hot liquids should not be left on the table without a coaster for protection.
- Resin tabletops will scratch just the same as any other glossy surface and basic precautions should be taken.
- For lasting shine, the resin table should be waxed with a car wax that does not contain silicon. Maintaining this wax build-up will result in a high gloss shine.
- When wiping down the table, a soft, clean rag should be used. Do not use a heavy paper.

Granite Top Maintenance:

The surface of the granite on your table has been polished or sealed to create a generally non-porous surface. The stone has many natural characteristics including: veining, hairline cracks, and color variations - which make up the stone's beauty.

To maintain the beauty of your granite:

- Protect surfaces from scratching, staining and etching by:
 - * Keeping them free of debris or sharp objects
 - * Wiping up spills immediately
 - * Avoiding contact with chemicals (particularly acid-based materials)
- Clean with pH neutral products or those especially formulated for use on stone.
 - It is not recommended to use a water-based solvent for dark granite as it will remove the polish from the surface.
- After a period of use, apply a penetrating sealer to prevent contaminants from being absorbed into the stone.
- Remove stains with special absorbent poultices formulated for use on stone.
- Renew the surface on *polished* granite (granite with a high gloss surface) by buffing with special stone polish, powder or cream. Do not use granite polish on granite with a matte finish, which has been honed rather than polished. (Penetrating sealer may be used on both polished and honed granite.)

Marble Top Maintenance:







Marble may be stone, but it is porous stone and can stain easily. Treating marble surfaces the same as wood surfaces is a great rule of thumb.

- It is recommended to seal the tops on a regular basis (every 6 to 12 months). A good quality stone sealer can be purchased from any tiles/stone store or any homecare store and should be applied according to the manufacturer's recommendation.
- When sealed properly, marble tops can be used indoors and outdoors and can withstand any weather conditions except internal freezing. Snow or freezing rain will penetrate the table and cause cracks.

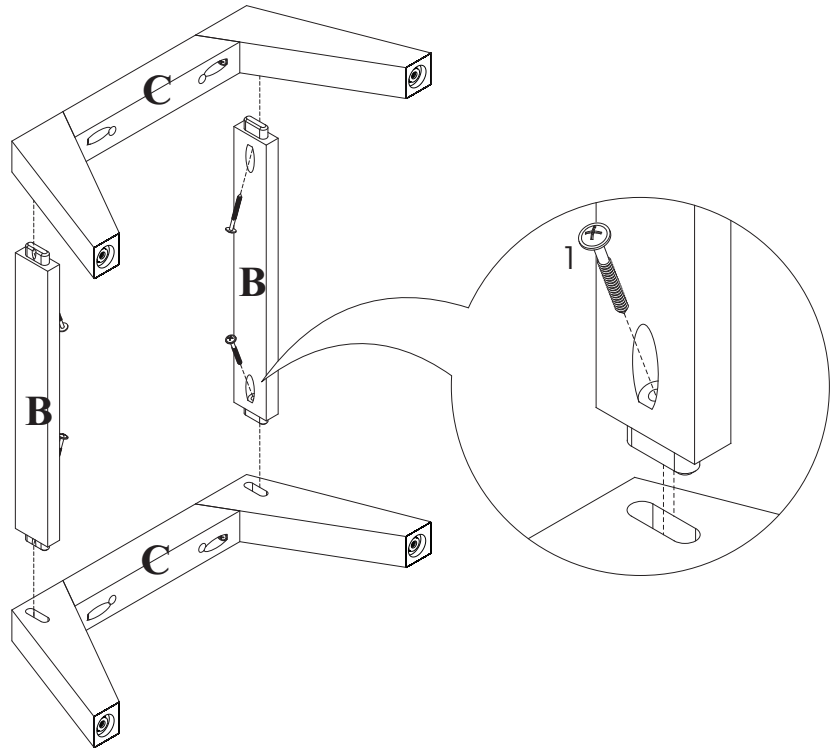
Caring for the Fabric on Upholstered Furniture:

- Frequent vacuuming of the entire upholstered area will prevent dust from settling into the fibers.
- Professional cleaning is always recommended for all upholstered pieces.
- Always pre-test a small area of fabric in an inconspicuous area when cleaning before proceeding.
- Do not use cleaning products containing brightening agents.

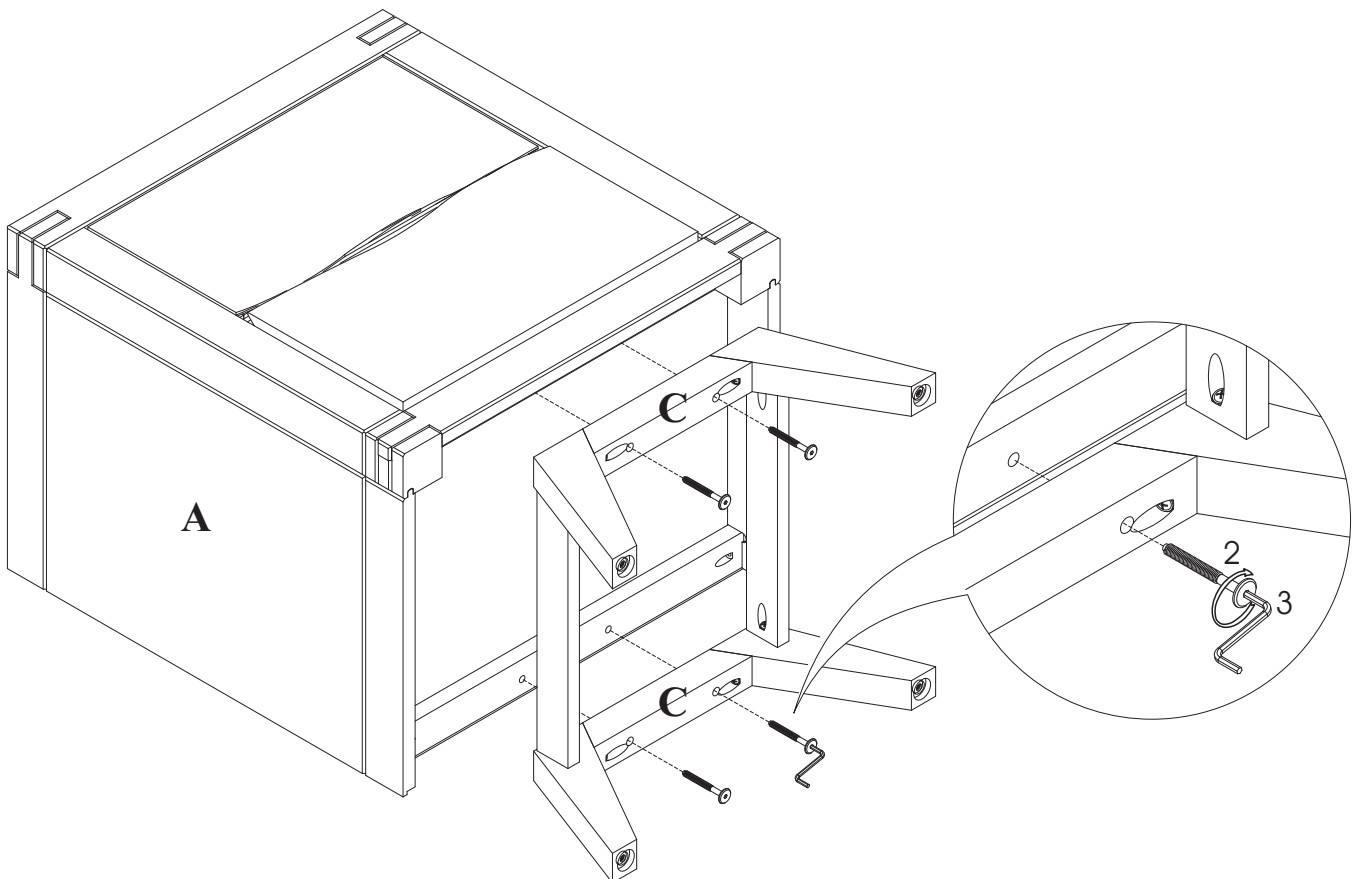
VERY IMPORTANT!!

<p>NEVER USE GLASS CLEANERS ON FINISHED SURFACES. AMMONIA WILL CHEMICALLY ATTACK THE FINISH.</p>	<p>DO NOT WRITE DIRECTLY ON SURFACE </p> <p>PREVENT MARKING</p>	<p>DO NOT PLACE DIRECTLY IN SUNLIGHT </p> <p>PREVENT FADING</p>	<p>DO NOT USE PLACEMATS WITH RUBBER BASES </p> <p>PREVENT DISCOLORING</p>
<p>NEVER ALLOW LIQUIDS OF ANY KIND TO LINGER ON SURFACES. ABSORPTION CAUSES THE WOOD TO WARP AND THE FINISH TO DE-LAMINATE.</p>	<p>DO NOT USE COMMERCIAL POLISHES AND WAXES </p> <p>PREVENT YELLOWING</p>	<p>DO NOT PLACE HOT POTS, ETC. ON SURFACE </p> <p>PREVENT DAMAGE TO FINISH!</p>	<p>REGULATE THE HUMIDITY CONDITIONS AT YOUR HOME </p> <p>PREVENT SPLITTING</p>

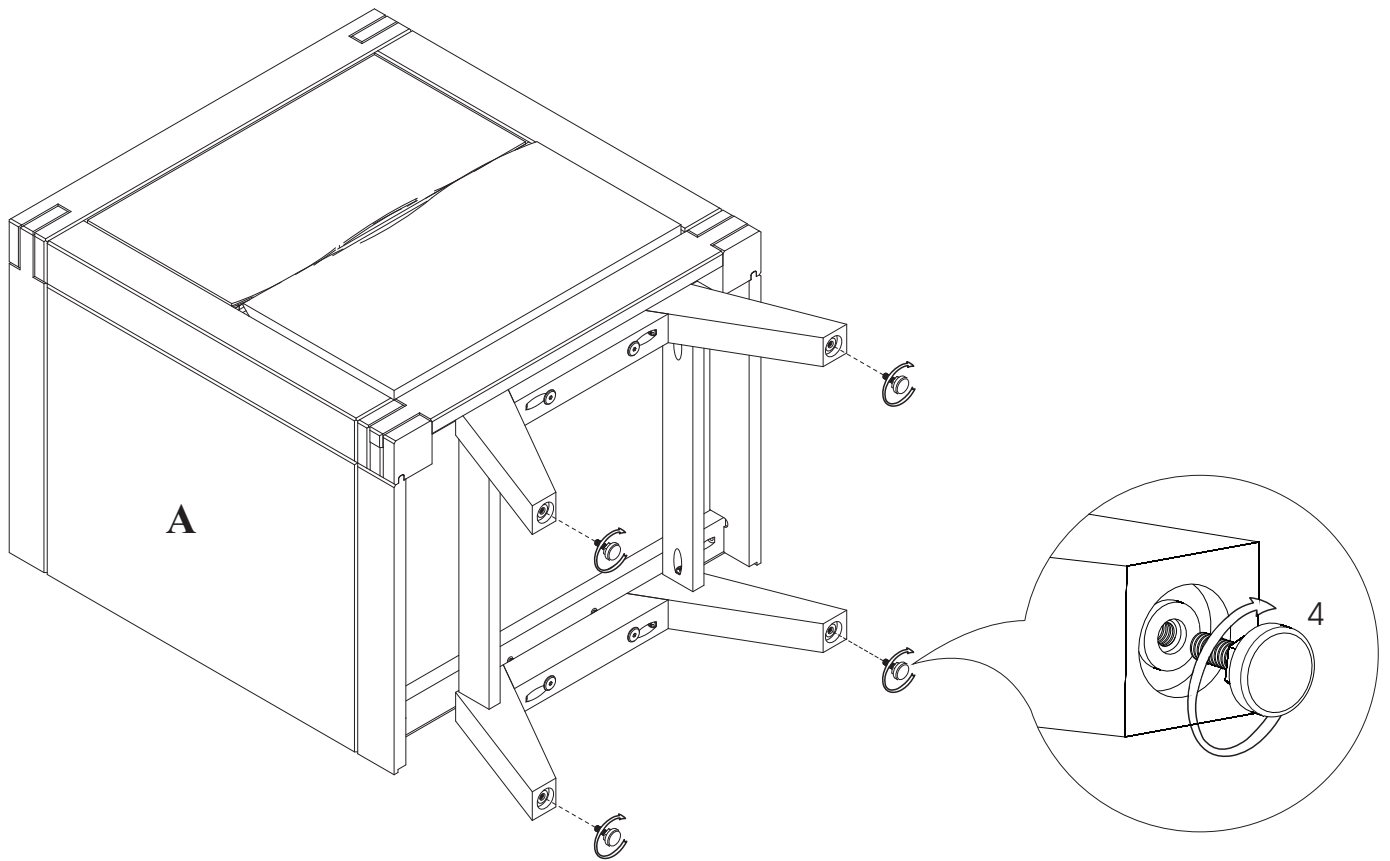
STEP 1: Attach the Side Rails (B) to Legs (C) with Wood Screws (1) and a philips head screw driver (not provided).



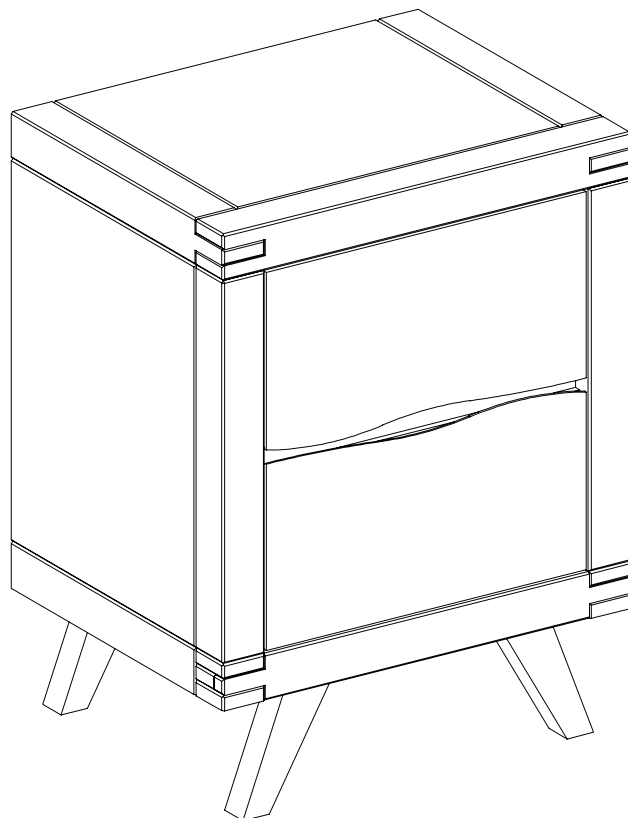
STEP 2: Attach assembled frame on the bottom of the Nighstand (A) with screws (2) tighten by Allen Key (3). Fully tighten all the screws.



STEP 3: Attach the adjustable feet to legs (C) turn on clockwise.




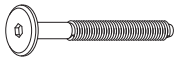
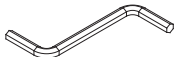
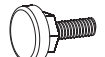
STEP 4: Put Nightstand in the right position.
Product assembly is now complete.



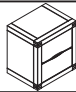

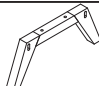
ASSMBLY INSTRUCTION

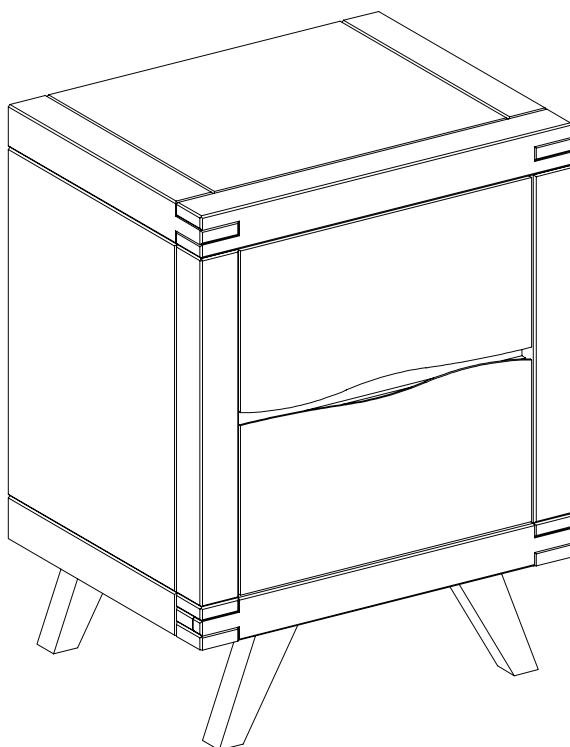
ITEM : AS900NSG

HARDWARE LIST - PAS900NSGH

NO	DESCRIPTION	SKETCH	DIMENSION	QTY
1	WOOD SCREW		4,5*40 mm	4 PCS
2	SCREW		1/4*70 mm	4 PCS
3	ALLEN KEY		4*50 mm	1 PC
4	ADJUSTABLE FOOT		10* mm	4 PC

PARTS LIST

NO	SKETCH	DESCRIPTION	QTY
A		NIGHTSTAND	1 PC
B		SIDE RAIL	2 PCS
C		LEG PAS900NSGL	2 PC



PRODUCT DETAILS

Nightstand:	Pine wood / Plywood / HDF
Side Rail:	Pine wood
Leg:	Pine wood
Nightstand Product Size:	22"x 17.5" x H 23"
Carton Size:	26" x 21.5" x 29"
Net Weight:	41.6 LBS
Gross Weight:	46.9 LBS
Cuff:	9.23'