



ITEM # AP460SB

Papillon 13 Drawers Sideboard

46" X 16" X 35.50"

Your furniture purchase is an investment. Here are a few tips to maximize the lifetime of your furniture with a minimal amount of effort. Properly caring for your furniture can help ensure that it looks great year after year.

Wood Furniture Maintenance:

- Always dust, wipe, and clean with the grain of the wood.
- Dust with a soft cloth. Dust will scratch the furniture surface if not removed properly.
- If a polished surface becomes foggy, rub it with a cloth dipped in a solution of one tablespoon vinegar to one quart of water. Rub softly with the grain until the surface is completely dry.
- Soap and water are not advisable for wood surfaces. Water can penetrate the finish and raise the grain on wood, causing damage.
- Remember to change dusting cloths frequently as dirty cloths may scratch your furniture's surface.

The Enemies of Wood:

- Moisture is wood's worst enemy. Liquid spills should be gently wiped up immediately. Coasters should be used under all beverages.
- Do not allow rubber or vinyl materials to lie on the furniture. Chemicals in rubber may leave a stain. Put a strip of felt or leather under accessories that have rubber or vinyl.
- Heat creates a chemical change in the furniture's finish, which result in a white spot. Use protective pads under hot dishes, appliances, etc.
- Sunlight's ultraviolet rays can damage the finish of furniture. Do not place furniture directly against a heater or radiator and do not place in the path of hot streams of air from central heating. This will cause extreme localized drying of the wood.

Marble Top Maintenance:

The surface of the marble on your table has been polished and sealed to create a generally non-porous surface. The stone has many natural characteristics including veining, hairline cracks, and color variations, which make up the stone's beauty.

To maintain the beauty of your marble:

- Protect surfaces from scratching, staining and etching by:
 - Keeping them free of debris or sharp objects.
 - Wiping up spills immediately
 - Avoiding contact with chemicals (particularly acid-based materials)
- Clean with PH neutral products or those especially formulated for use on stone.
- It is not recommended to use a water-based solvent for dark marble as it will remove the polish from the surface.

Caring for the Fabric on Upholstered Furniture:

- Frequent vacuuming of the entire upholstered area will prevent dust from settling into the fibers.
- Professional cleaning is always recommended for all upholstered pieces.
- Do not use cleaning products containing brightening agents.

VERY IMPORTANT!!

NEVER
USE GLASS CLEANERS
ON FINISHED SURFACES.
AMMONIA WILL
CHEMICALLY ATTACK
THE FINISH.

DO NOT
WRITE
DIRECTLY
ON
SURFACE



**PREVENT
MARKING**

DO NOT
PLACE
DIRECTLY
IN
SUNLIGHT



**PREVENT
FADING**

DO NOT
USE
PLACEMATS
WITH
RUBBER
BASES



**PREVENT
DISCOLORING**

NEVER
ALLOW LIQUIDS OF ANY
KIND TO LINGER ON
SURFACES. ABSORPTION
CAUSES THE WOOD TO
WARP AND THE FINISH
TO DE-LAMINATE.

DO NOT USE
COMMERCIAL
POLISHES
AND WAXES



**PREVENT
YELLOWING**

DO NOT
PLACE HOT
POTS, ETC
ON
SURFACE



**PREVENT
DAMAGE TO
FINISH!**

REGULATE
THE
HUMIDITY
CONDITIONS
AT YOUR
HOME



**PREVENT
SPLITTING**

ITEM# AP460SB

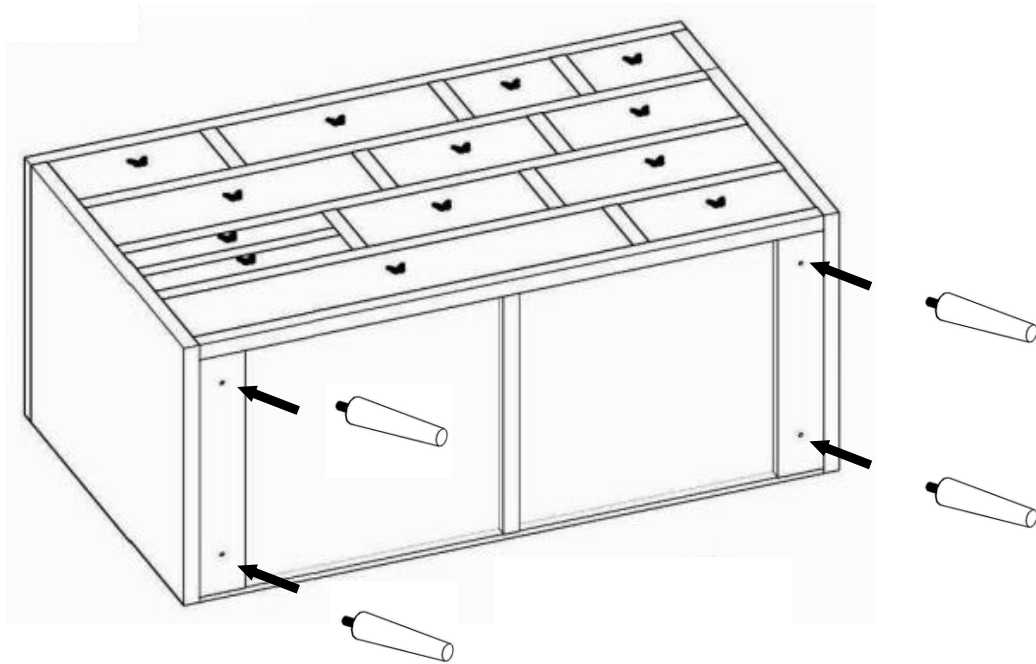
Assembly Instruction

Put all screws in loosely at first.

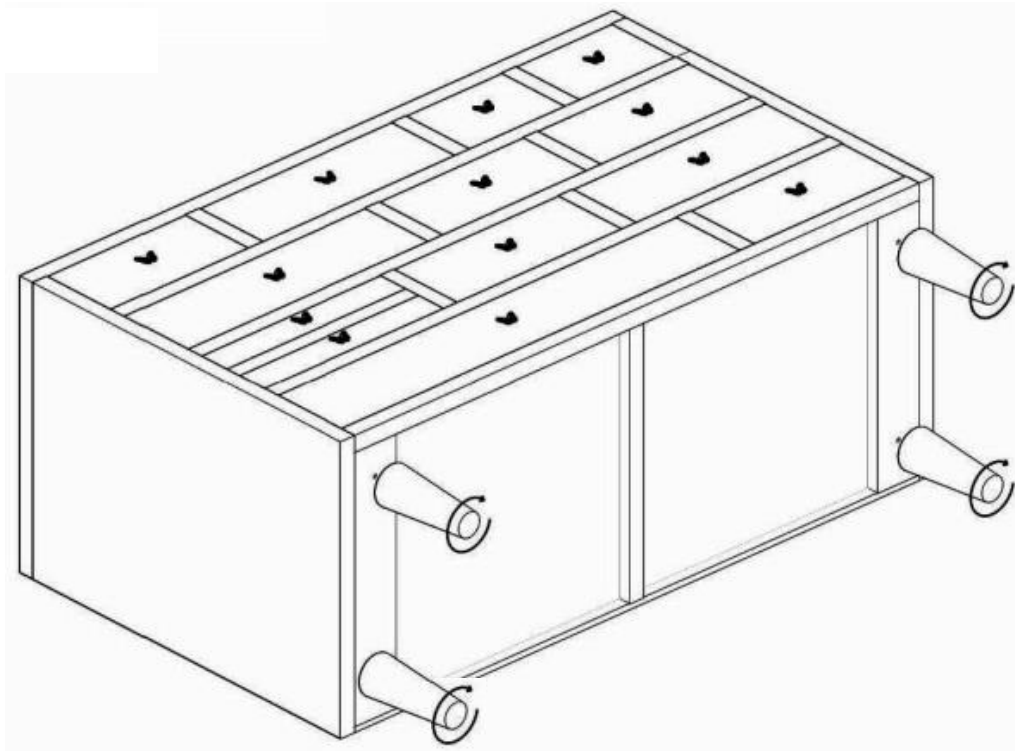
Do not tighten screws & bolts until the entire item is completely assembled.

Note: More than 2 people assemble required

STEP: 1



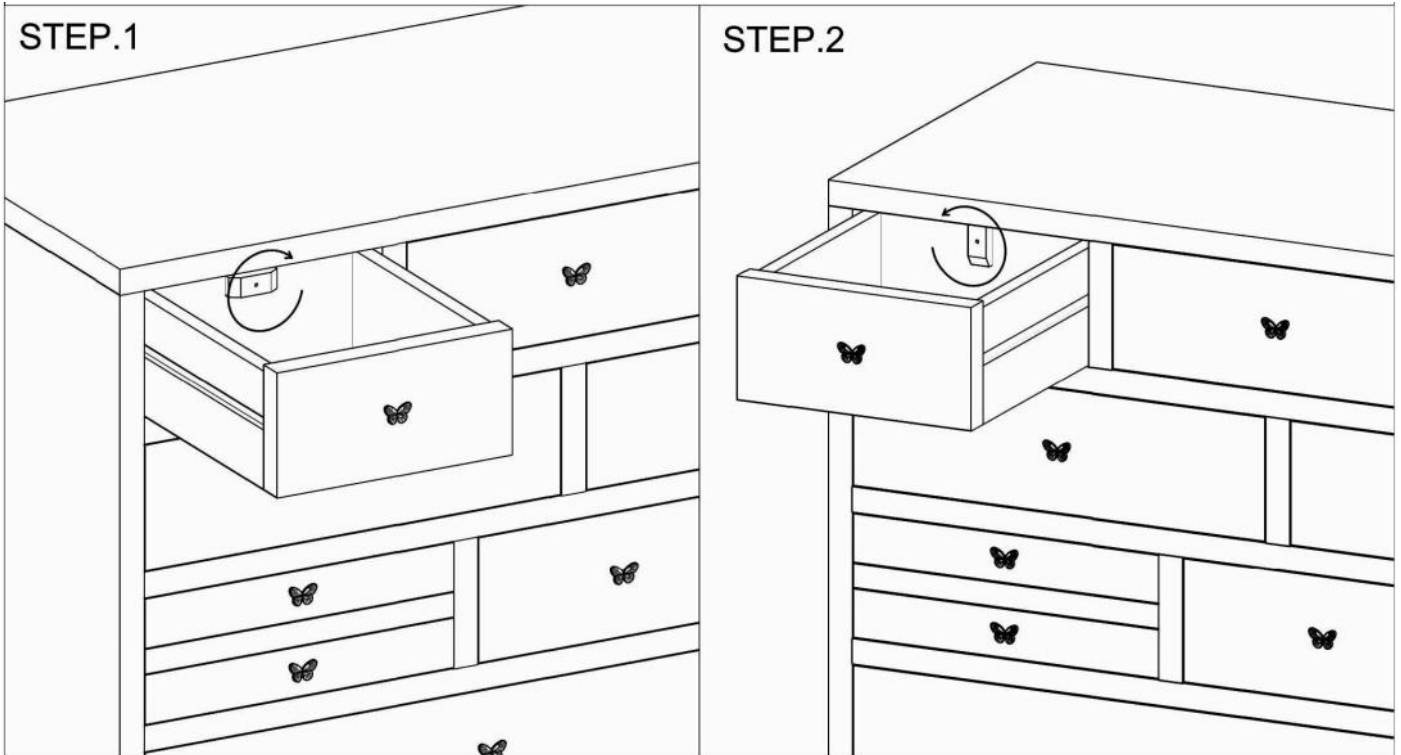
STEP: 2



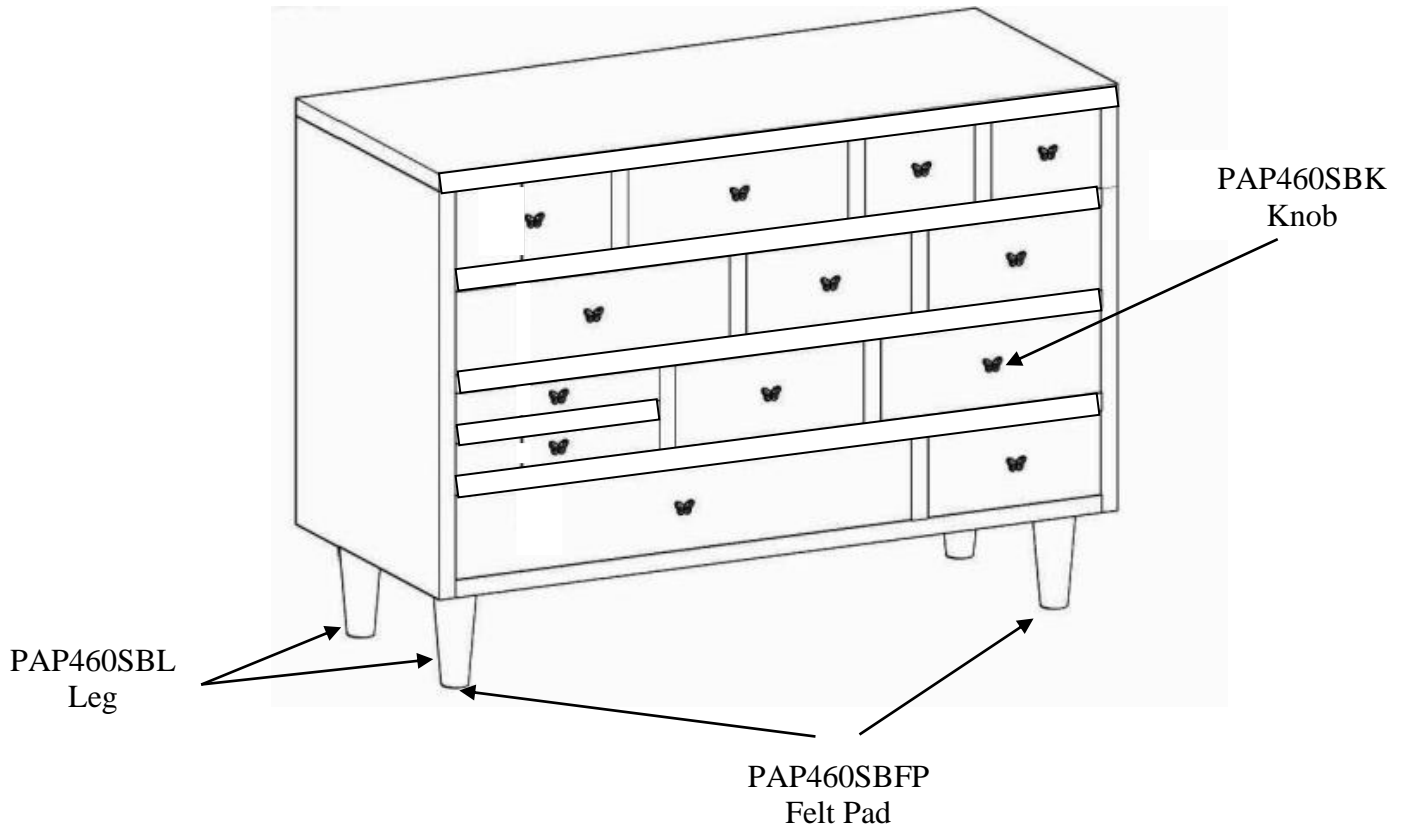
ITEM# AP460SB

Assembly Instruction

Note: To remove drawer rotate the lock clockwise.

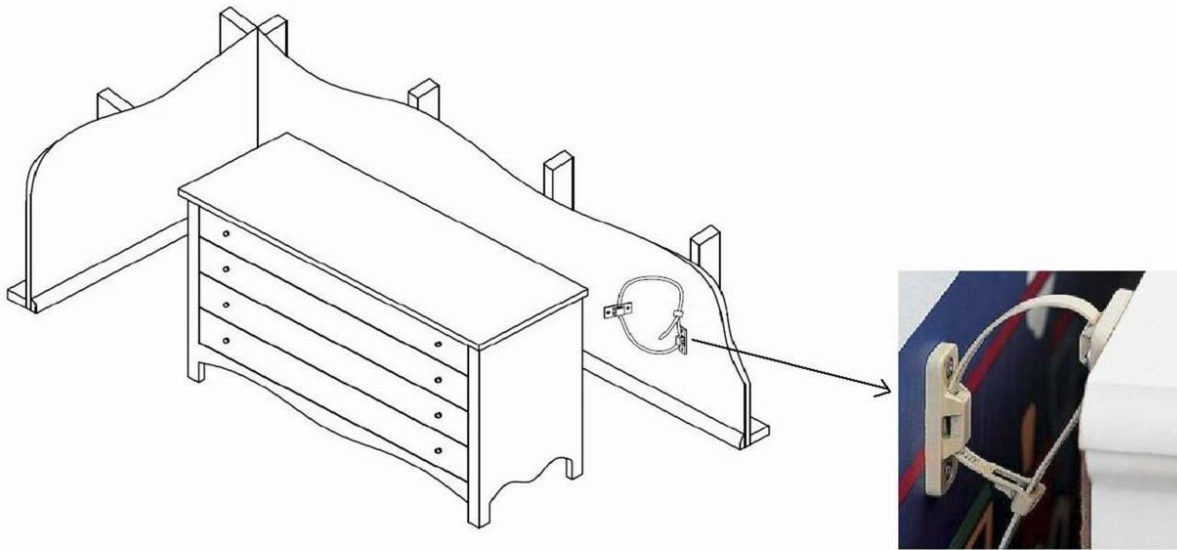


PARTS FOR AP460SB



PRODUCT DETAILS	
SIDEBOARD	MANGO WOOD & MDF
DRAWERS	MANGO WOOD & MDF
LEGS	MANGO WOOD & IRON
FELT PAD	RUBBER
KNOB	IRON
PRODUCT SIZE	46" X 16" X 35.50"
CARTON SIZE	50.50" X 21.25" X 34.25"
NET WEIGHT	124.630 LBS
GROSS WEIGHT	147.290 LBS
CU.FT.	21.27
MADE IN INDIA	

ANTI-TIPPING INSTRUCTIONS



Parts Enclosed:

Wallboards
4pcs



Dry wall anchors
4pcs



Long screws
4pcs



Short screws
4pcs



Straps
2pcs



Installation Instructions:

1. Using short screws, attach one of the wallboards toward one side of the rear of the furniture frame below the level of the top. Repeat this step for the opposite side of the back of the furniture frame.
2. Move furniture into its final position to measure and mark location to attach the wallboards to the wall. Then, move the furniture out the way so that the wallboards can then be mounted to the wall.
3. Attach the wallboards to the marked locations on the wall with long screws. Use dry wall anchors if you are mounting to dry wall.
4. Move the furniture into its final position. Thread the strap through the wallboards as shown above. Carefully tighten strap until snug, but do not overtighten.