

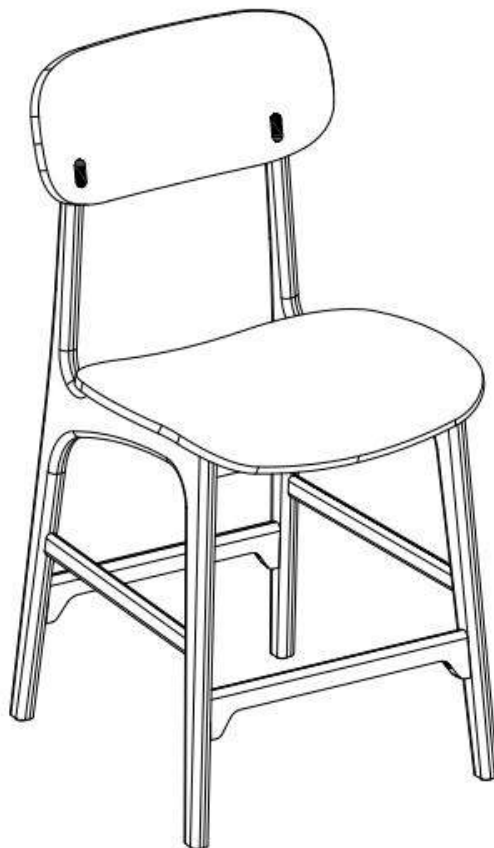


Boraam Industries

ASSEMBLY INSTRUCTIONS

SKU: 60024, 60324, 60724, 60029, 60329, 60729

SOLVANG STOOL



Version: 02
09/07/2023



Have questions about assembling your item?



Items or parts damaged?



Missing a part?

We're here to help! (Monday-Friday from 9am-5pm CST)



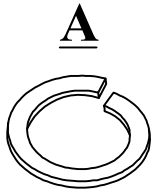
847-949-6300
877-267-2261



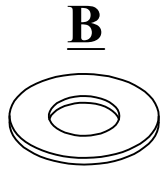
customerservice@
boraamindustries.com



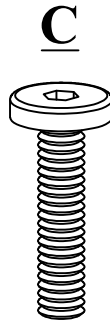
www.boraamindustries.com



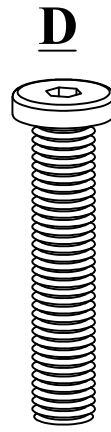
SPRING WASHER
M8*12
6 PCS



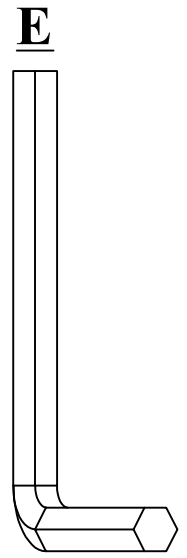
FLAT WASHER
M8*16
6 PCS



BOLT
M6*30
2 PCS

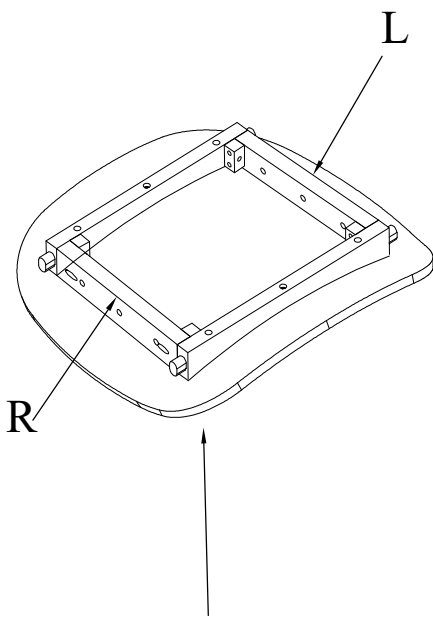


BOLT
M8*45
10 PCS



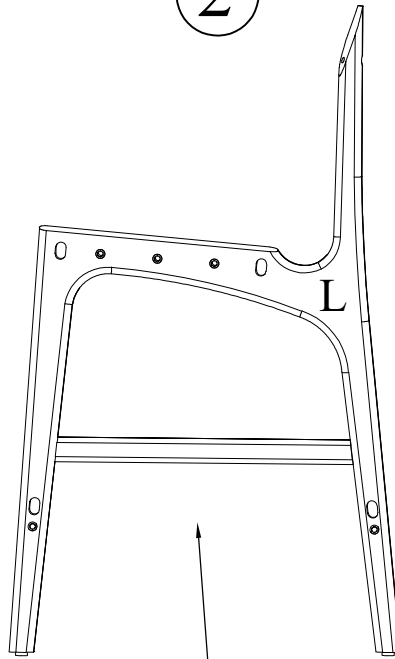
ALLEN WRENCH
1 PC

1



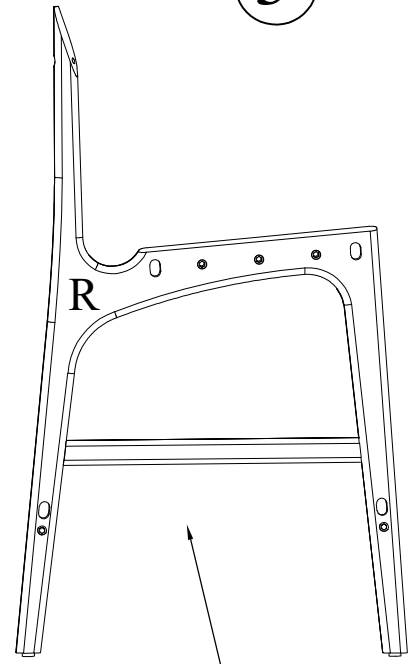
SEAT WITH FRAME

2



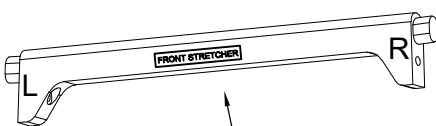
SIDE LEG-L

3



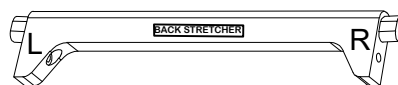
SIDE LEG-R

4



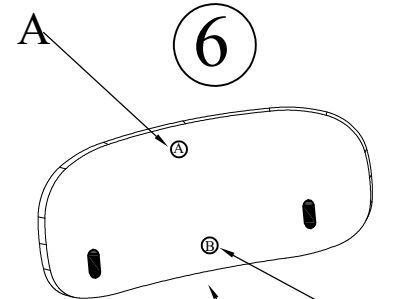
FRONT STRETCHER

5



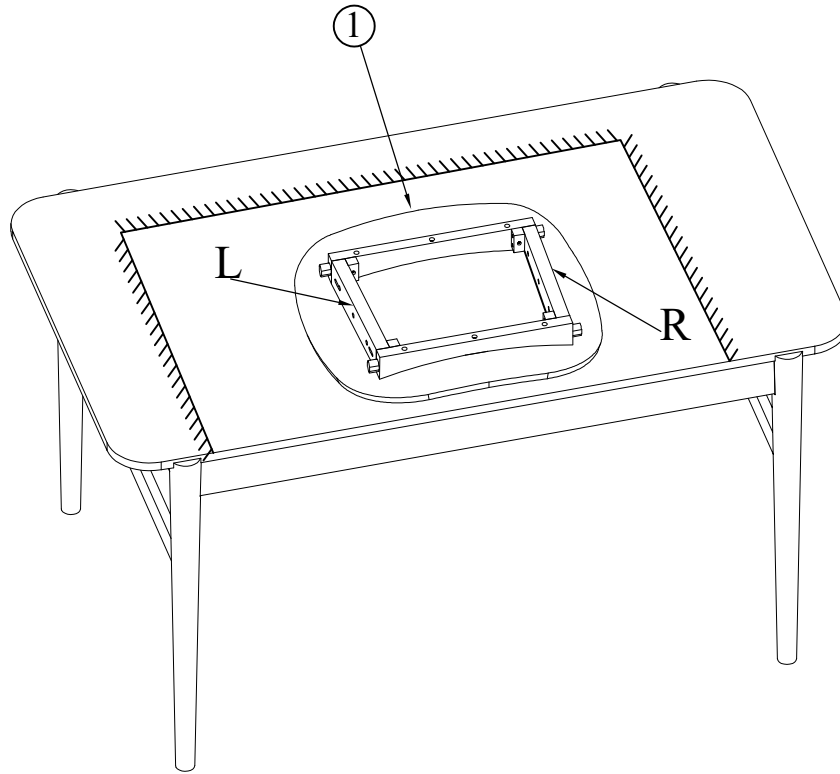
BACK STRETCHER

6

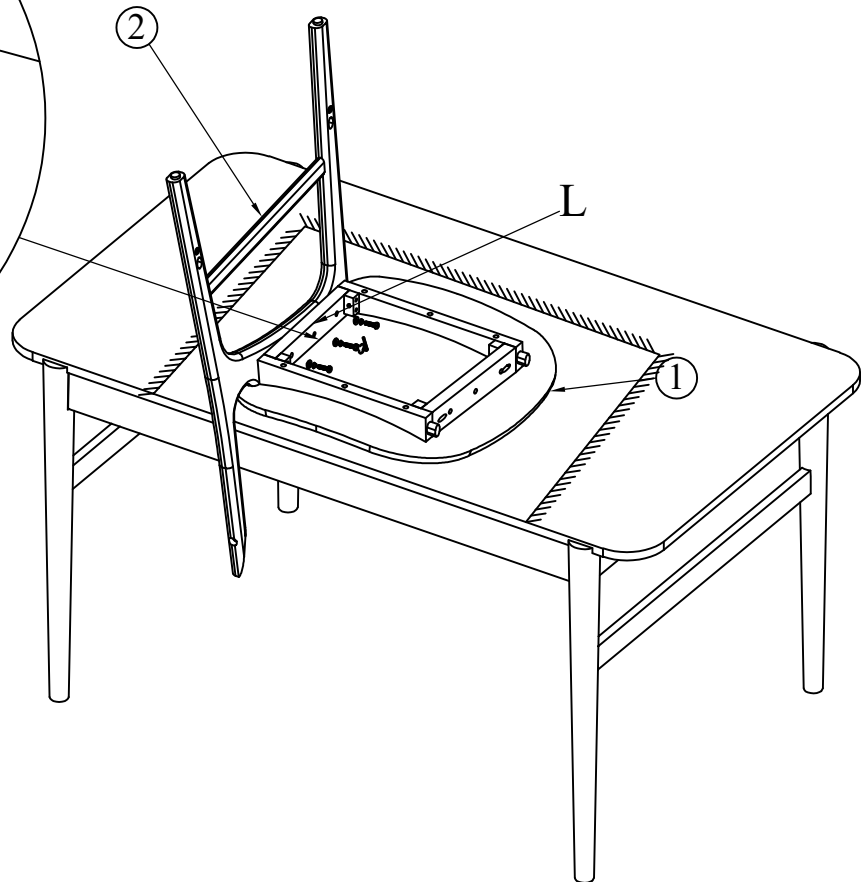
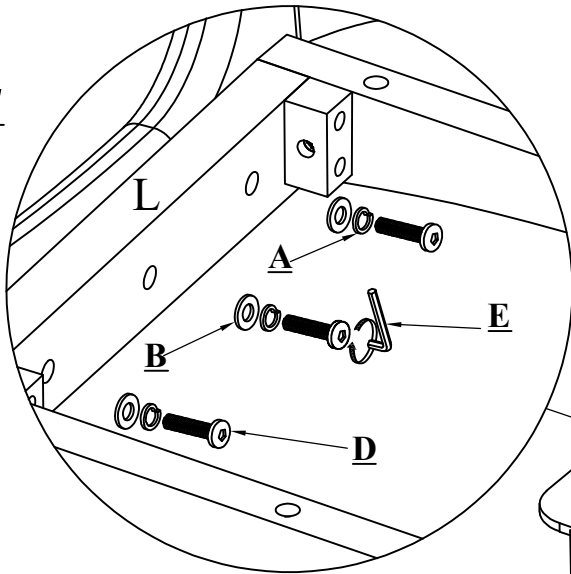




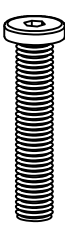
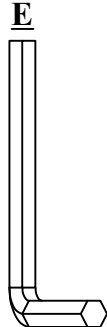
BACKREST

01



02

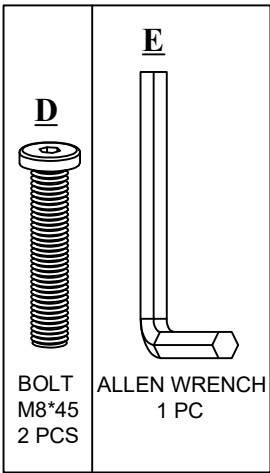
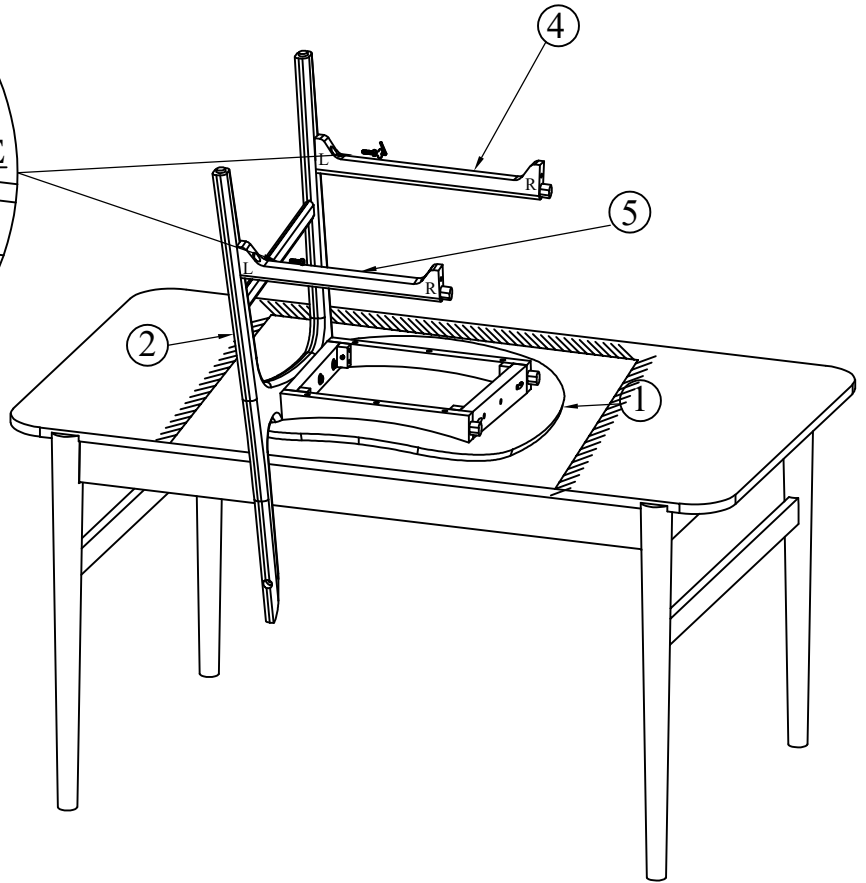
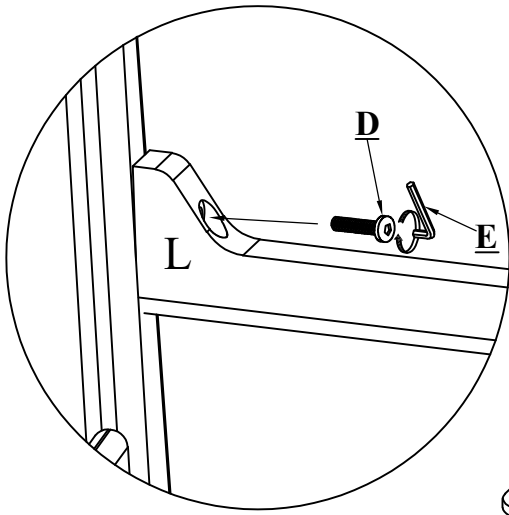


<p style="text-align: center;">A</p>  <p>SPRING WASHER M8*12 3 PCS</p>	<p style="text-align: center;">B</p>  <p>FLAT WASHER M8*16 3 PCS</p>	<p style="text-align: center;">D</p>  <p>BOLT M8*45 3 PCS</p>	<p style="text-align: center;">E</p>  <p>ALLEN WRENCH 1 PC</p>
---	--	---	--



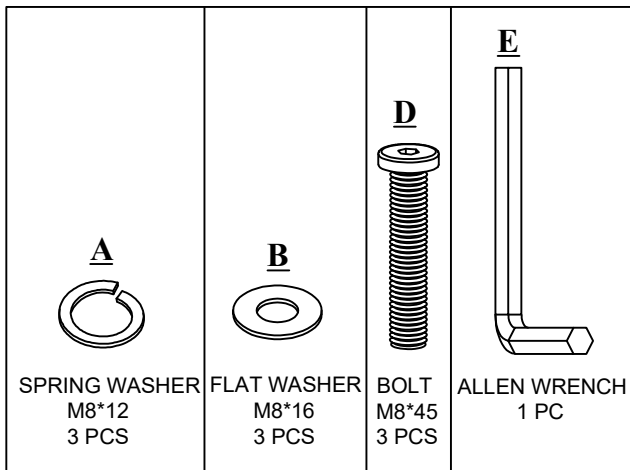
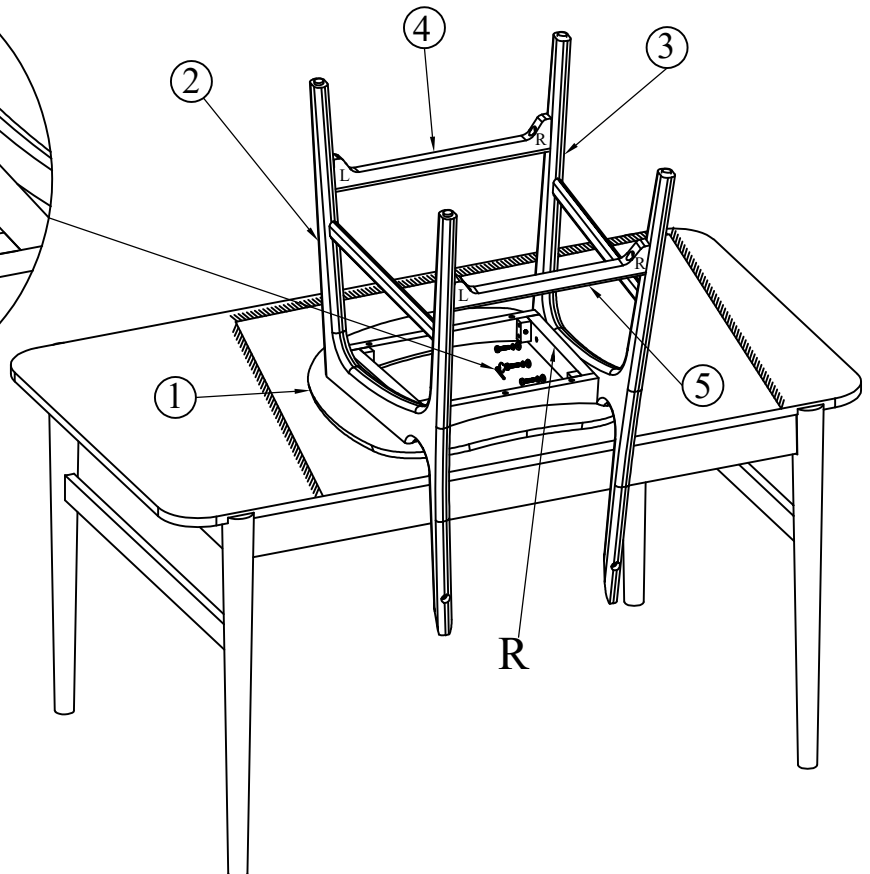
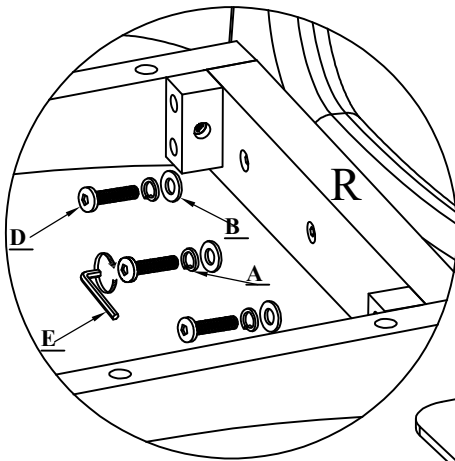
**LEAVE BOLTS LOOSE.
DO NOT TIGHTEN COMPLETELY AT THIS TIME.**

03



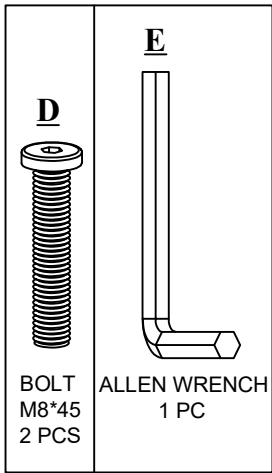
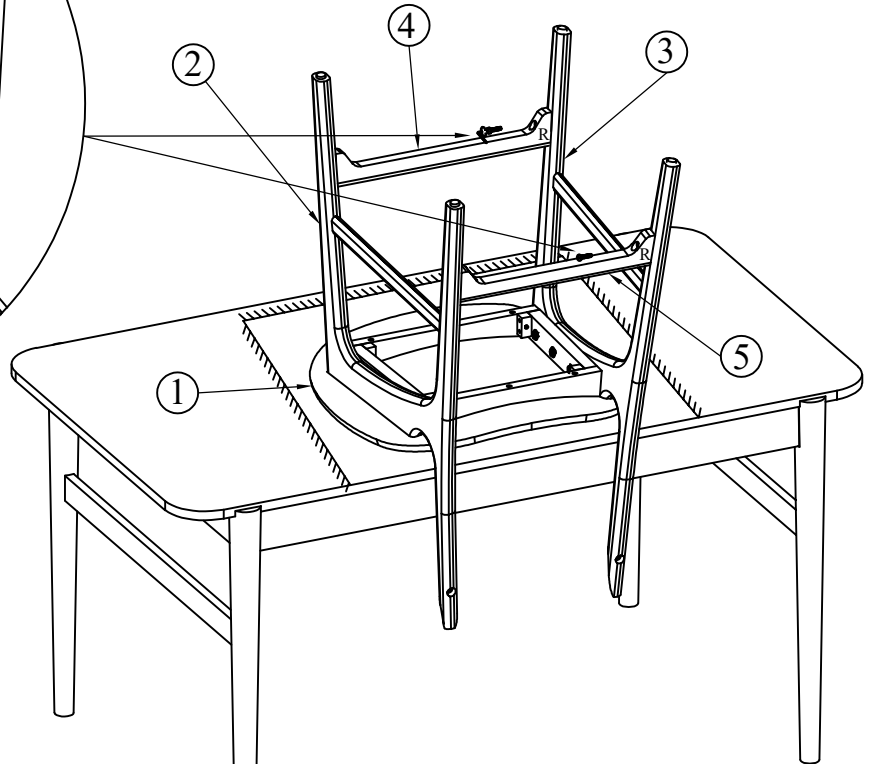
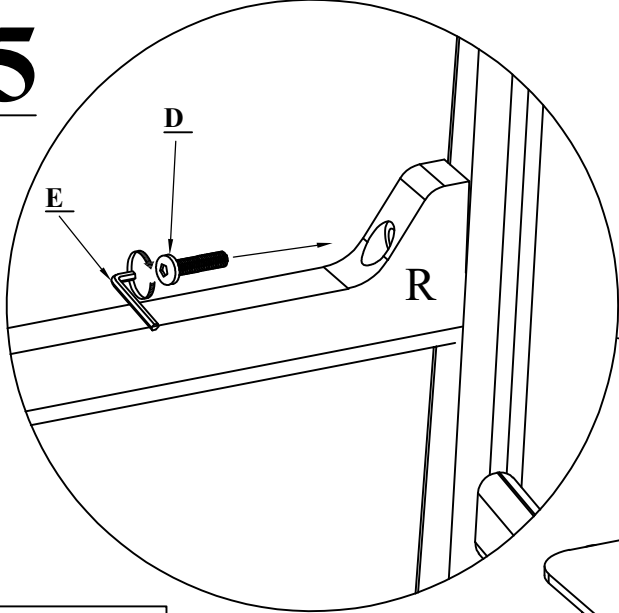
**LEAVE BOLTS LOOSE.
DO NOT TIGHTEN COMPLETELY AT THIS TIME.**

04



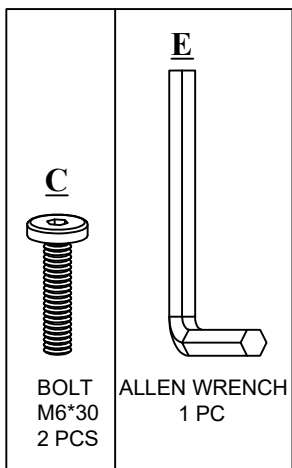
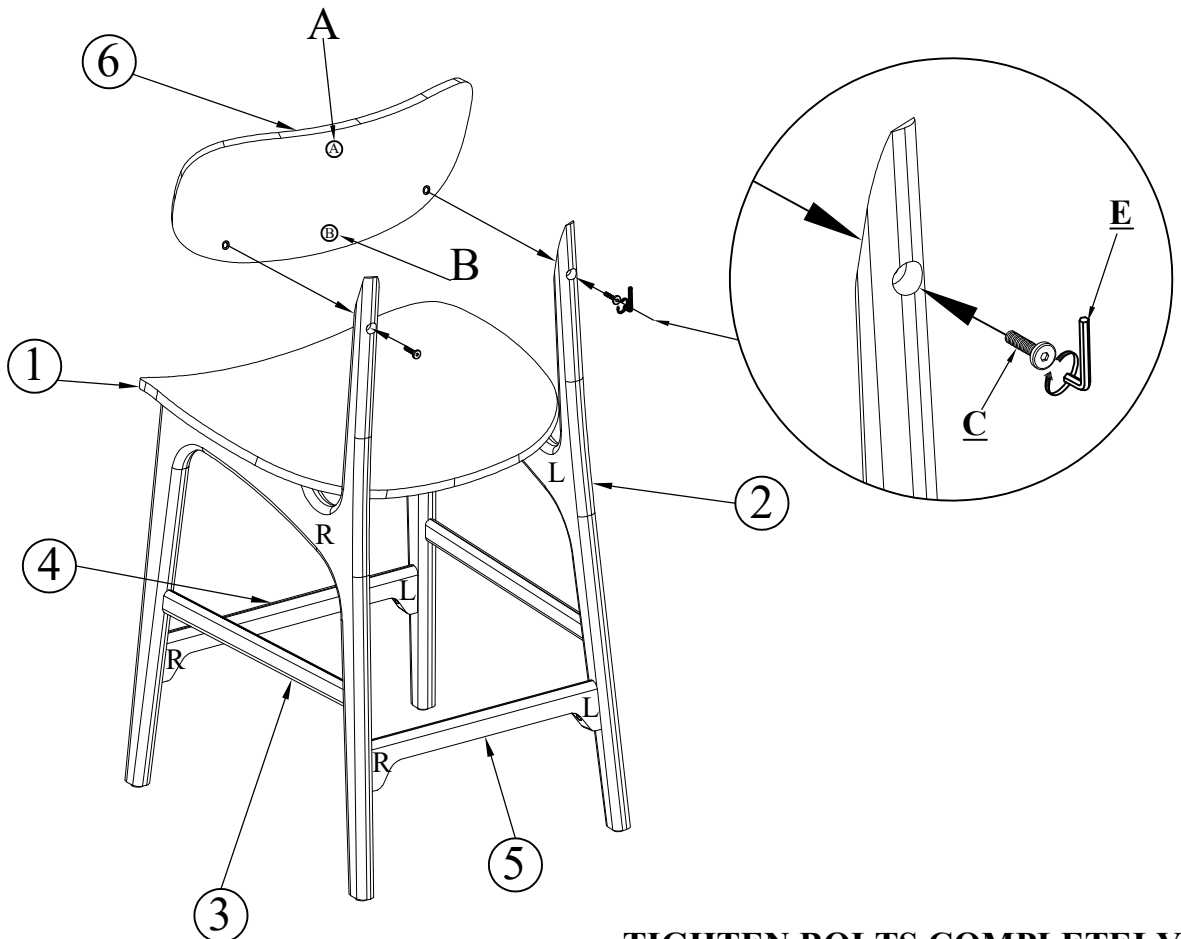
**LEAVE BOLTS LOOSE.
DO NOT TIGHTEN COMPLETELY AT THIS TIME.**

05



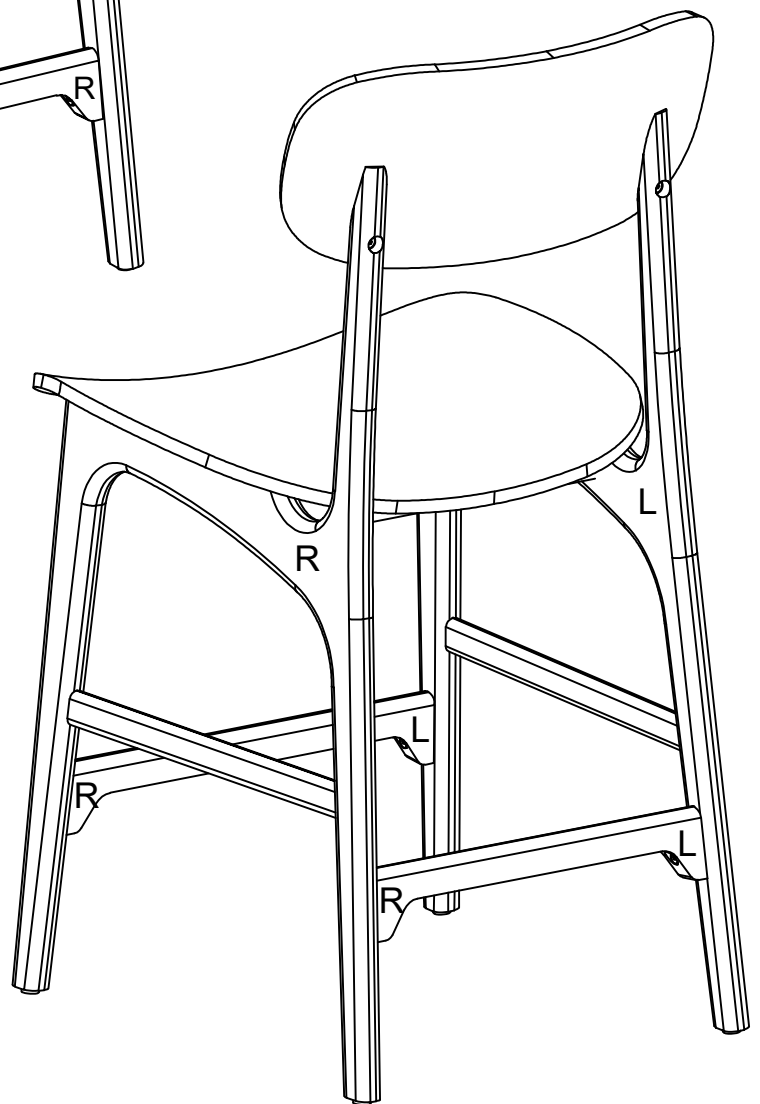
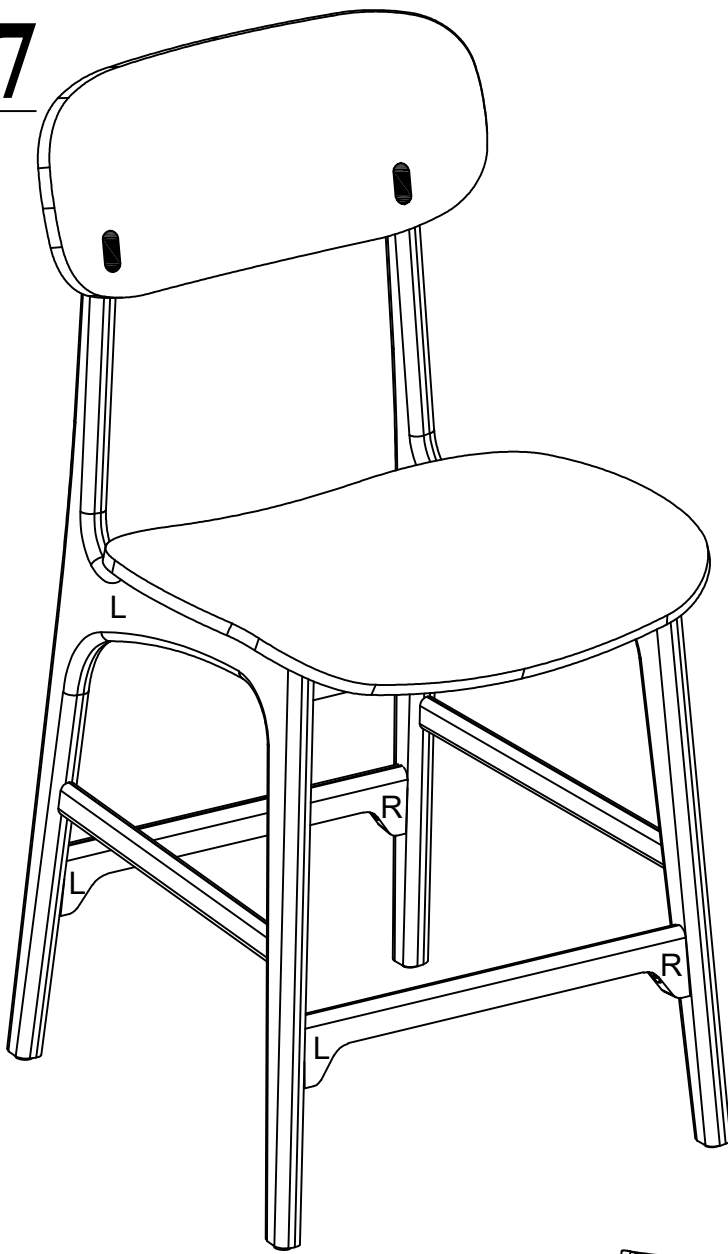
 **LEAVE BOLTS LOOSE.
DO NOT TIGHTEN COMPLETELY AT THIS TIME.**

06



TIGHTEN BOLTS COMPLETELY.

07



**TIGHTEN ALL BOLTS COMPETETLY FROM PREVIOUS STEPS.
ENSURE THAT ALL PARTS ARE TIGHT AND SECURE BEFORE USE.**