



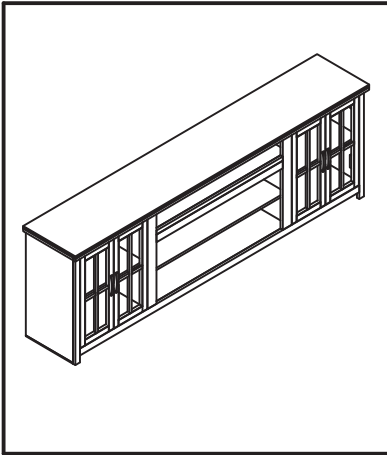
ASSEMBLY INSTRUCTIONS #3662-98

HARDWARE LIST

NO	SKETCH	HARDWARE	QTY
1		Screw Ø8 x 1 1/4"	8 pcs
2		Screw Ø8 x 2"	2 pcs
3		Screw Ø8 x 3/4"	2 pcs
4		Metal Anchor	4 pcs
5		Restrain Strap	2 pcs
6		Fisher	2 pcs

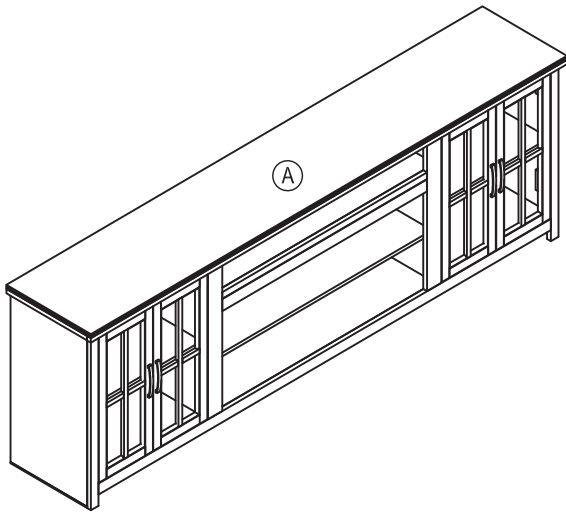
PART LIST

NO	DESCRIPTION	SKETCH	QTY
A	Body		1 pc
B	Support Fireplace		2 pc
8	Philip Headscrew Driver (not included)		
9	Fireplace (not included)		

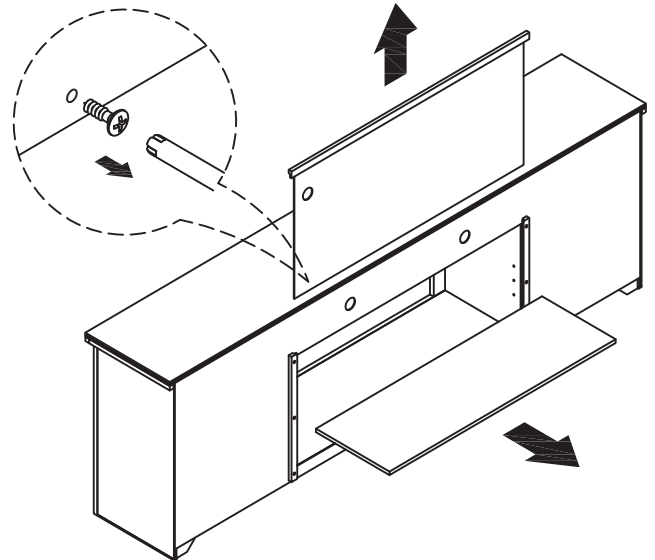


ASSEMBLY STEP

STEP 1

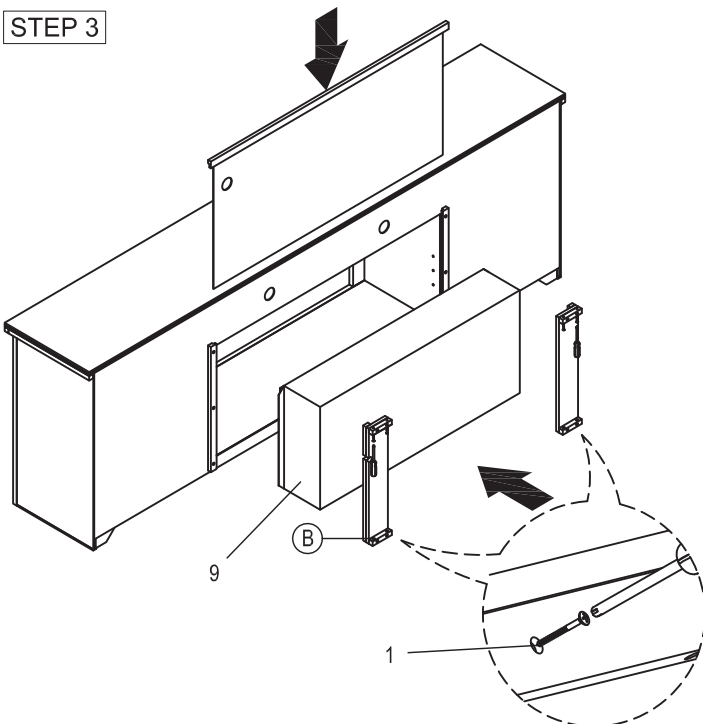


STEP 2



(Remove the screws from the back panel)

STEP 3



STEP 4

