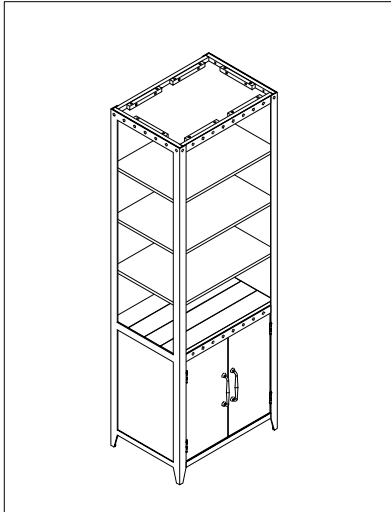




ASSEMBLY INSTRUCTION #3654 - P1/P2



HARDWARE LIST

NO	DESCRIPTION	QTY
1	Screw 6 Ø x 15	16 Pcs
2	JCBC M6 x 15 mm	8 Pcs
3	Ring pir	8 Pcs
4	Ring plat	8 Pcs
5	Allen Key	1 Pc
6	Handle + Screw	2 Pcs

PART LIST

NO	DESCRIPTION	QTY
A	Shelf	3 Pcs
B	Top	1 Pc
C	Bottom Cabinet	1 Pc
D	Side Left Frame Metal	1 Pc
E	Side Right Frame Metal	1 Pc

HARDWARE LIST

NO	SKETCH	HARDWARE	QTY
F		Screw Ø8 x 2"	1 Pc
G		Screw Ø8 x 3/4"	1 Pc
H		Metal Anchor	2 Pc
I		Restrain Strap	1 Pc
J		Fischer	1 Pc

Philip Headscrew Driver
(not included)

ASSEMBLY STEP

