



ASSEMBLY INSTRUCTIONS #3648

HARDWARE LIST

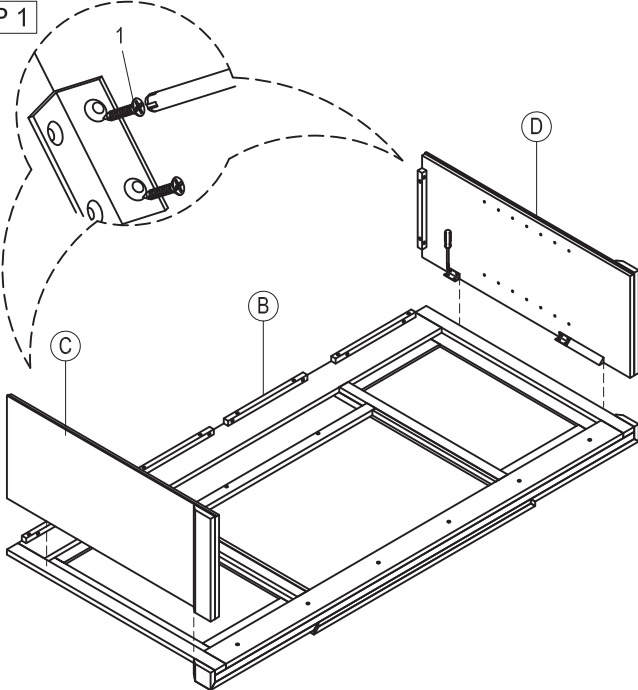
NO	SKETCH	HARDWARE	QTY
1		Screw Ø6 x 5/8"	68 pcs
2		Screw Ø8 x 1 1/4"	42 pcs
3		Pin Shelf	20 pcs
4		Fireplace (not included)	
5		Phillip Headscrew Driver (not included)	

PART LIST

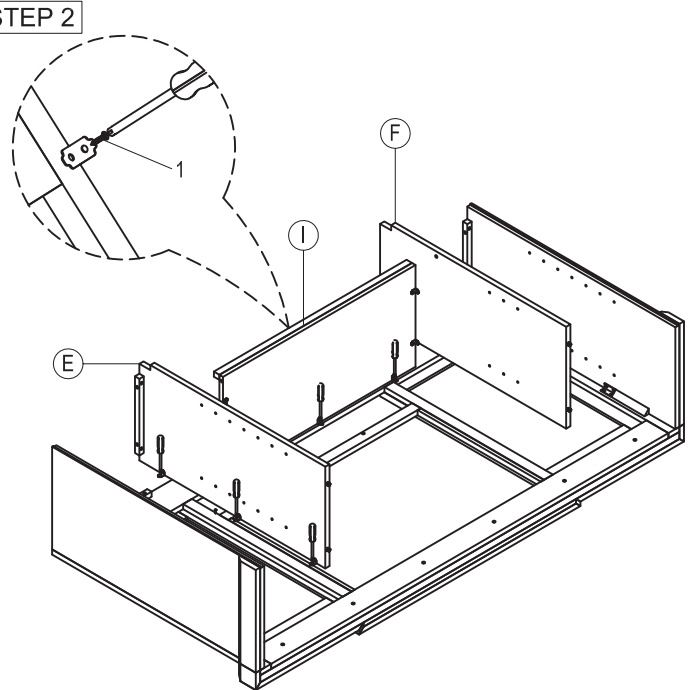
NO	DESCRIPTION	SKETCH	QTY	NO	DESCRIPTION	SKETCH	QTY
A	Top		1 Pc	G	Bottom Panel		1 Pc
B	Front Frame		1 Pc	H	Back Panel		1 Pc
C	Side Panel-A		1 Pc	I	Fixed Shelf		1 Pc
D	Side Panel-B		1 Pc	J	Adj. Shelf-A		1 Pc
E	Part-A		1 Pc	K	Adj. Shelf-B		4 Pcs
F	Part-B		1 Pc	L	Support Fireplace		2 Pcs

ASSEMBLY STEP

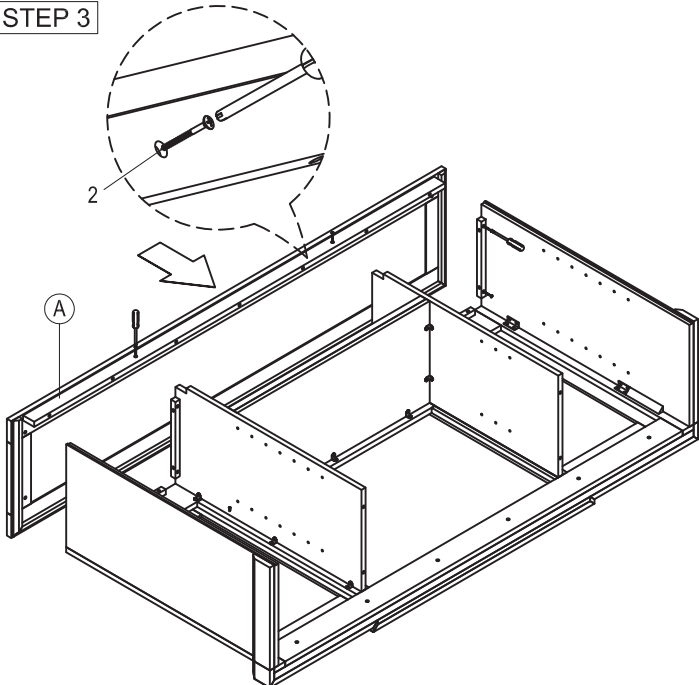
STEP 1



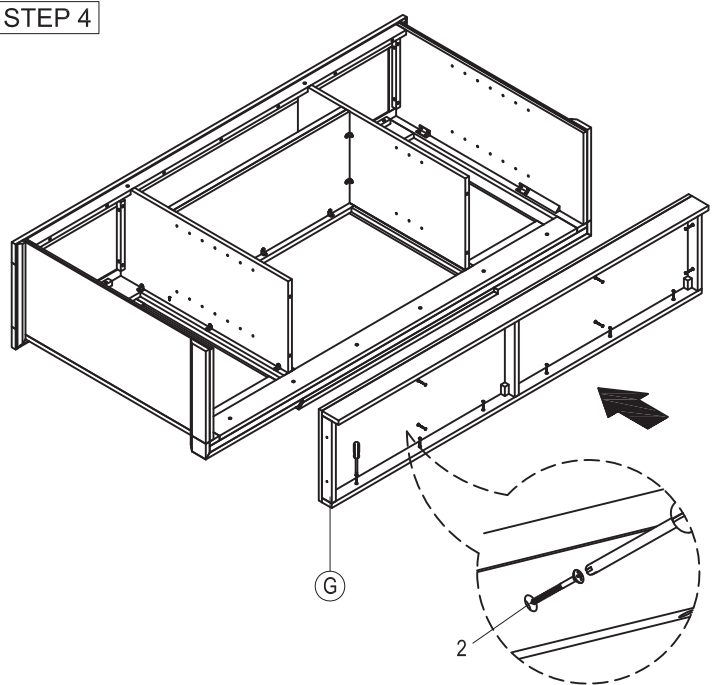
STEP 2



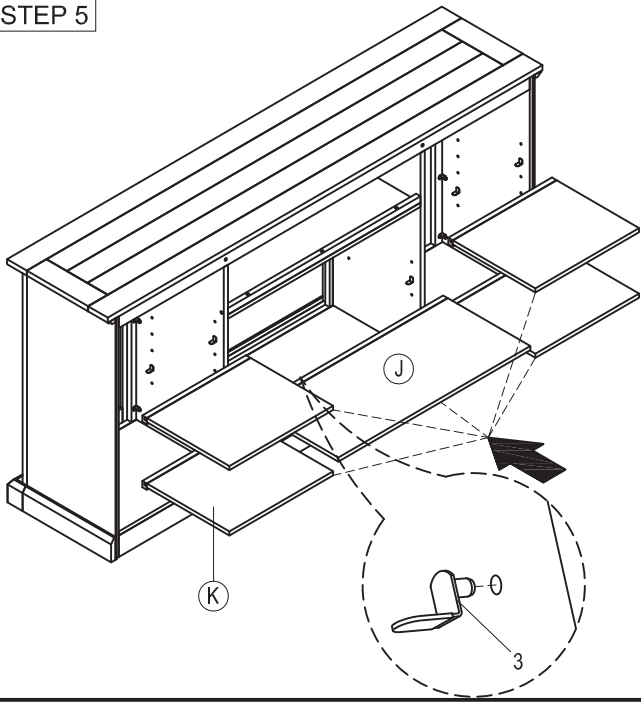
STEP 3



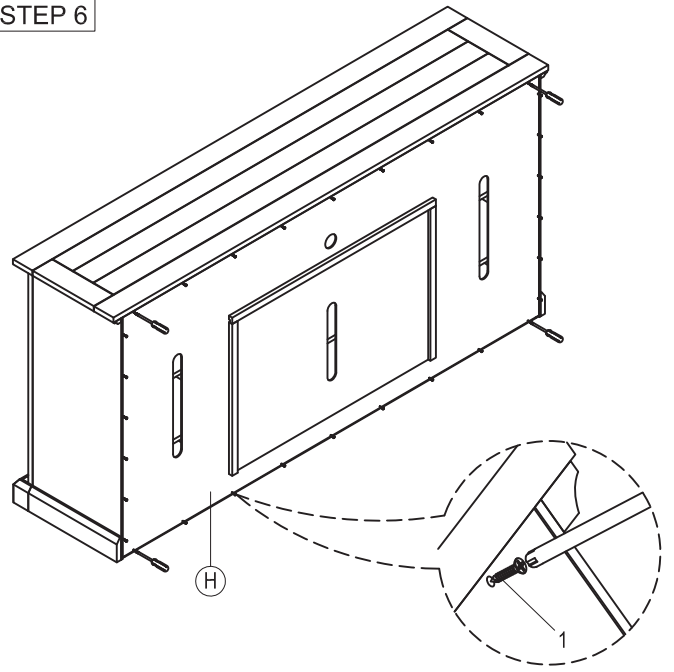
STEP 4



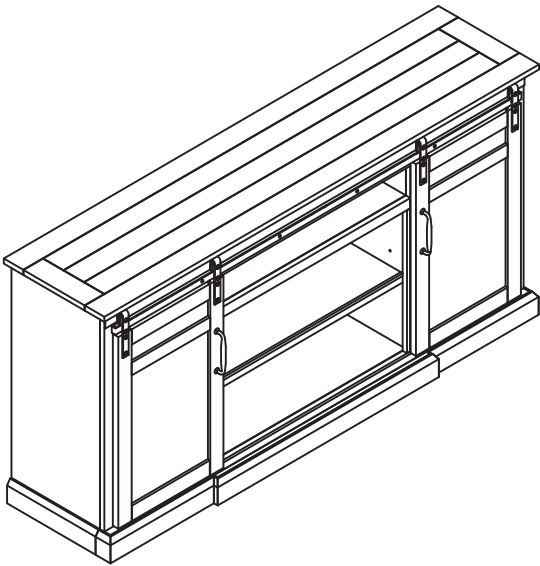
STEP 5



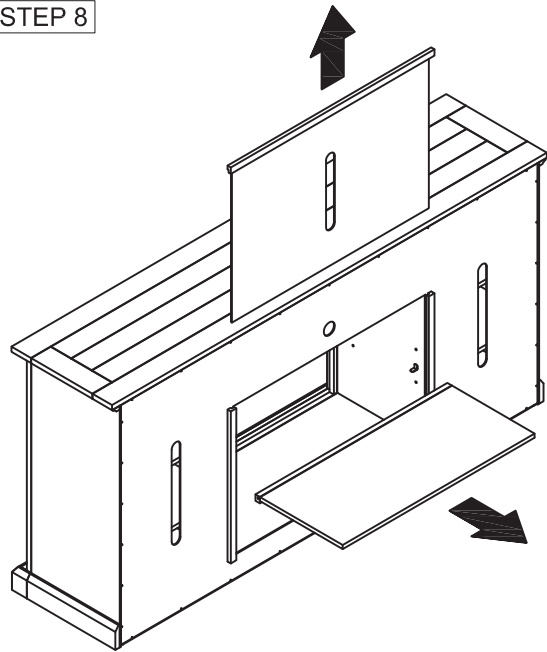
STEP 6



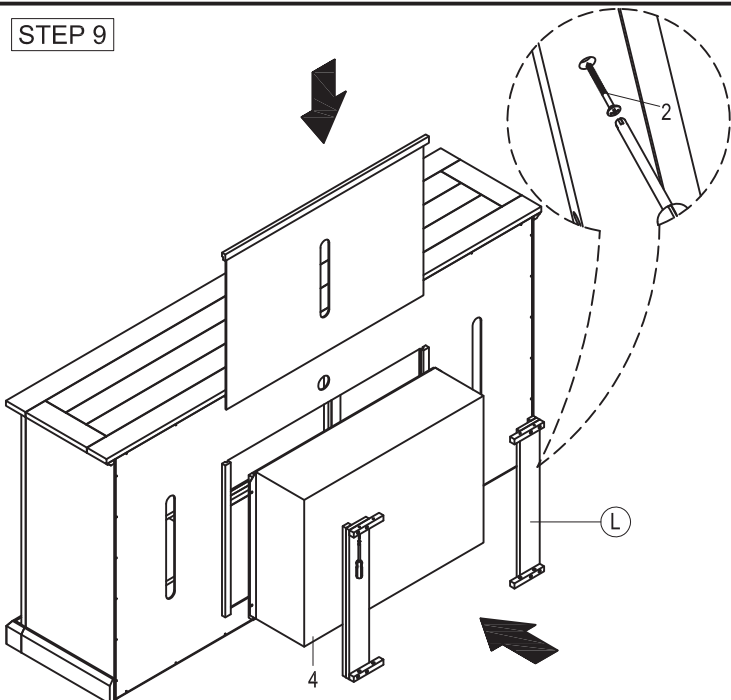
STEP 7



STEP 8



STEP 9



STEP 10

