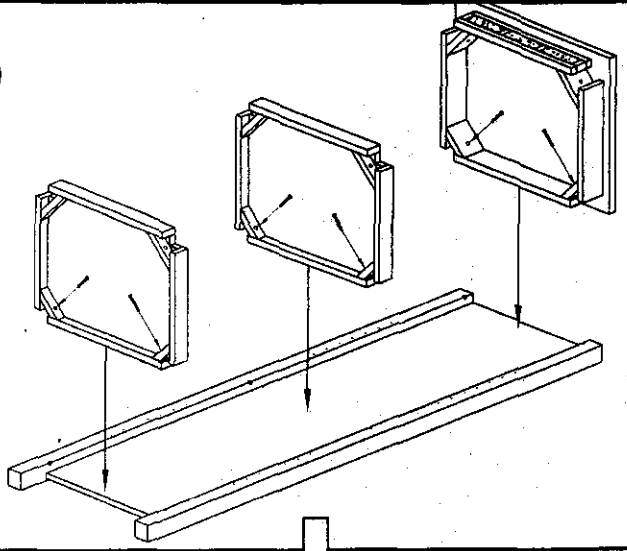


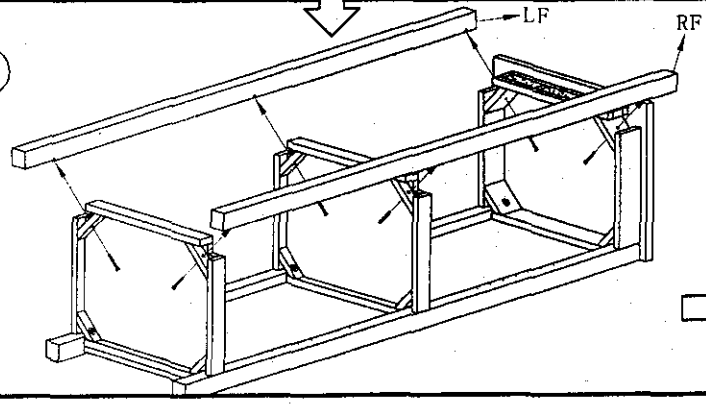


#3403DC-P Assembly Instruction

1



2



3

STAND UP

