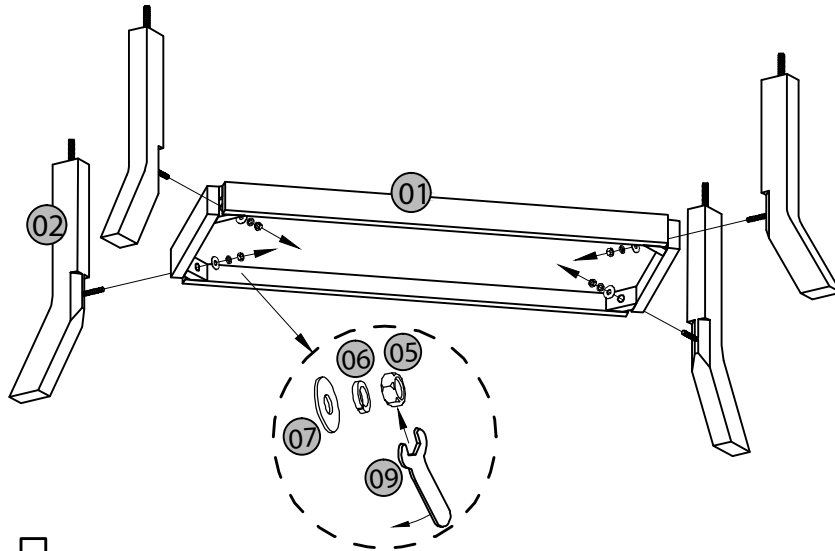


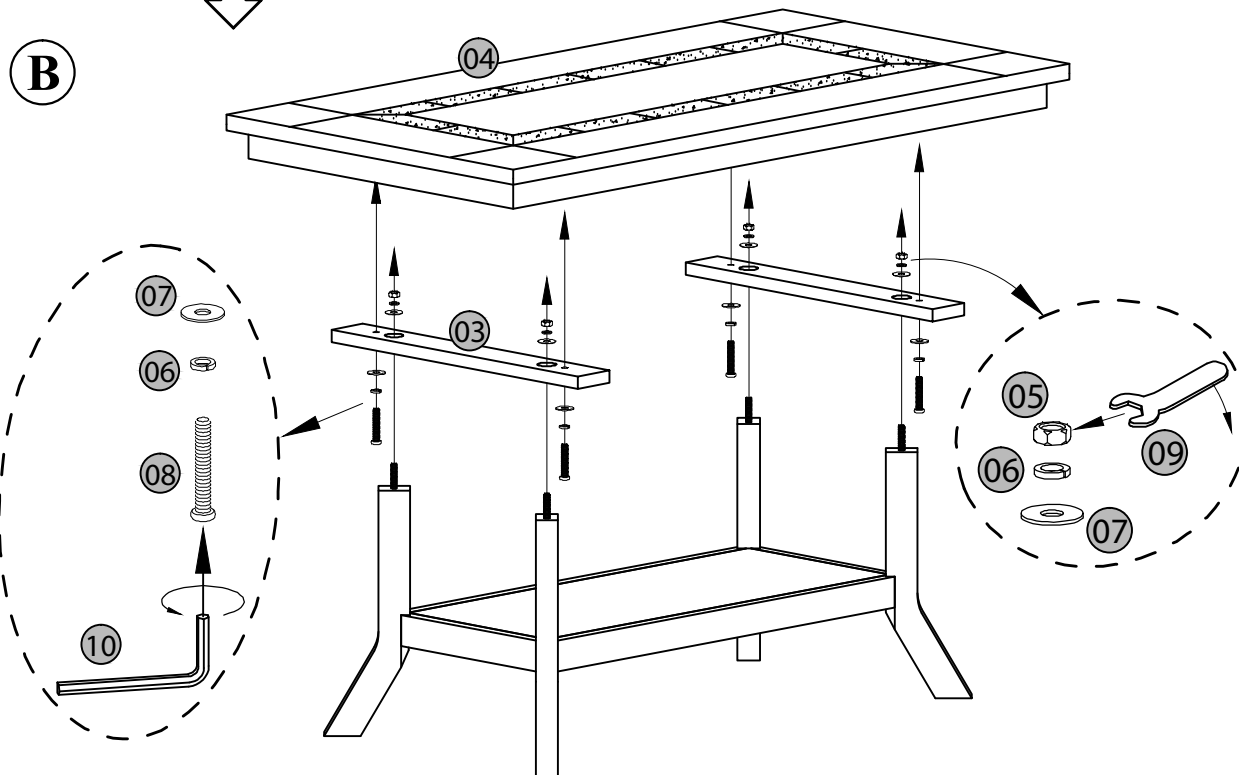


#3175DC\DH-S Assembly Instruction




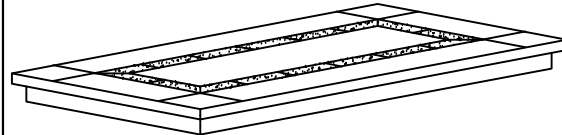
A




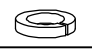


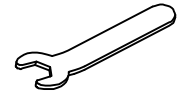

B



Part List

No.	Description	QTY
01		1pc
02		4pc
03		2pc
04		1pc
Total		8pc

Hardware List

No.	Description	QTY
05		8pc
06		12pc
07		12pc
08		4pc
09		1pc
10		1pc
Total		38pc