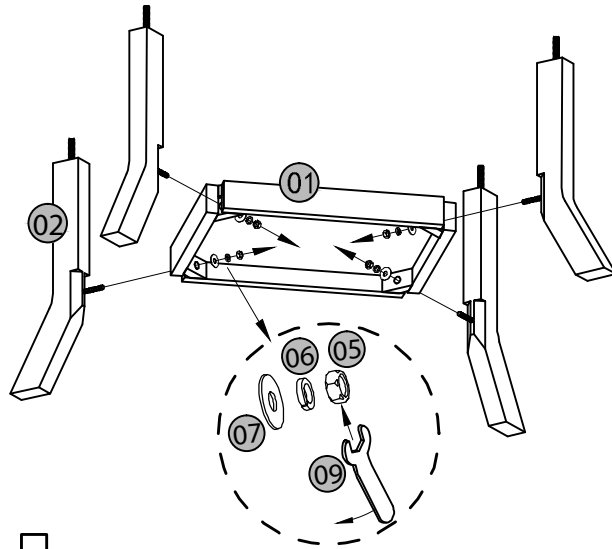
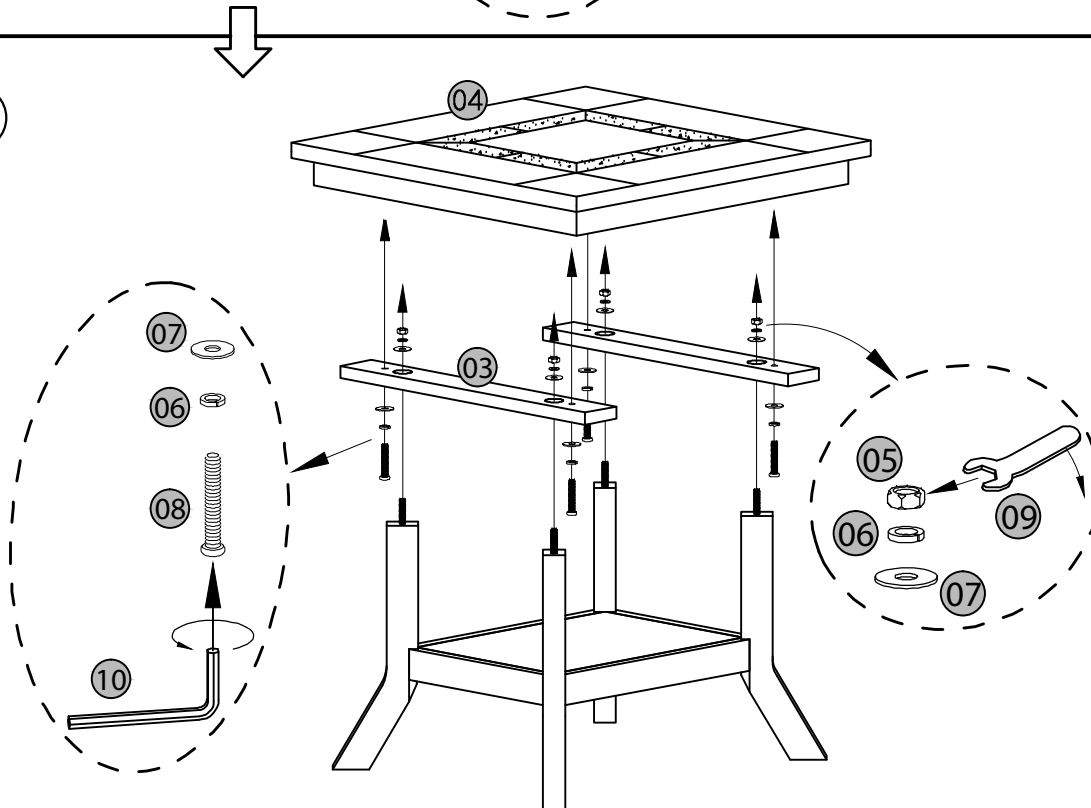


# #3175DC\DH-E Assembly Instruction




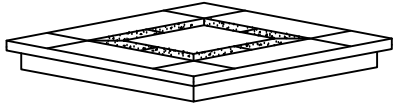
**A**









**B**



## Part List

No.	Description	QTY
01		1pc
02		4pc
03		2pc
04		1pc
<b>Total</b>		<b>8pc</b>

## Hardware List

No.	Description	QTY
05		8pc
06		12pc
07		12pc
08		4pc
09		1pc
10		1pc
<b>Total</b>		<b>38pc</b>