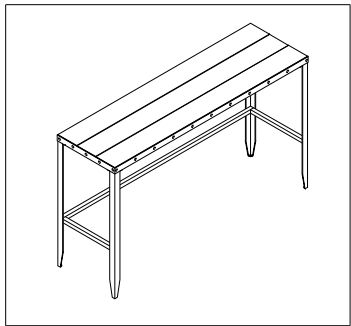




ASSEMBLY INSTRUCTION #3173-ST



HARDWARE LIST

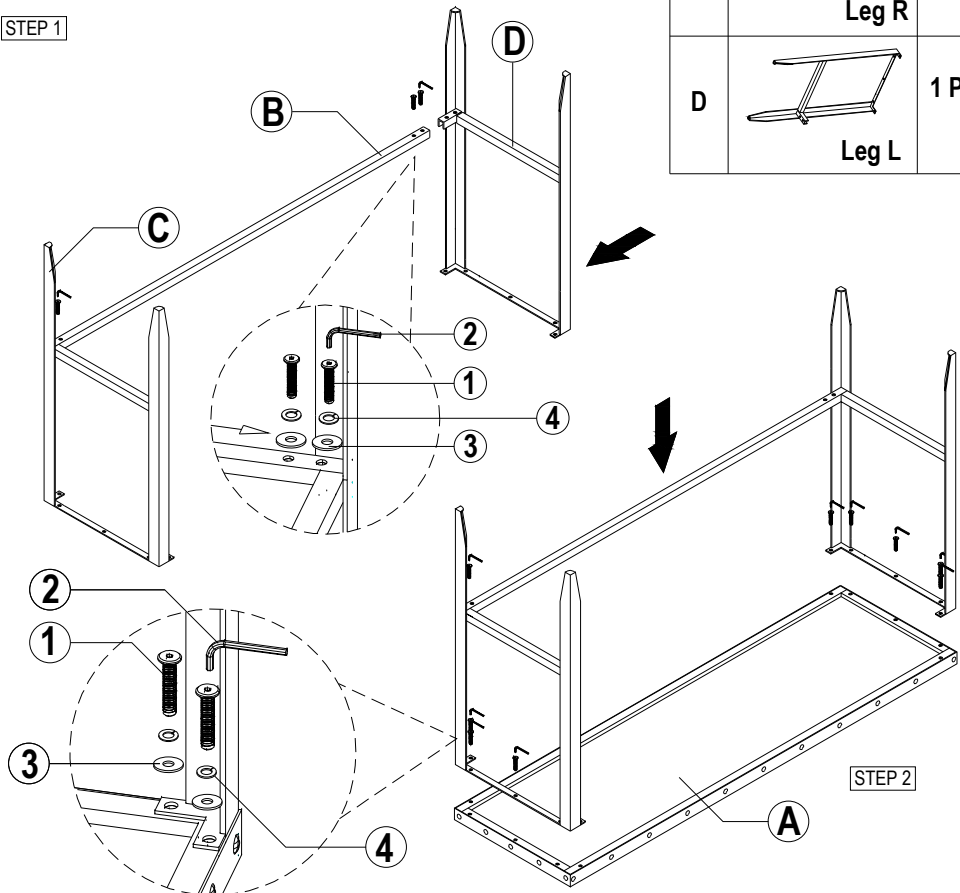
NO	SKETCH	QTY
1	JCBC 14 Pcs	
2	Allen Key 1 Pc	
3	Flat Washer 14 Pcs	
4	Spring Washer 14 Pcs	

PART LIST

NO	DESCRIPTION SKETCH	QTY
A	Top 1 Pc	
B	Strecher 1 Pc	
C	Leg R 1 Pc	
D	Leg L 1 Pc	

ASSEMBLY STEP

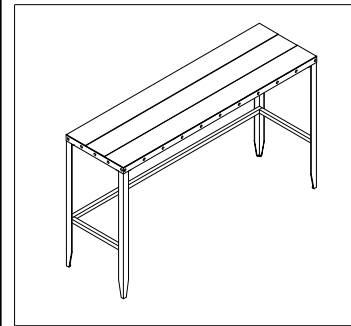
STEP 1



STEP 2



ASSEMBLY INSTRUCTION #3173-ST



HARDWARE LIST

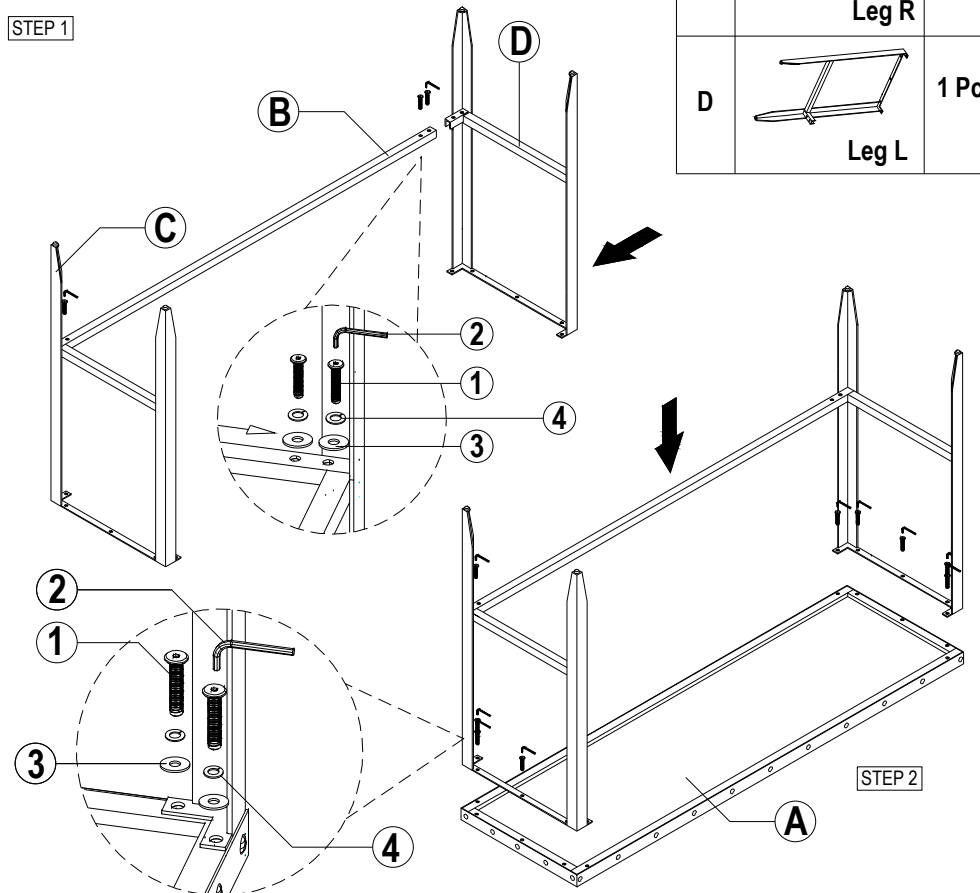
NO	SKETCH	QTY
1	JCBC 14 Pcs	
2	Allen Key 1 Pc	
3	Flat Washer 14 Pcs	
4	Spring Washer 14 Pcs	

PART LIST

NO	DESCRIPTION SKETCH	QTY
A	Top 1 Pc	
B	Strecher 1 Pc	
C	Leg R 1 Pc	
D	Leg L 1 Pc	

ASSEMBLY STEP

STEP 1



STEP 2