

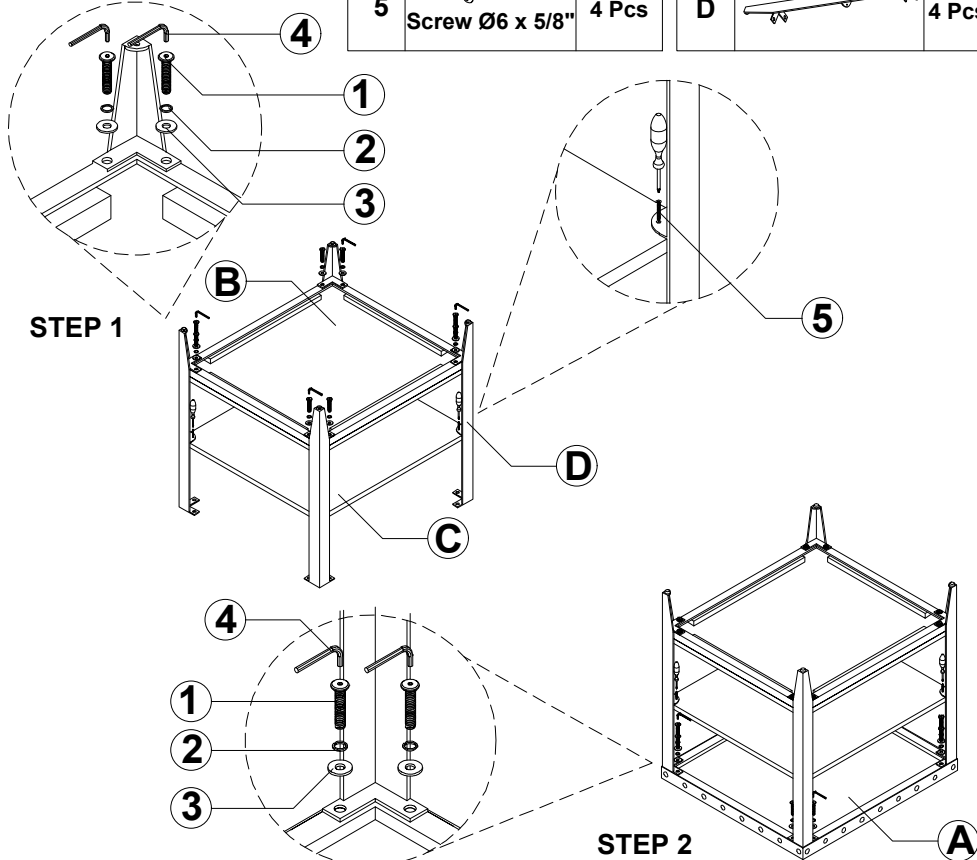


ASSEMBLY INSTRUCTION #3173-E

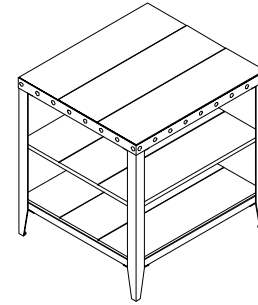


Philip Headscrew Driver (not included)

NO	SKETCH	QTY	NO	DESCRIPTION SKETCH	QTY
1	JCBC M6	16 Pcs	A	Top	1 Pc
2	Spring Washer	16 Pcs	B	Bottom	1 Pc
3	Plat Washer	16 Pcs	C	Shelf	1 Pc
4	Allen Key	1 Pc	D	Leg	4 Pcs
5	Screw Ø6 x 5/8"	4 Pcs			



ASSEMBLY INSTRUCTION #3173-E



Philip Headscrew Driver (not included)

NO	SKETCH	QTY	NO	DESCRIPTION SKETCH	QTY
1	JCBC M6	16 Pcs	A	Top	1 Pc
2	Spring Washer	16 Pcs	B	Bottom	1 Pc
3	Plat Washer	16 Pcs	C	Shelf	1 Pc
4	Allen Key	1 Pc	D	Leg	4 Pcs
5	Screw Ø6 x 5/8"	4 Pcs			

