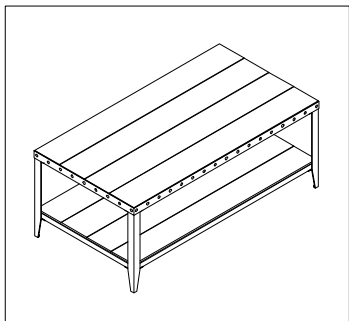


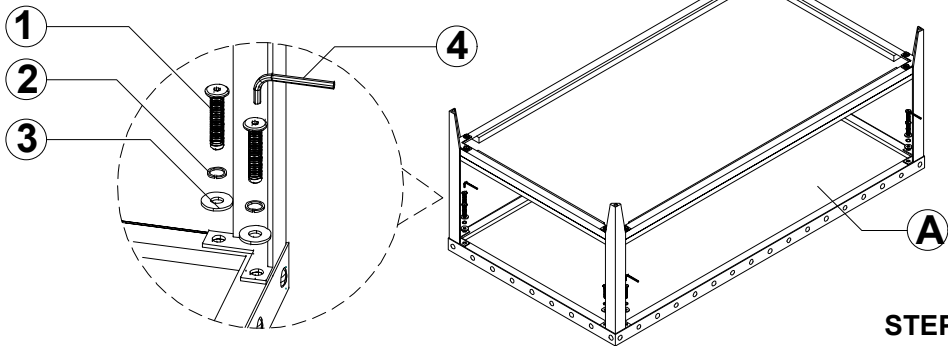
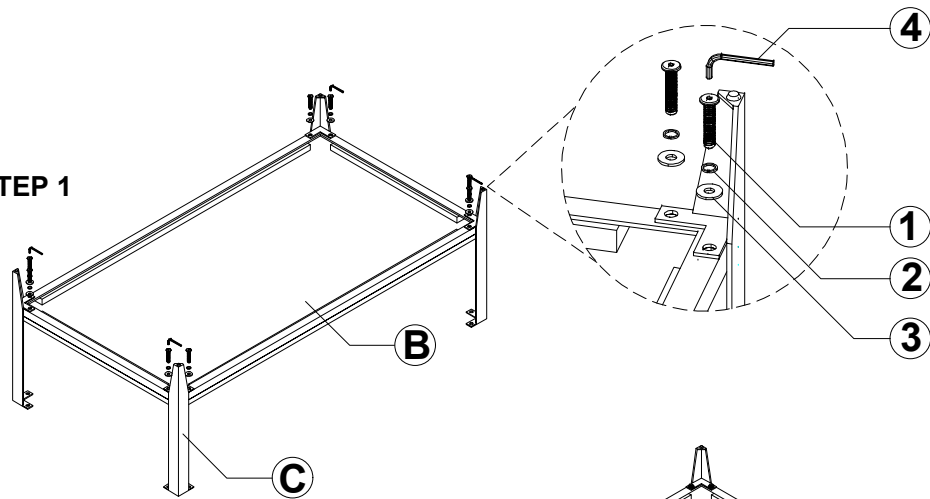


ASSEMBLY INSTRUCTION #3173-C



NO	SKETCH	QTY	NO	DESCRIPTION SKETCH	QTY
1	JCBC M6	16 Pcs	A	Top	1 Pc
2	Spring Washer	16 Pcs	B	Bottom	1 Pc
3	Plat Washer	16 Pcs	C	Leg	4 Pcs
4	Allen Key	1 Pc			

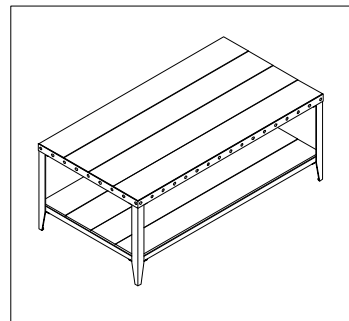
STEP 1



STEP 2

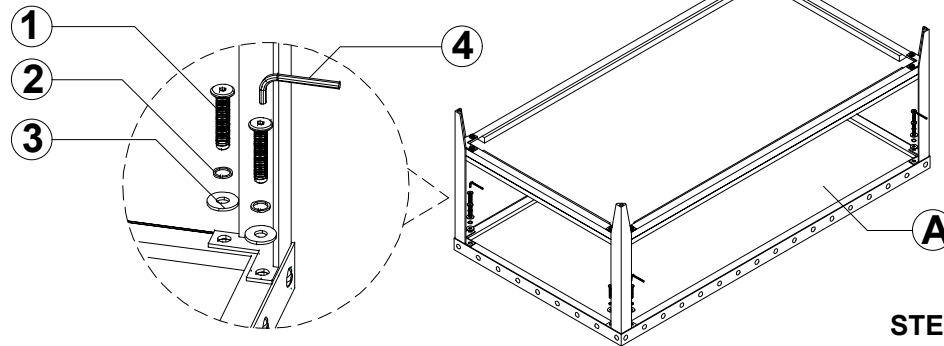
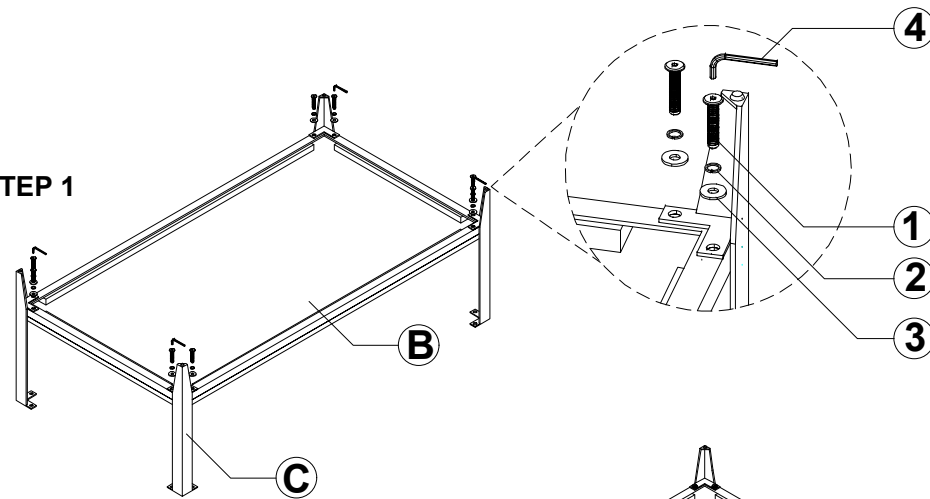


ASSEMBLY INSTRUCTION #3173-C



NO	SKETCH	QTY	NO	DESCRIPTION SKETCH	QTY
1	JCBC M6	16 Pcs	A	Top	1 Pc
2	Spring Washer	16 Pcs	B	Bottom	1 Pc
3	Plat Washer	16 Pcs	C	Leg	4 Pcs
4	Allen Key	1 Pc			

STEP 1



STEP 2