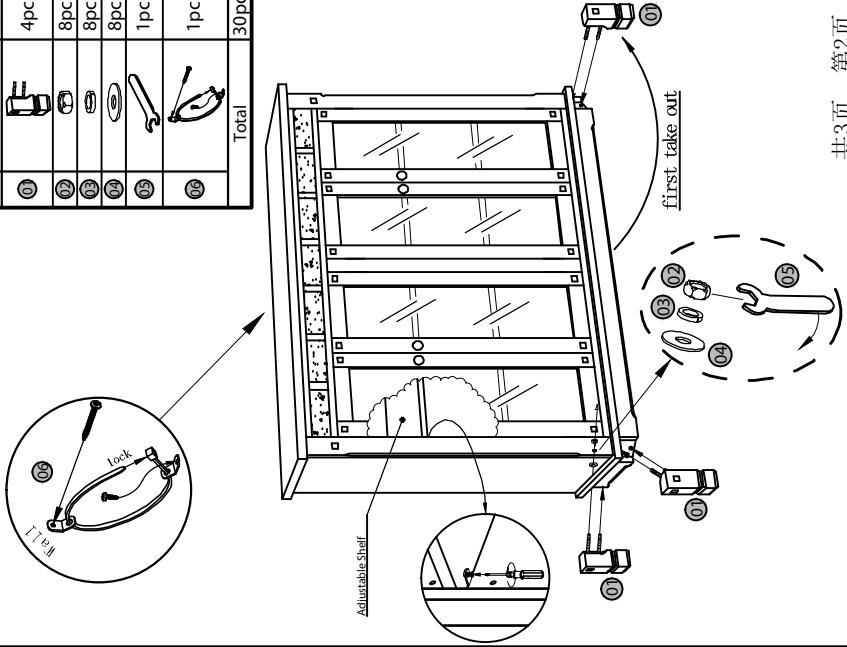


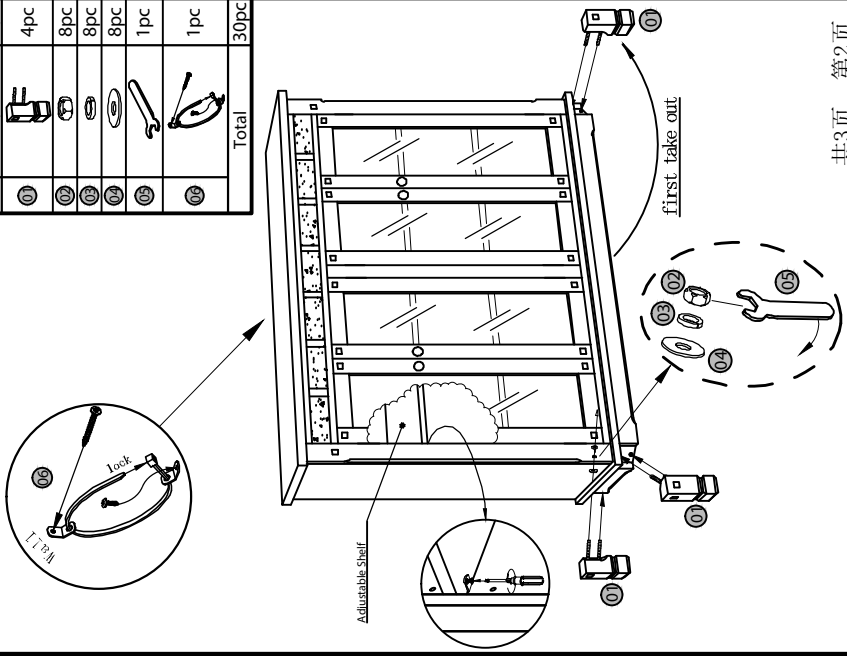
#2813RO Assembly Instruction

| Part & Hardware List |             | QTY  |
|----------------------|-------------|------|
| No.                  | Description |      |
| 01                   |             | 4pc  |
| 02                   |             | 8pc  |
| 03                   |             | 8pc  |
| 04                   |             | 8pc  |
| 05                   |             | 1pc  |
| 06                   |             | 1pc  |
| Total                |             | 30pc |



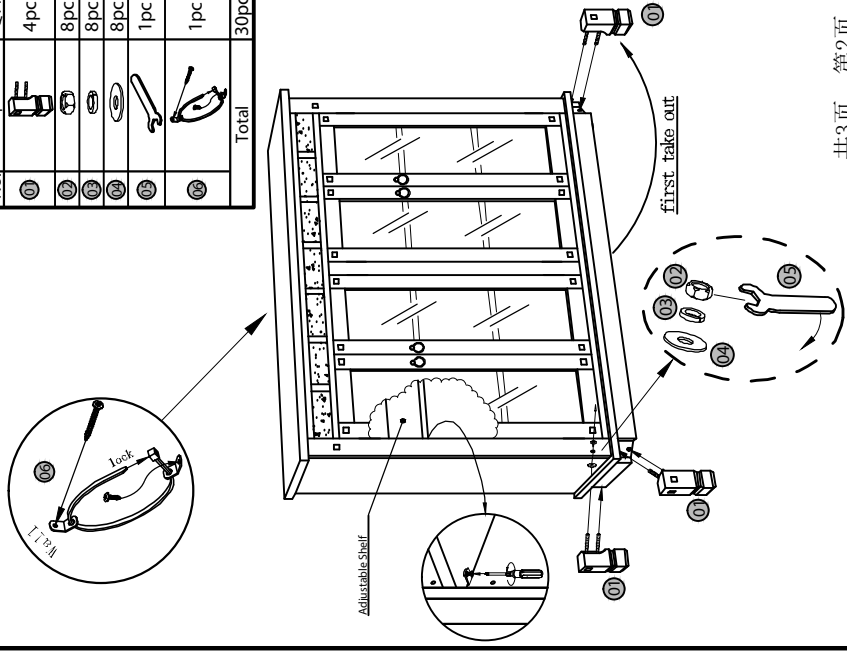
#2813RO Assembly Instruction

| Part & Hardware List |             | QTY  |
|----------------------|-------------|------|
| No.                  | Description |      |
| 01                   |             | 4pc  |
| 02                   |             | 8pc  |
| 03                   |             | 8pc  |
| 04                   |             | 8pc  |
| 05                   |             | 1pc  |
| 06                   |             | 1pc  |
| Total                |             | 30pc |



#2813DC Assembly Instruction

| Part & Hardware List |             | QTY  |
|----------------------|-------------|------|
| No.                  | Description |      |
| 01                   |             | 4pc  |
| 02                   |             | 8pc  |
| 03                   |             | 8pc  |
| 04                   |             | 8pc  |
| 05                   |             | 1pc  |
| 06                   |             | 1pc  |
| Total                |             | 30pc |



#2813DC Assembly Instruction

| Part & Hardware List |             | QTY  |
|----------------------|-------------|------|
| No.                  | Description |      |
| 01                   |             | 4pc  |
| 02                   |             | 8pc  |
| 03                   |             | 8pc  |
| 04                   |             | 8pc  |
| 05                   |             | 1pc  |
| 06                   |             | 1pc  |
| Total                |             | 30pc |

