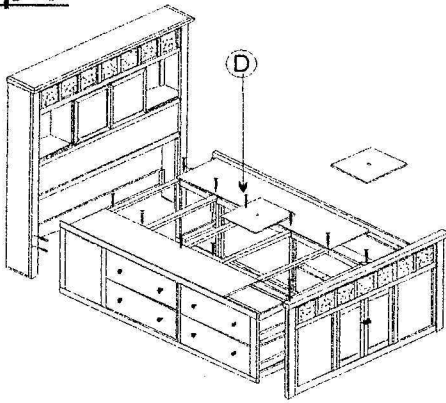
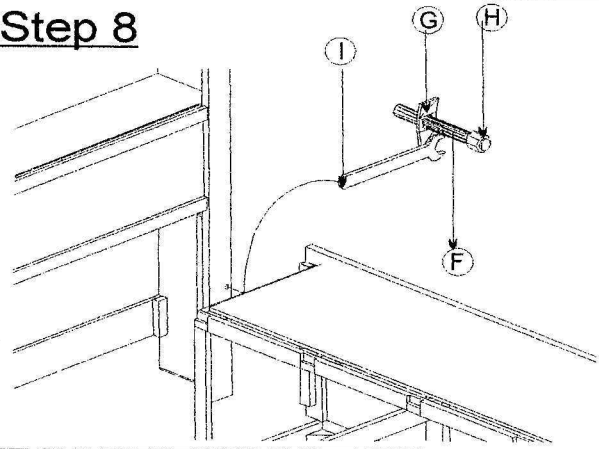


# Assembly Instructions

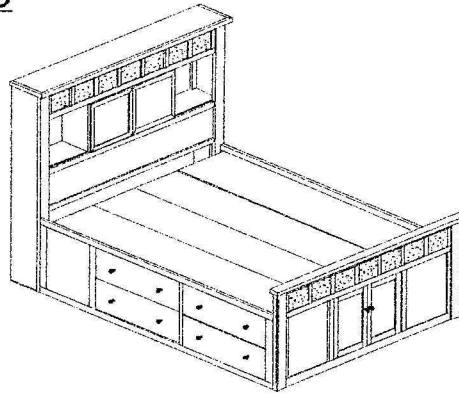
## Step 7



## Step 8



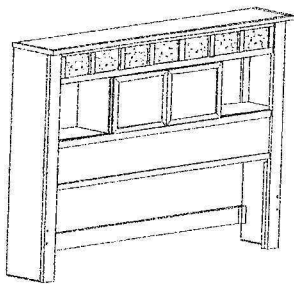
## Step 9



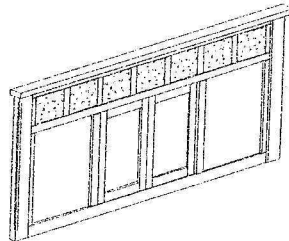
Carefully remove and lay out all parts. Familiarize yourself with all. Exhibits and diagrams to facilitate the assembly of your bed

### 4 BOXES OF BED COMPONENT PART SHOULD BE PREPARED

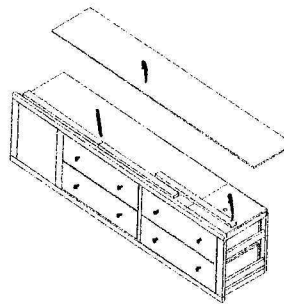
Headboard



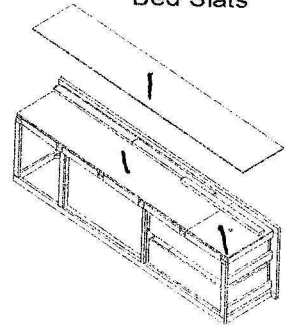
Footboard



Side Rails Right + matras + Bed Slats



Side Rails Left + matras + Bed Slats



## HARDWARE

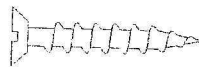
A. JCBC M6 x 35mm ( 6 Pcs )



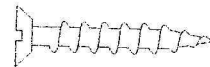
B. JCBC M6 x 25mm ( 4 Pcs )



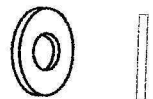
C. Screw  $\varnothing 8$  x 1" ( 9 Pcs )



D. Screw  $\varnothing 8$  x 1 1/2" ( 12 Pcs )



E. Washer plat M6 ( 10 Pcs )



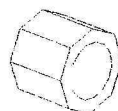
F. Bolt M7 x 70mm ( 8 Pcs )



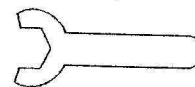
G. H. Halfmoon Washer M8 ( 8 Pcs )



H. Hexagonal Bolt M8 ( 8 Pcs )



I. Wrench Key ( 1 Pcs )



J. Allen Key ( 1 Pcs )

