



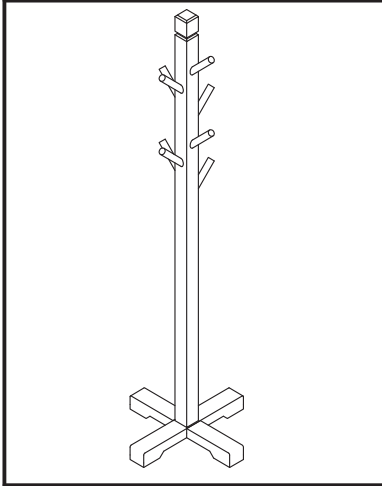
ASSEMBLY INSTRUCTIONS #2113

HARDWARE LIST

NO	SKETCH	HARDWARE	QTY
1		Flat Washer	2 pcs
2		Spring Washer	2 pcs
3		Hex. Bolt M8 x 60mm	2 pcs
4		Allen Key	1 pc

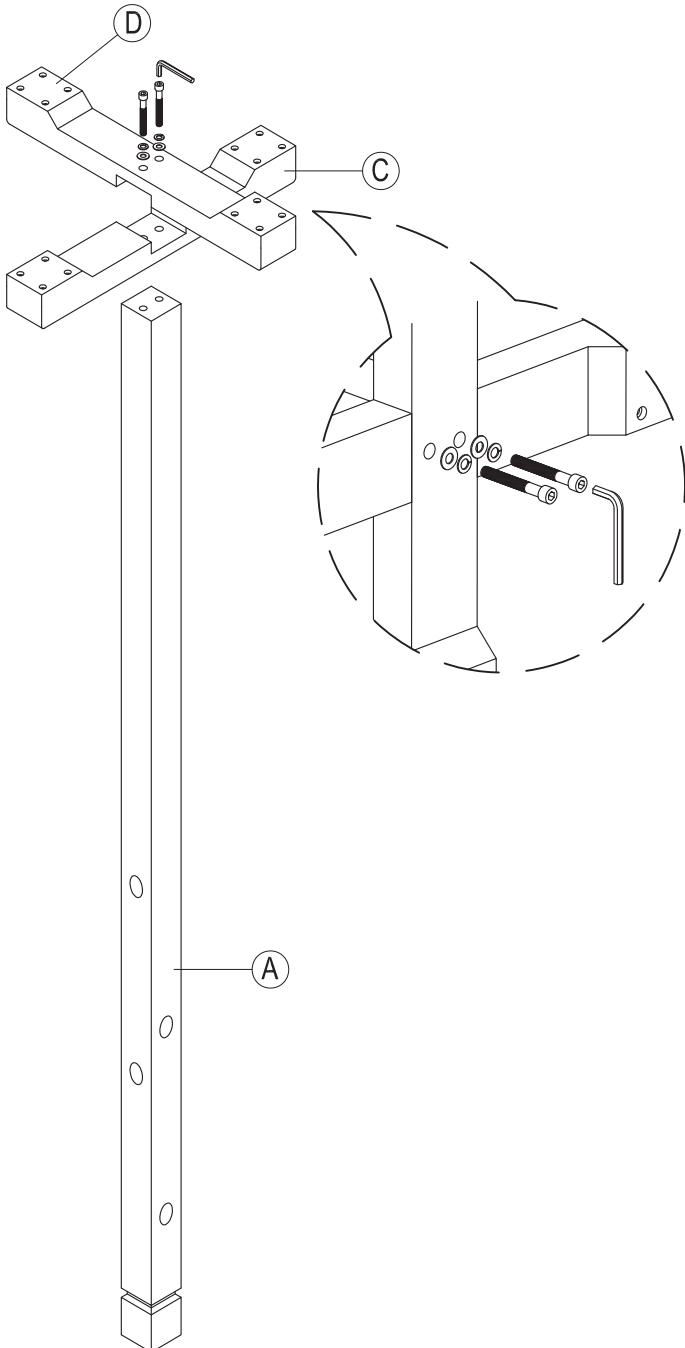
PART LIST

NO	DESCRIPTION	SKETCH	QTY
A	Pole		1 pc
B	Hanger		8 pcs
C	Leg A		1 pc
D	Leg B		1 pc



ASSEMBLY STEP

STEP 1



STEP 2

