



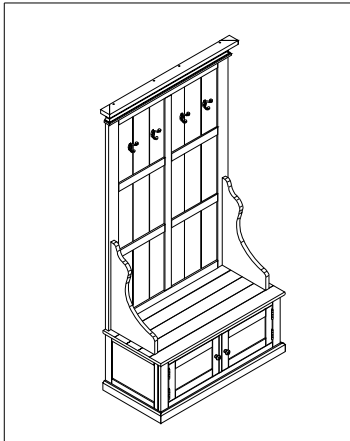
ASSEMBLY INSTRUCTION # 2099

HARDWARE LIST

| NO | SKETCH | HARDWARE | QTY |
|----|--------|---------------|-------|
| 1 | | JCBC | 8 Pcs |
| 2 | | Spring Washer | 8 Pcs |
| 3 | | Plat Washer | 8 Pcs |
| 4 | | Allen Key | 1 Pc |
| 5 | | Capstock | 4 Pcs |
| 6 | | Screw | 8 Pcs |

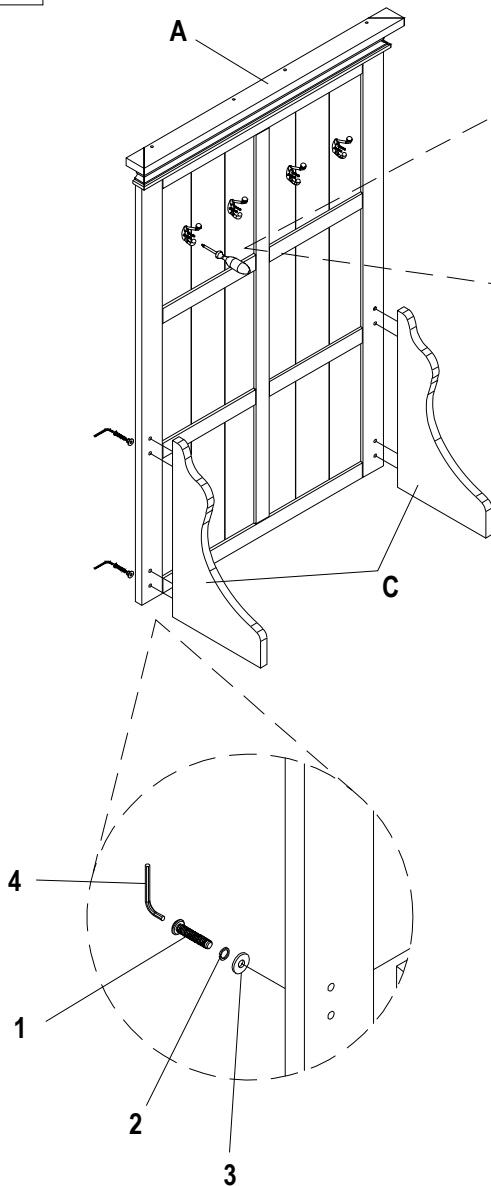
PART LIST

| NO | DESCRIPTION | SKETCH | QTY |
|----|-------------|--------|-------|
| A | Top Frame | | 1 Pc |
| B | Base | | 1 Pc |
| C | Partision | | 2 Pcs |



ASSEMBLY STEP

STEP 1



STEP 2

