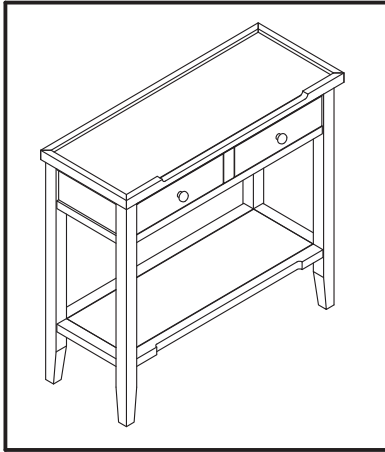




# ASSEMBLY INSTRUCTIONS #2091



## HARDWARE LIST

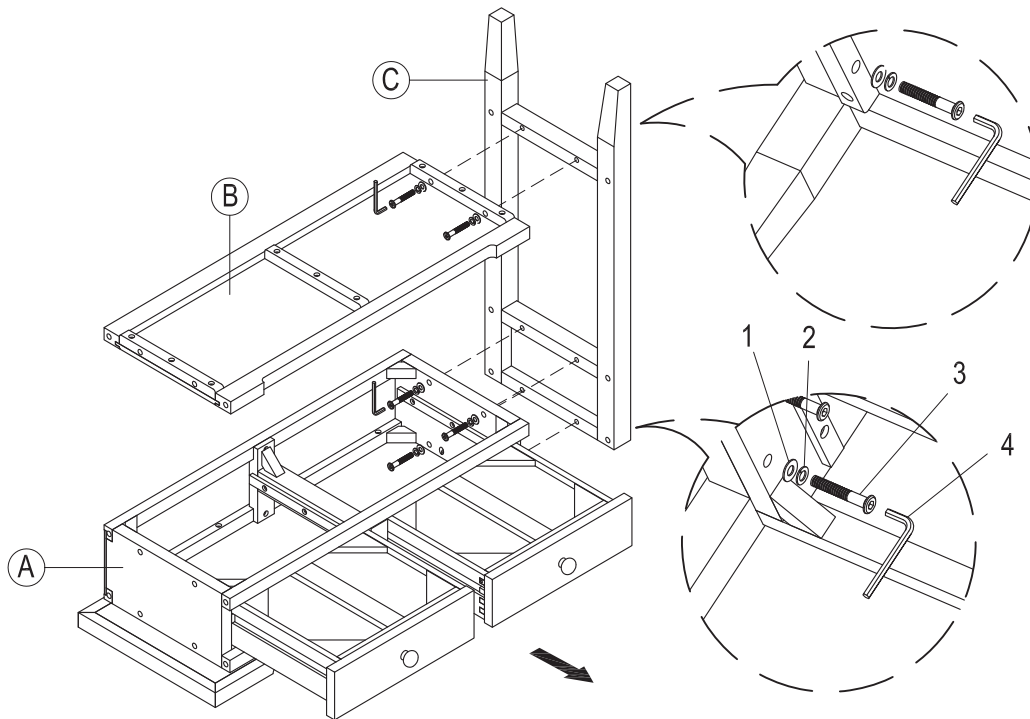
NO	SKETCH	HARDWARE	QTY
1		Plat Washer	12 pcs
2		Spring Washer	12 pcs
3		JCBC M6 x 35mm	12 pcs
4		Allen Key	1 pc

## PART LIST

NO	DESCRIPTION	SKETCH	QTY
A	Top		1 pc
B	Shelf		1 pcs
C	Leg		2 pcs

## ASSEMBLY STEP

### STEP 1



### STEP 2

