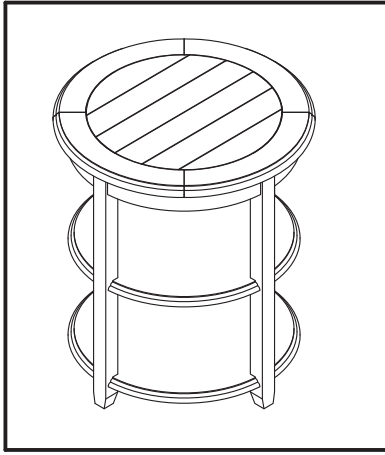




# ASSEMBLY INSTRUCTIONS #2085



## HARDWARE LIST

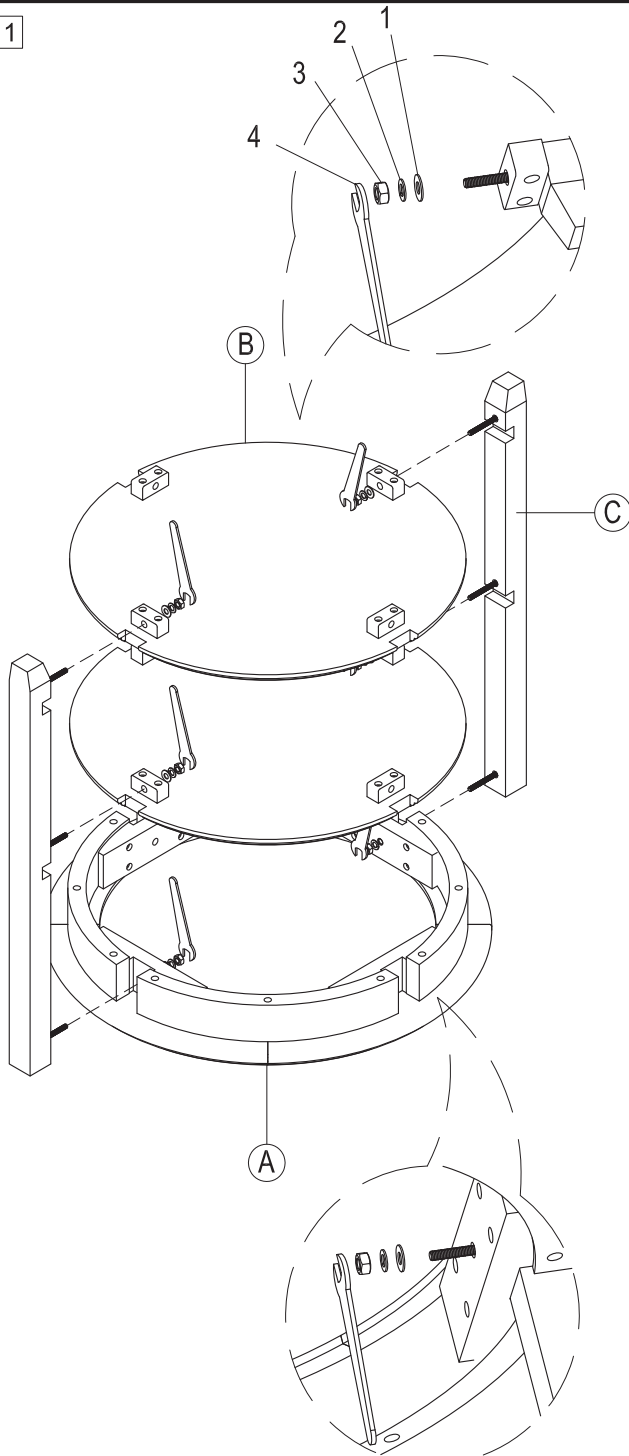
| NO | SKETCH | HARDWARE         | QTY    |
|----|--------|------------------|--------|
| 1  |        | Plat Washer      | 12 pcs |
| 2  |        | Spring Washer    | 12 pcs |
| 3  |        | Hexagonal Nut M8 | 12 pcs |
| 4  |        | Wrench Key       | 1 pc   |

## PART LIST

| NO | DESCRIPTION | SKETCH | QTY   |
|----|-------------|--------|-------|
| A  | Top         |        | 1 pc  |
| B  | Shelf       |        | 2 pcs |
| C  | Leg         |        | 4 pcs |

## ASSEMBLY STEP

### STEP 1



### STEP 2

