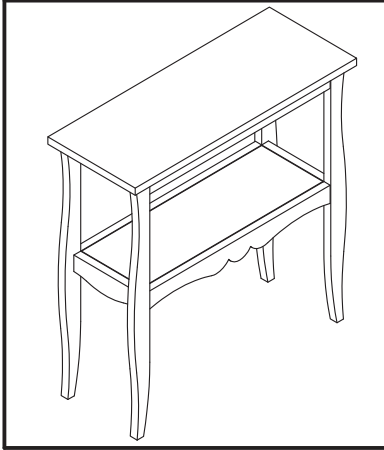




# ASSEMBLY INSTRUCTIONS #2083



## HARDWARE LIST

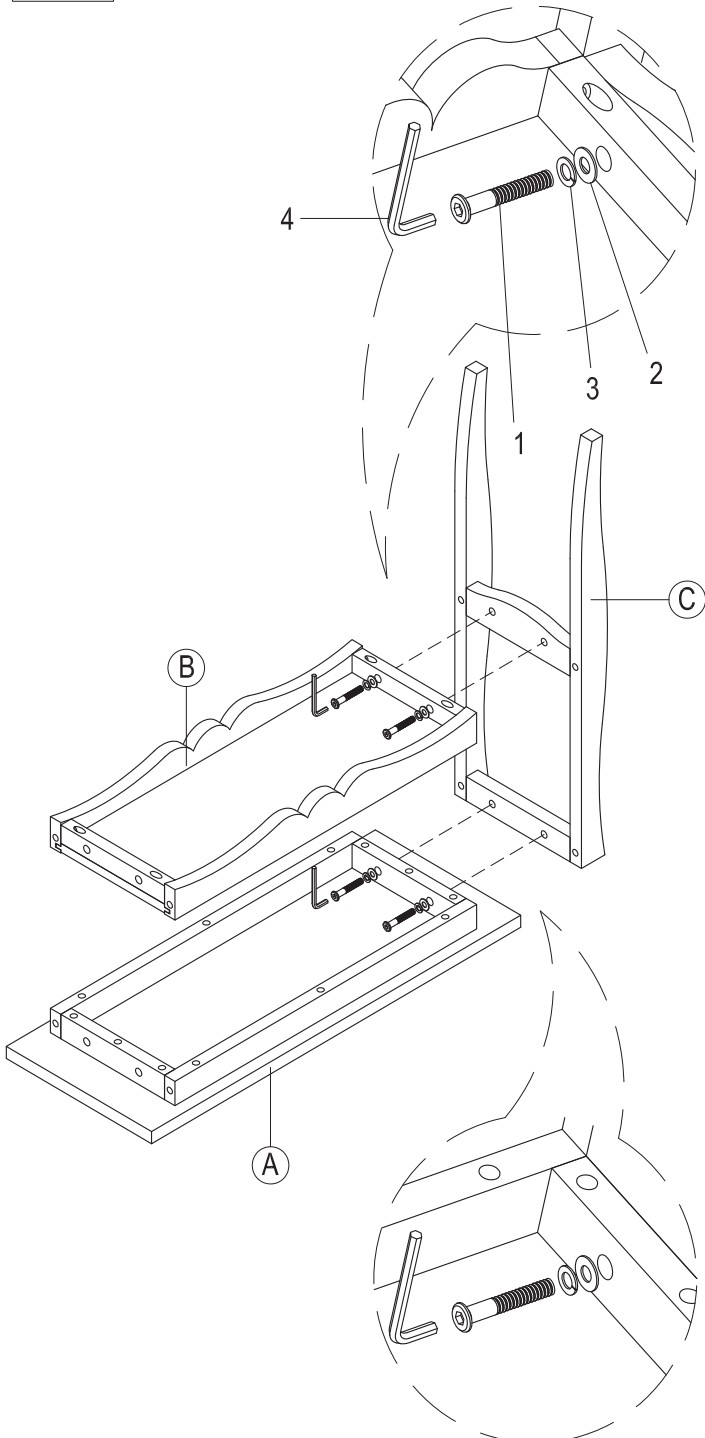
NO	SKETCH	HARDWARE	QTY
1		JCBC M8 x 40mm	8 pcs
2		Plat Washer	8 pcs
3		Spring Washer	8 pcs
4		Allen Key	1 pc

## PART LIST

NO	DESCRIPTION	SKETCH	QTY
A	Top		1 pc
B	Shelf		1 pc
C	Leg		2 pcs

## ASSEMBLY STEP

### STEP 1



### STEP 2

