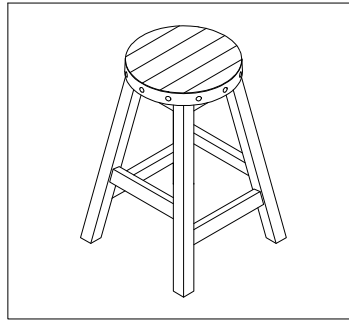

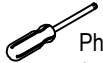




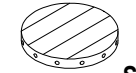
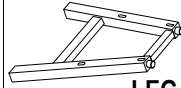
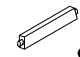
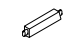
ASSEMBLY INSTRUCTION #1701



HARDWARE LIST

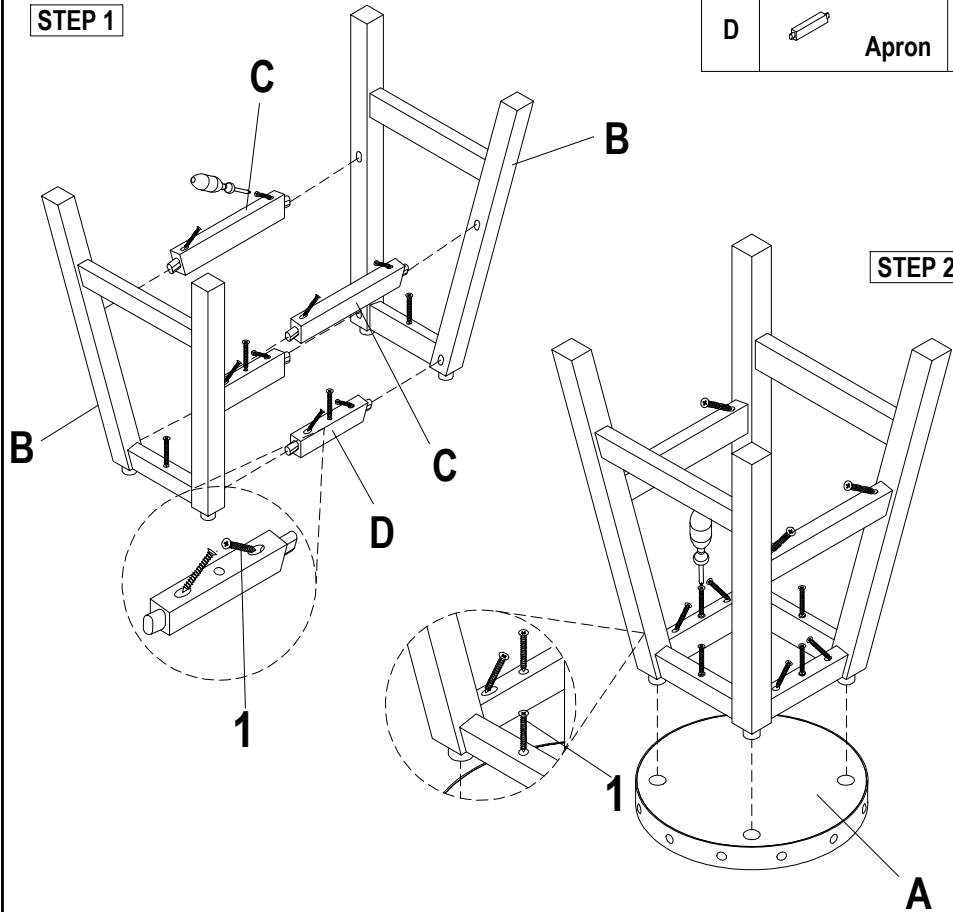
NO	SKETCH	QTY
1	 Screw $\varnothing 8 \times 2''$	12 Pcs
	 Philip Headscrew Driver (not included)	

PART LIST

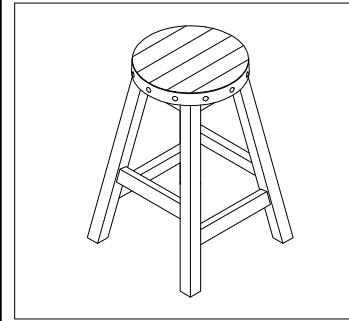
NO	DESCRIPTION SKETCH	QTY
A	 Seat	1 Pc
B	 LEG	2 Pcs
C	 Strecher	2 Pcs
D	 Apron	2 Pcs

ASSEMBLY STEP



STEP 1



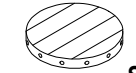
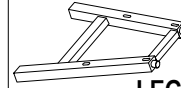
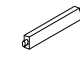
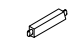
ASSEMBLY INSTRUCTION #1701



HARDWARE LIST

NO	SKETCH	QTY
1	 Screw $\varnothing 8 \times 2''$	12 Pcs
	 Philip Headscrew Driver (not included)	

PART LIST

NO	DESCRIPTION SKETCH	QTY
A	 Seat	1 Pc
B	 LEG	2 Pcs
C	 Strecher	2 Pcs
D	 Apron	2 Pcs

ASSEMBLY STEP

STEP 1

