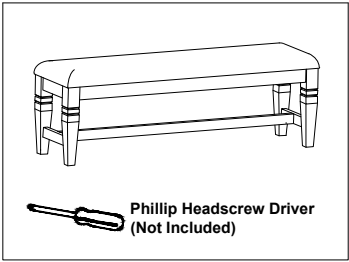




ASSEMBLY INSTRUCTION #1640



PART LIST

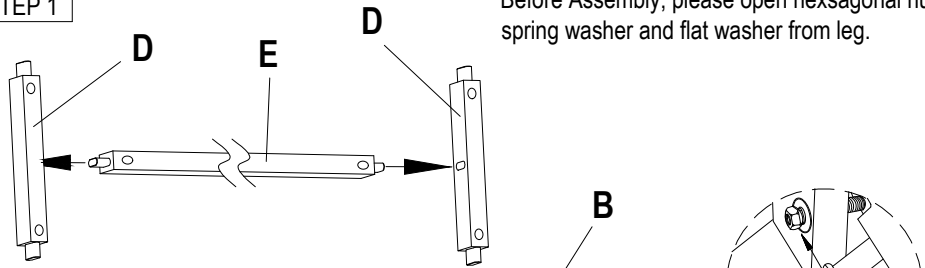
NO	DESCRIPTION	QTY
C	Seat	1 Pc
D	Side Strecher	2 Pcs
E	Center Strecher	1 Pc

HARDWARE LIST

NO	SKETCH	HARDWARE	QTY
1		Screw	6 Pcs
2		Wrench key	1 Pc
A		Leg A	2 Pcs
B		Leg B	2 Pcs

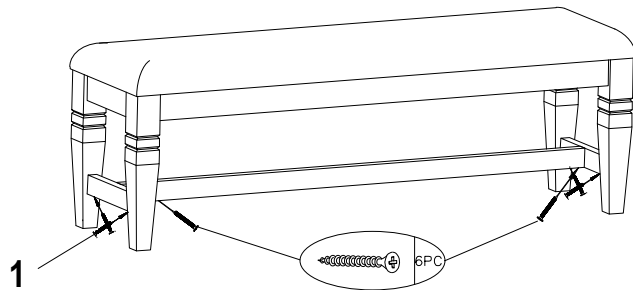
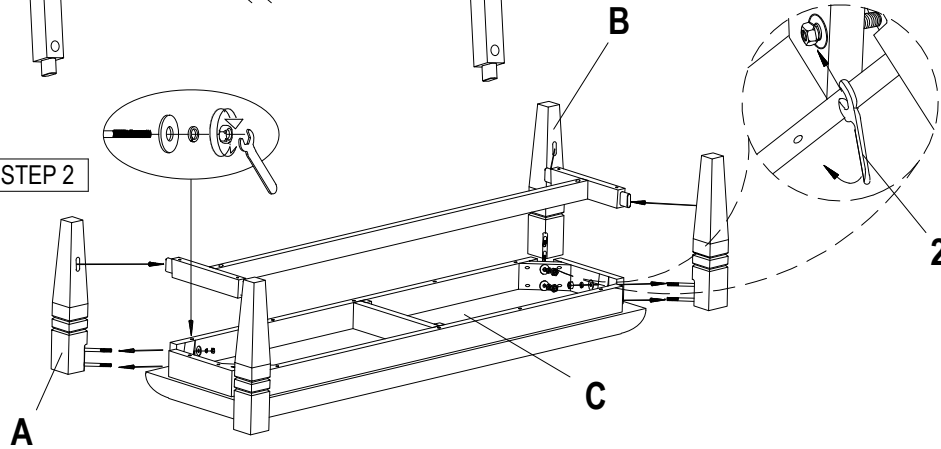
ASSEMBLY STAP

STEP 1

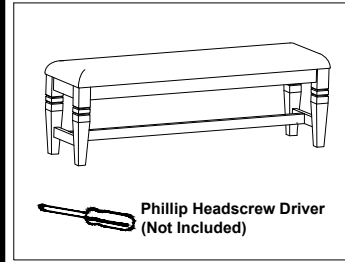


Note:
Before Assembly, please open hexagonal nut, spring washer and flat washer from leg.

STEP 2



ASSEMBLY INSTRUCTION #1640



PART LIST

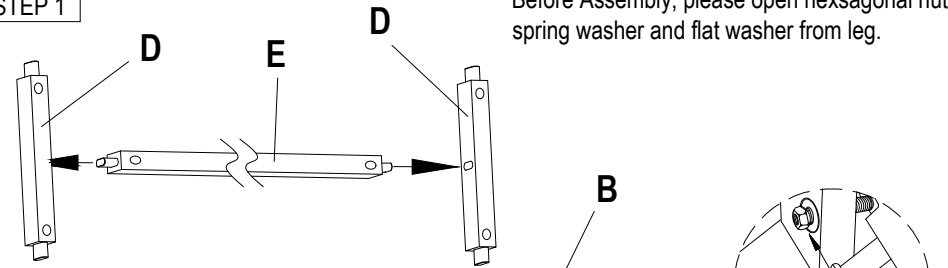
NO	DESCRIPTION	QTY
C	Seat	1 Pc
D	Side Strecher	2 Pcs
E	Center Strecher	1 Pc

HARDWARE LIST

NO	SKETCH	HARDWARE	QTY
1		Screw	6 Pcs
2		Wrench key	1 Pc
A		Leg A	2 Pcs
B		Leg B	2 Pcs

ASSEMBLY STAP

STEP 1



Note:
Before Assembly, please open hexagonal nut, spring washer and flat washer from leg.

STEP 2

