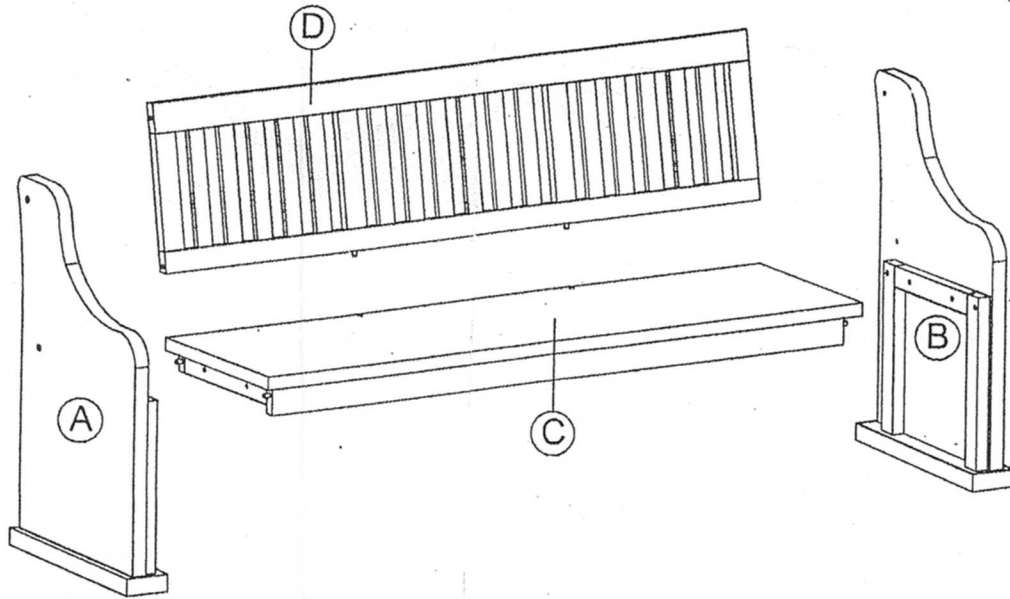


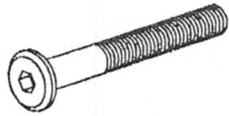


ASSEMBLY INSTRUCTIONS #1629

- A 1pc
- B 1pc
- C 1pc
- D 1pc



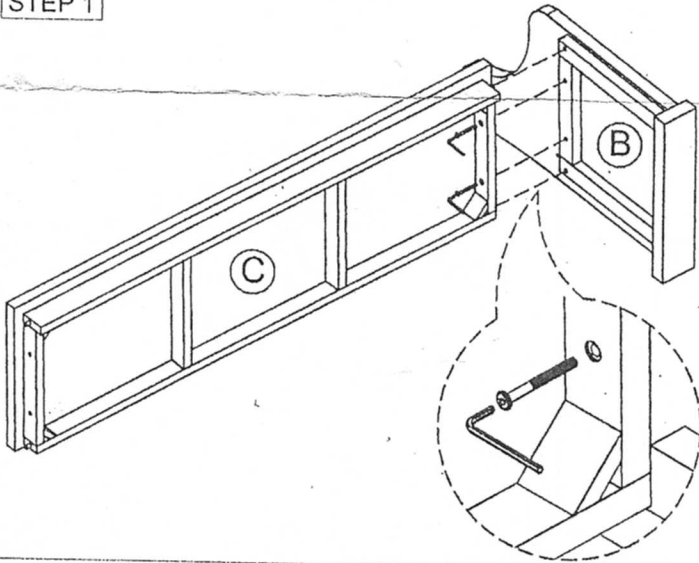
E. JCBC M6 x 50mm (8pcs)



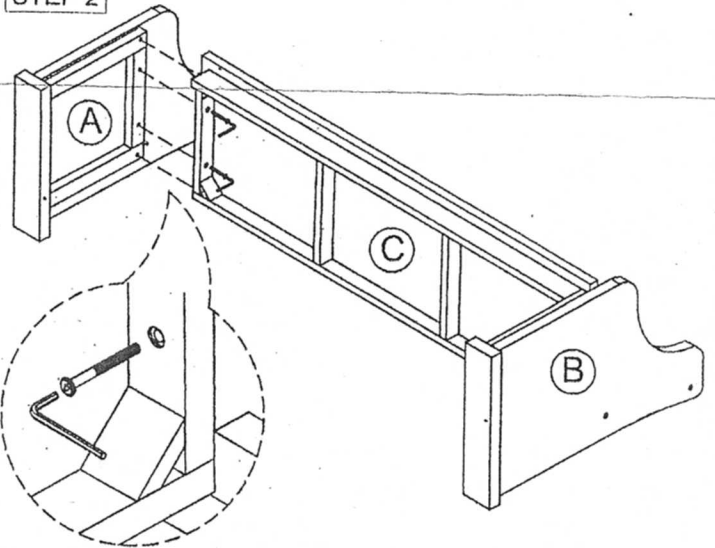
F. Allen Key M6 (1pc)



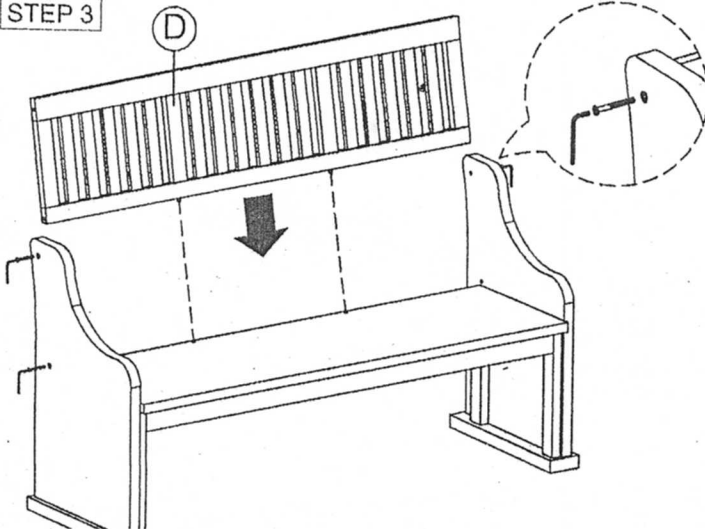
STEP 1



STEP 2



STEP 3



FINISH

