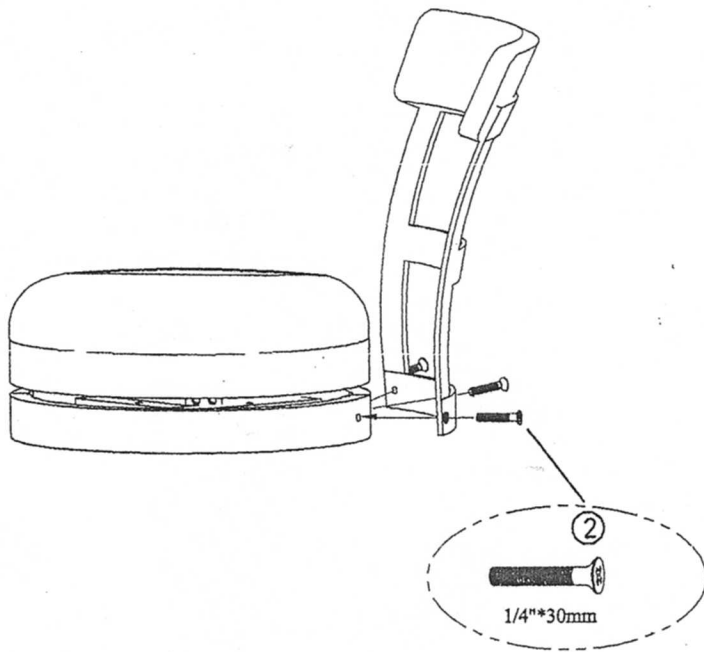






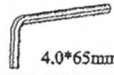
#1624TL\MSIDE-B24\B30

Assembly Instruction

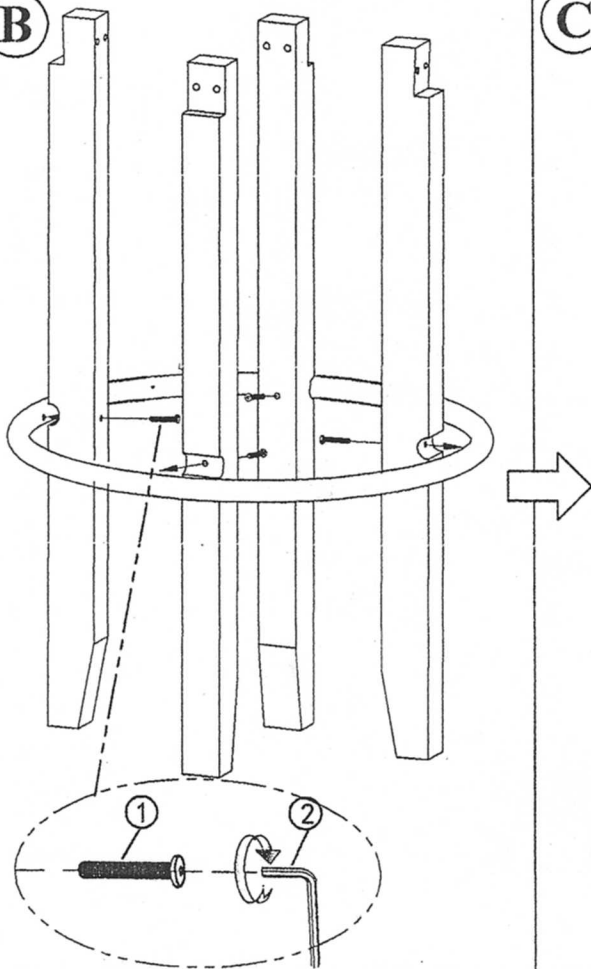
A



Hardware List

	Description	QTY
①	 1/4"×40mm	12PC
②	 1/4"×30mm	3PC
③	 4.0×65mm	1PC
Total		16pc

B



C

