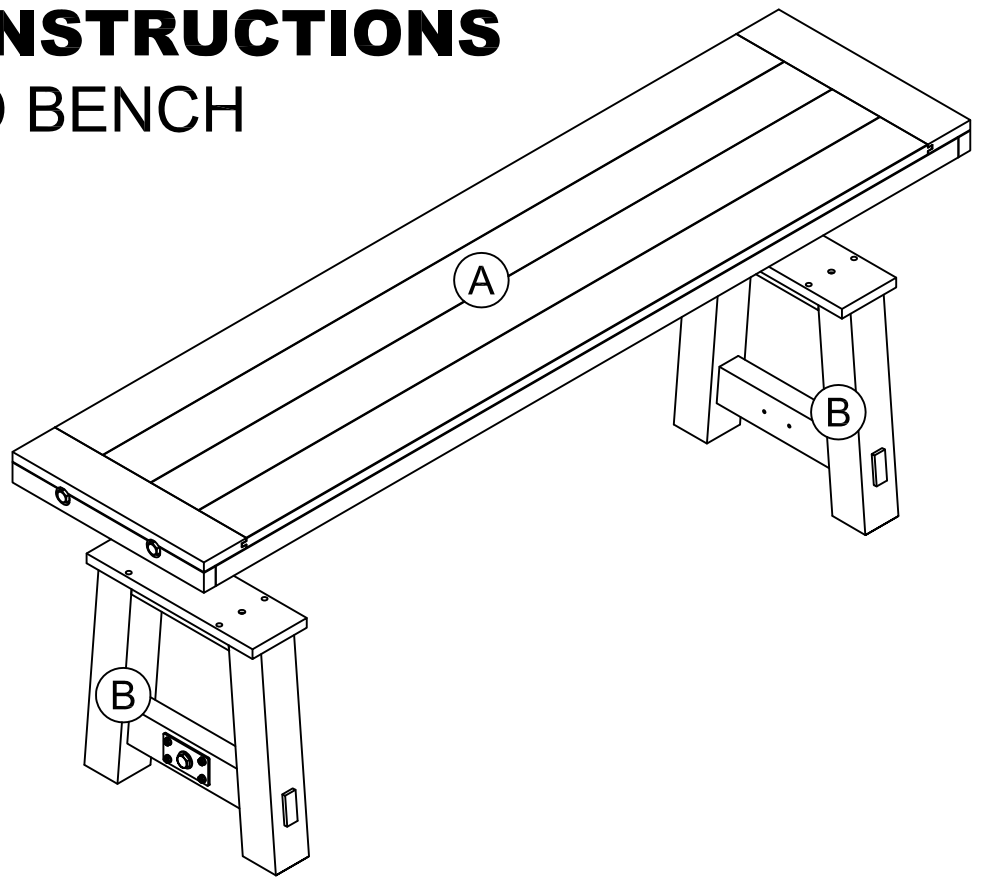


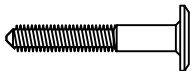
ASSEMBLY INSTRUCTIONS

SANDALWOOD BENCH

A 1X
B 2X



aa = 8x



bb = 4x



cc = 8x



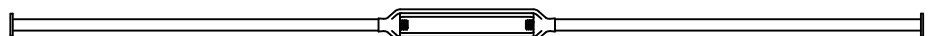
dd = 8x



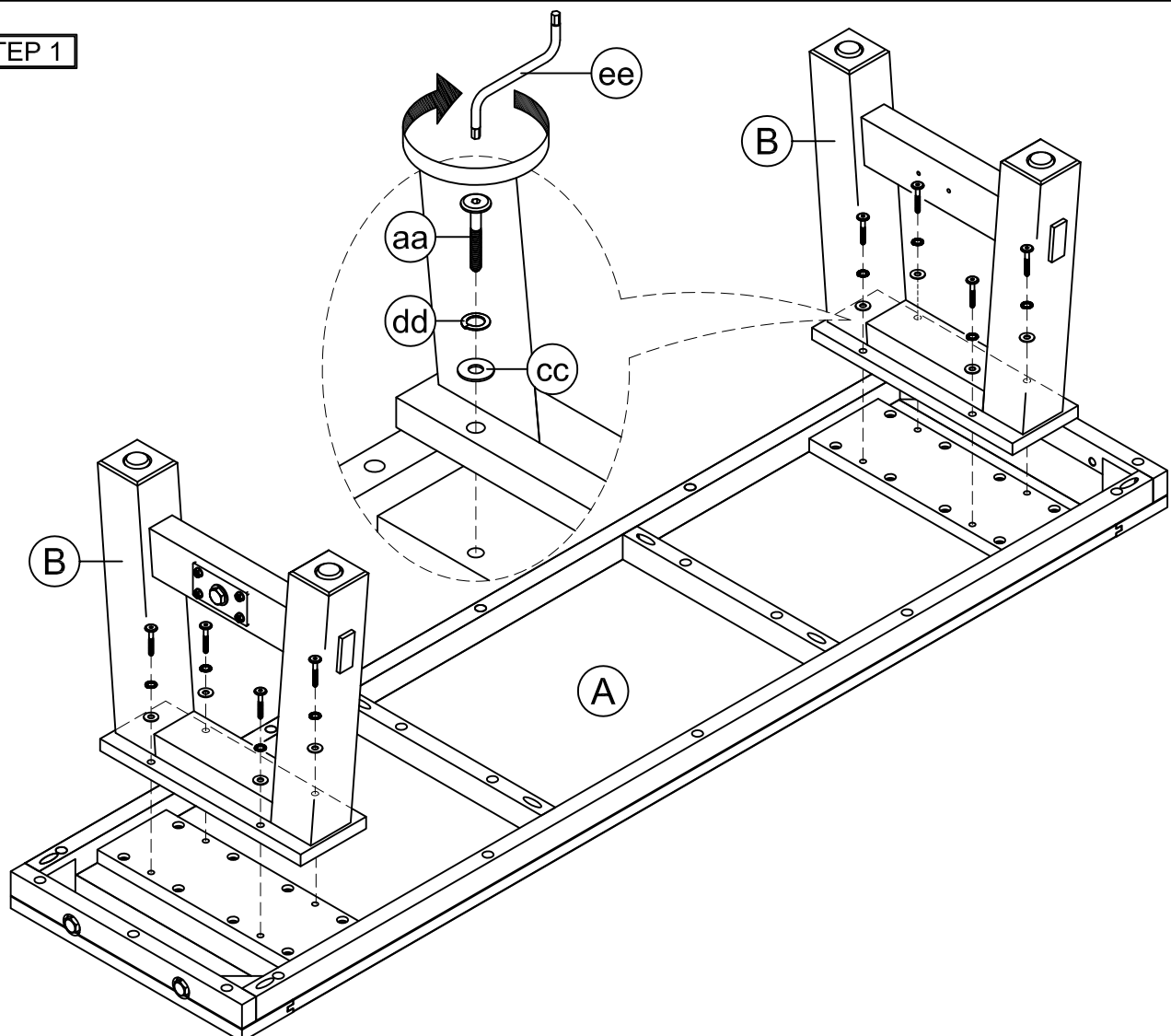
ee = 1x



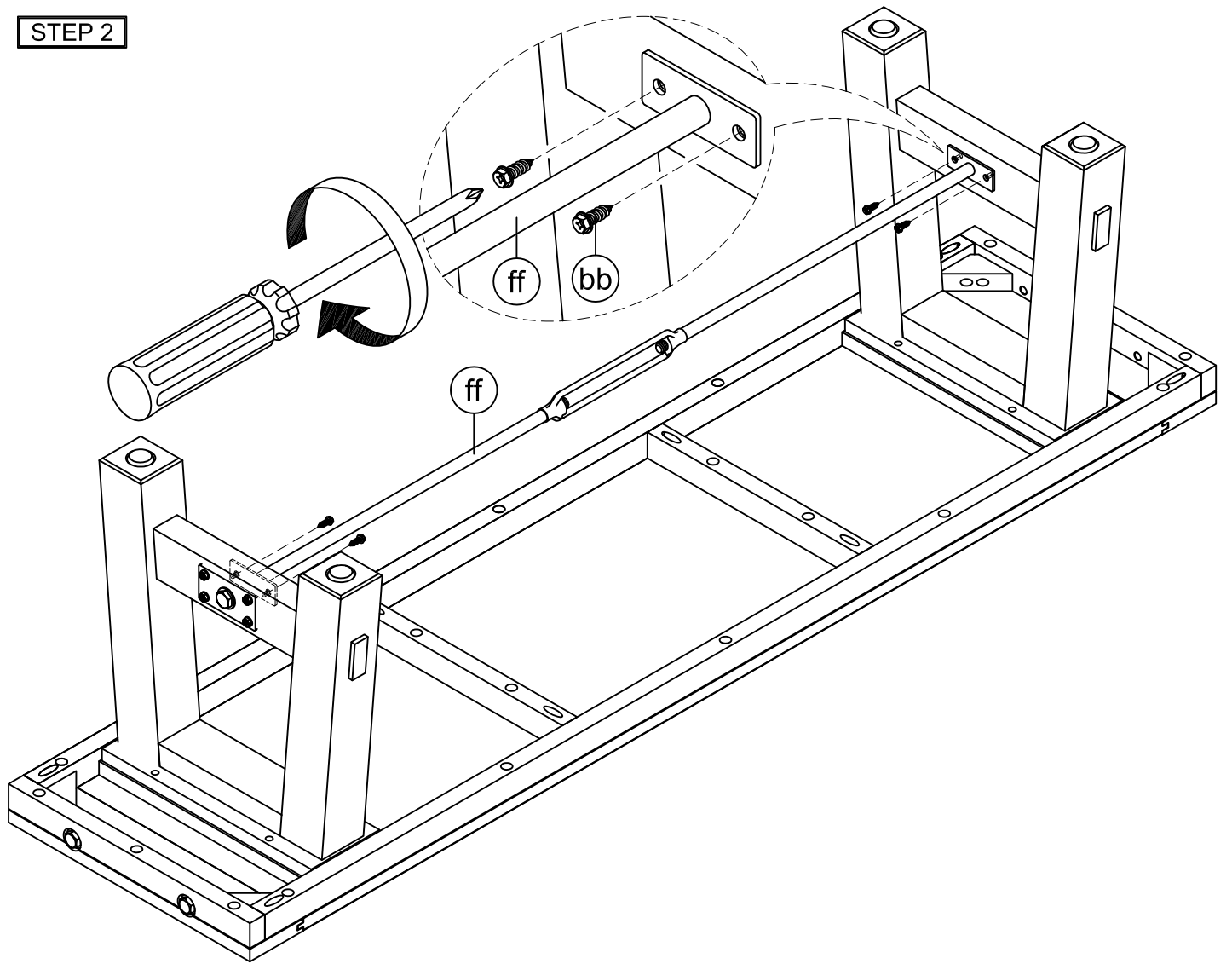
ff = 1x



STEP 1



STEP 2



STEP 3

