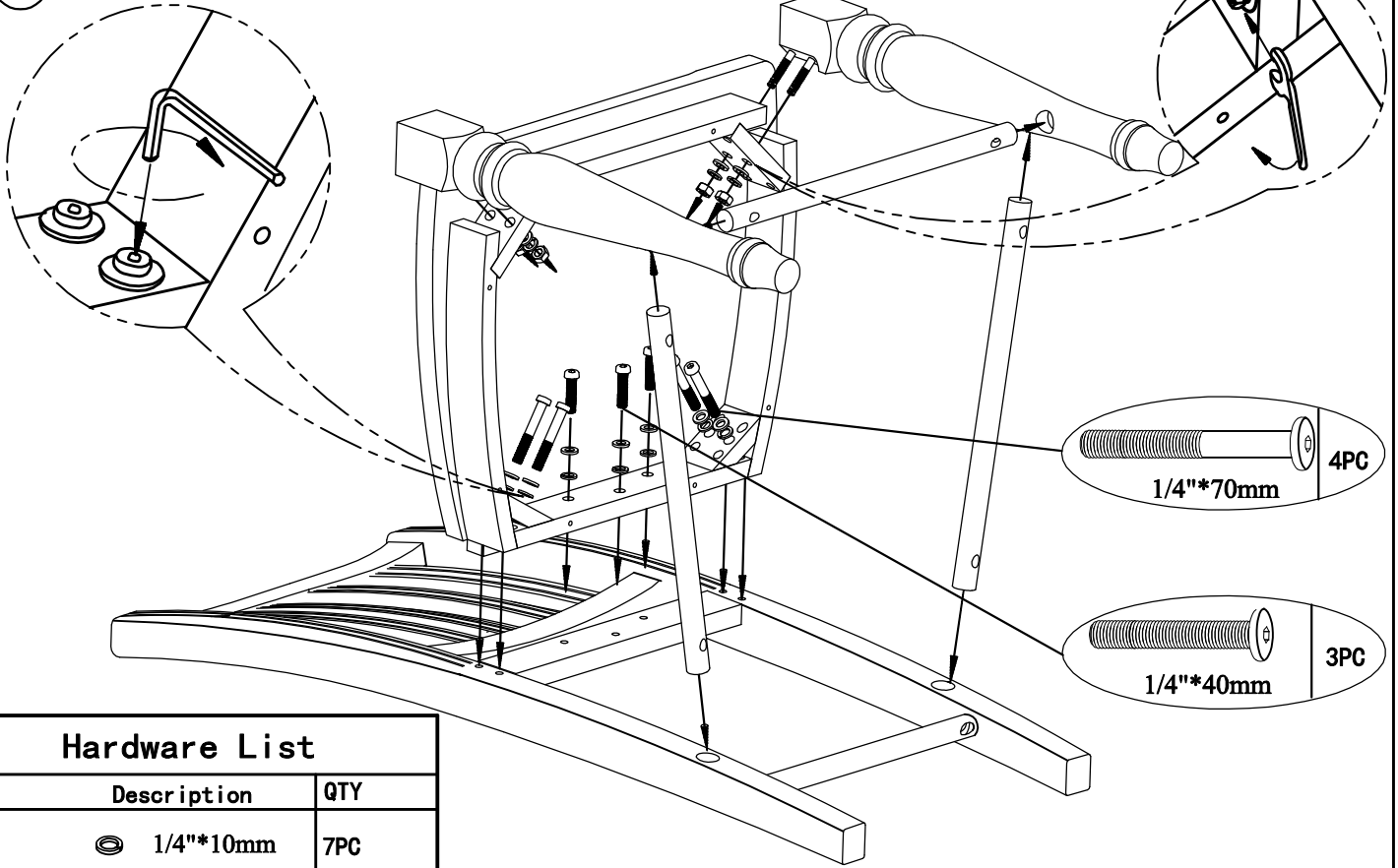




SUNNY DESIGNS

#1431FC-24W--Assembly Instruction

1



Hardware List

Description	QTY
1/4"*10mm	7PC
1/4"*19mm	7PC
5/16"*13mm	4PC
5/16"*22mm	4PC
1/4"*70mm	4PC
1/4"*40mm	3PC
NUT 5/16"*12mm*6mm	4PC
5/16"(12)*87mm	1PC
4.0*38mm	6PC
4.0*65mm	1PC
Total	41pcs

2

