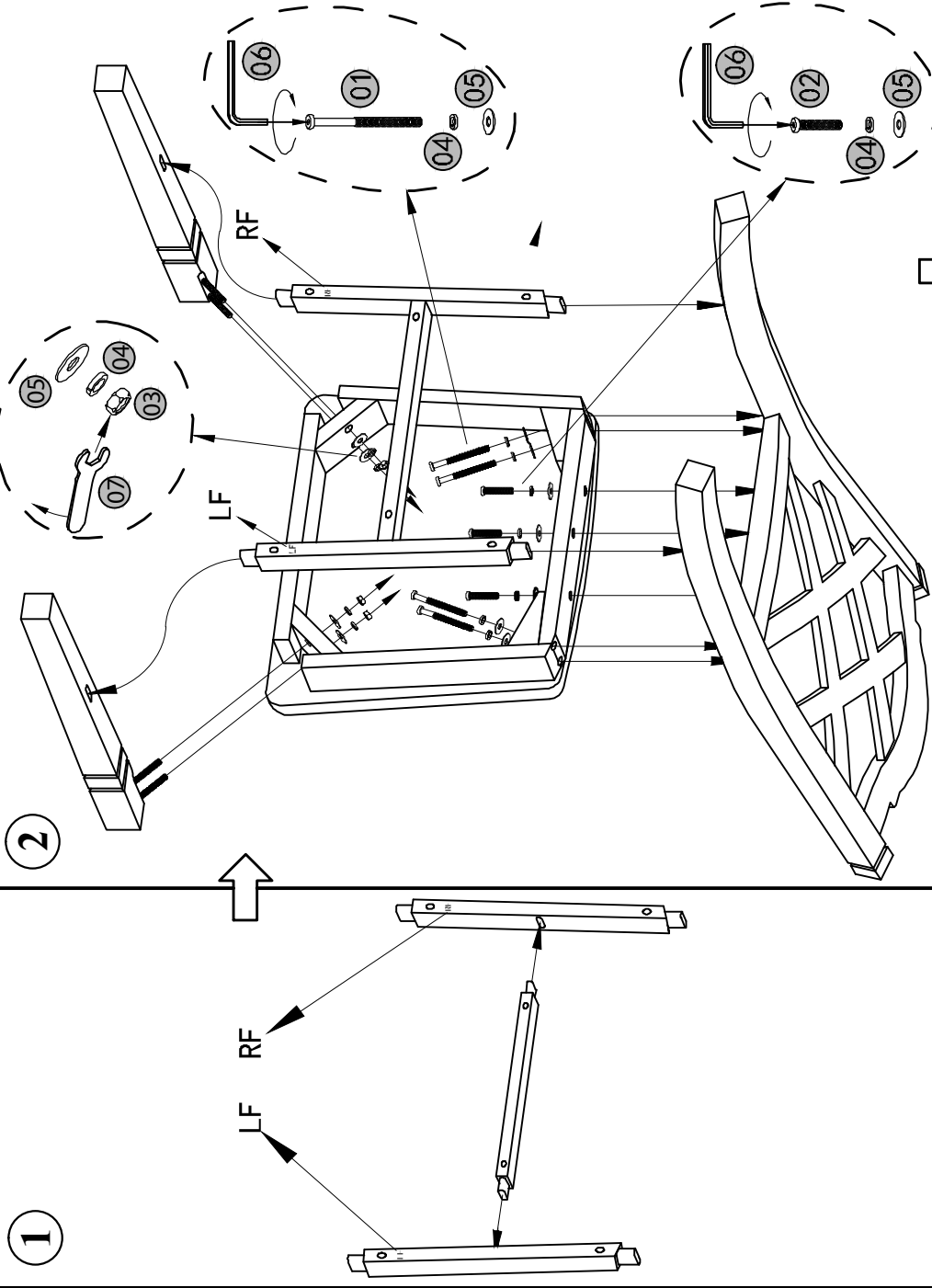


# #1415ACDC\RO Assembly Instruction



SUNNY DESIGNS



Hardware List		
No.	Description	QTY
01		4pc
02		3pc
03		4pc
04		11pc
05		11pc
06		1pc
07		1pc
08		6pc
Total		41pcs

