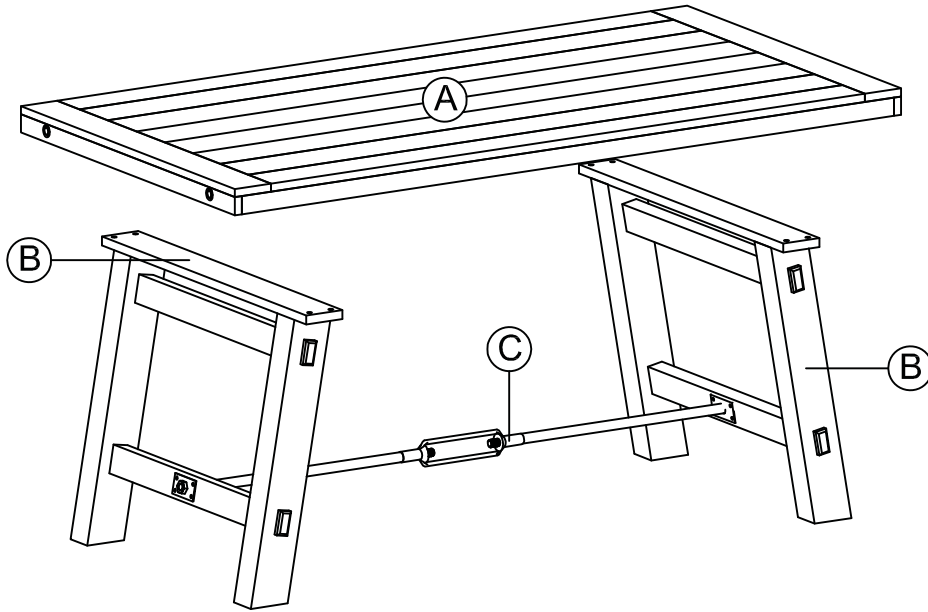




ASSEMBLY INSTRUCTIONS #1367



- A 1pc
- B 2pcs
- C 1pc

D. JCBC M8 x 50mm (8pcs)

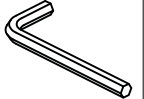
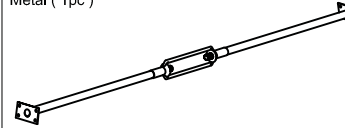
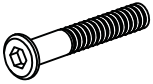
E. Washer Plat M8 (8pcs)

F. Spring Washer M8 (8pcs)

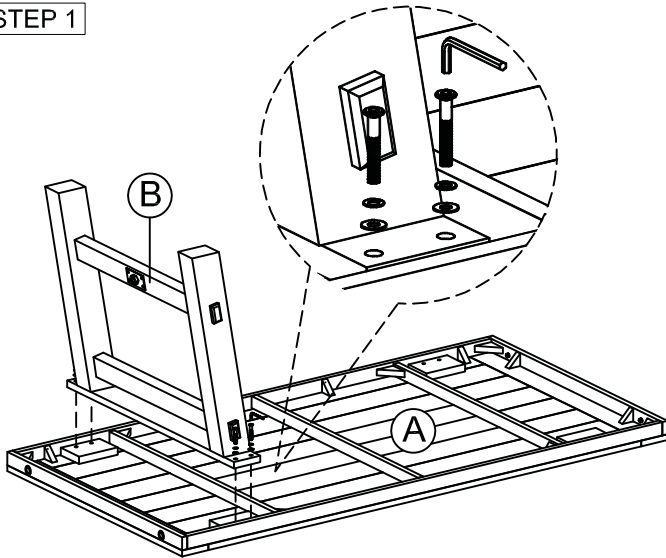
G. Screw M14 x 20mm (8pcs)

Metal (1pc)

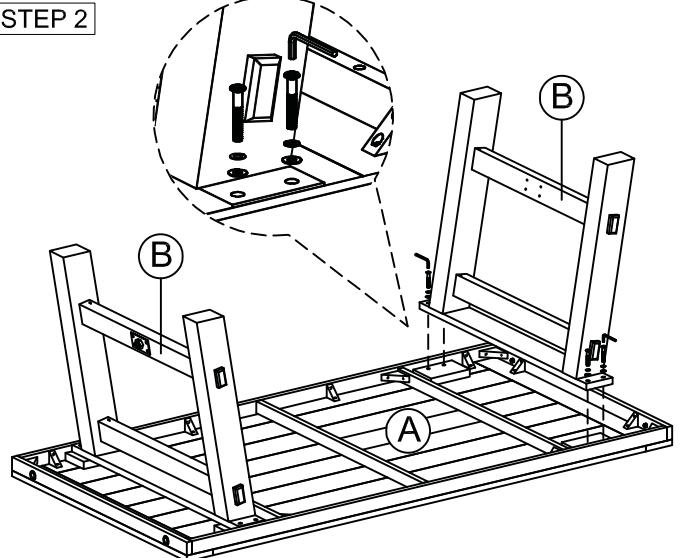
H. Allen Key M8 (1pc)



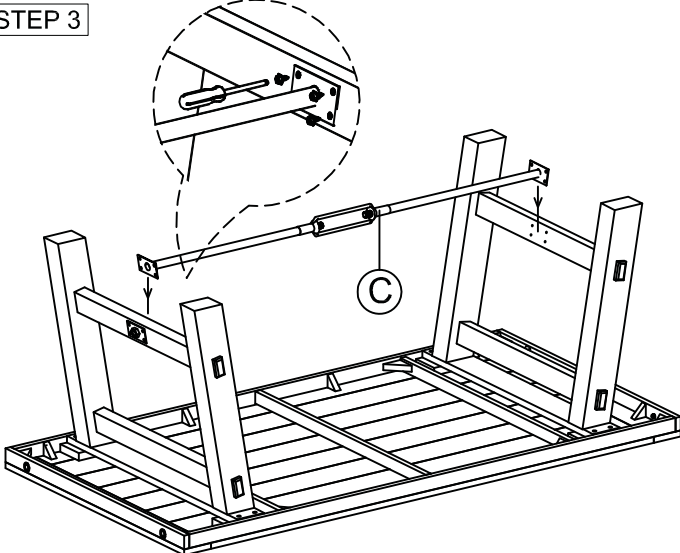
STEP 1



STEP 2



STEP 3



STEP 4

