



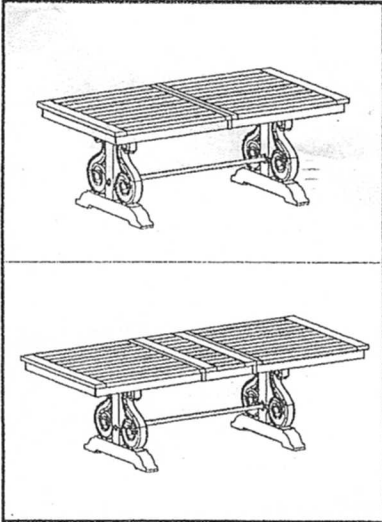
# ASSEMBLY INSTRUCTIONS #1041

## HARDWARE LIST

NO	SKETCH	HARDWARE	QTY
1		Screw $\varnothing 8 \times \frac{3}{4}$ "	8 pcs
2		Hex. Bolt M8 x 80mm	8 pcs
3		Spring Washer	8 pcs
4		Plat Washer	8 pcs
5		Hex. Bolt M19 x 80mm	2 pcs
6		Allen Key	1 pc
7		Wrench Key ( not included )	

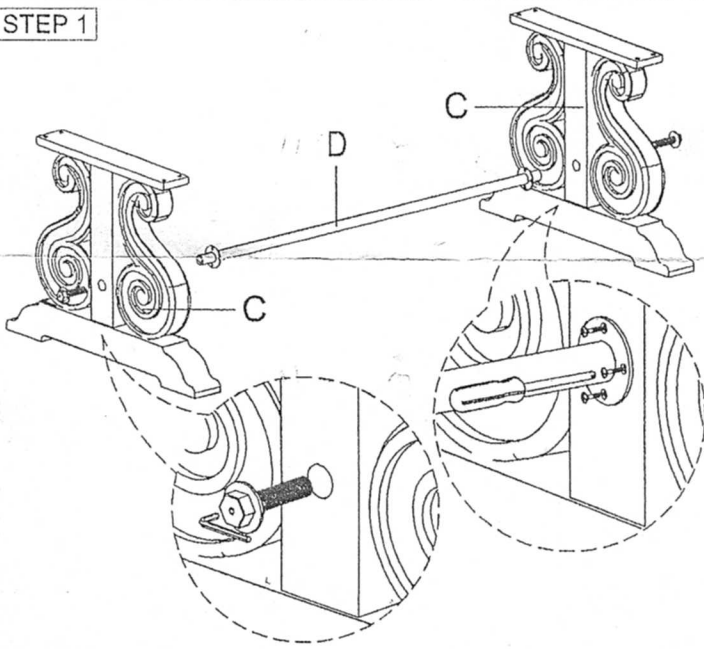
## PART LIST

NO	DESCRIPTION	SKETCH	QTY
A	Top + Apront		1 pc
B	Center Top		1 pc
C	Leg		2 pcs
D	Metal Strecher		1 pc

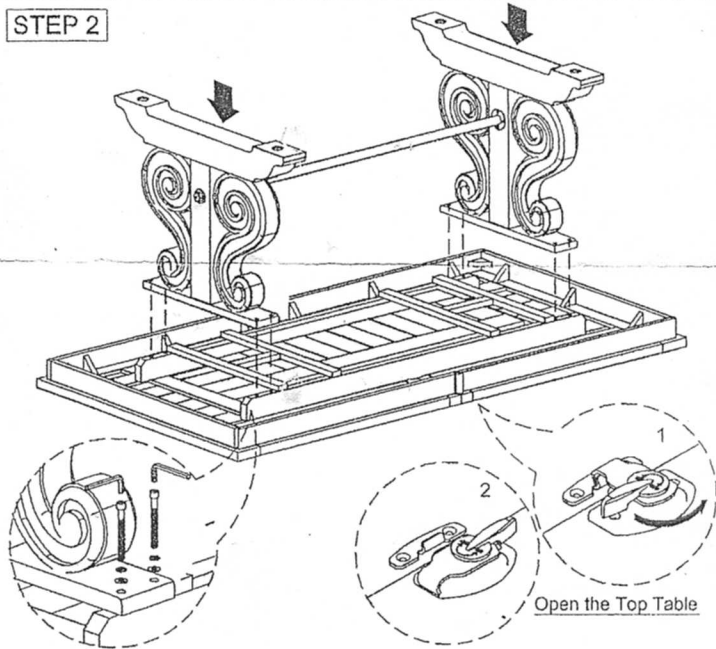


## ASSEMBLY STEP

### STEP 1



### STEP 2



### STEP 3

