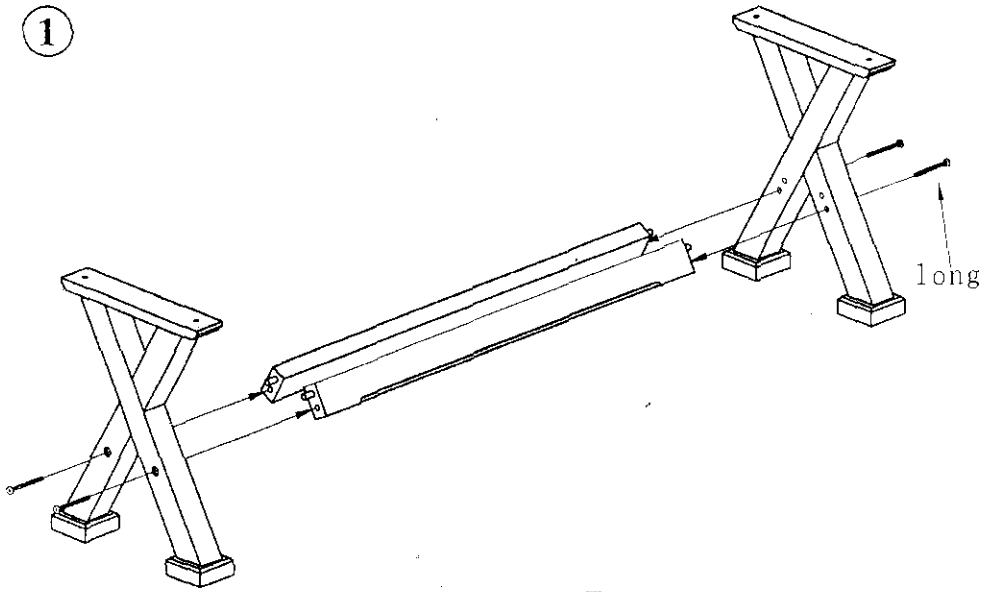


#0222RO/DO-SB Assembly Instruction

1



2

