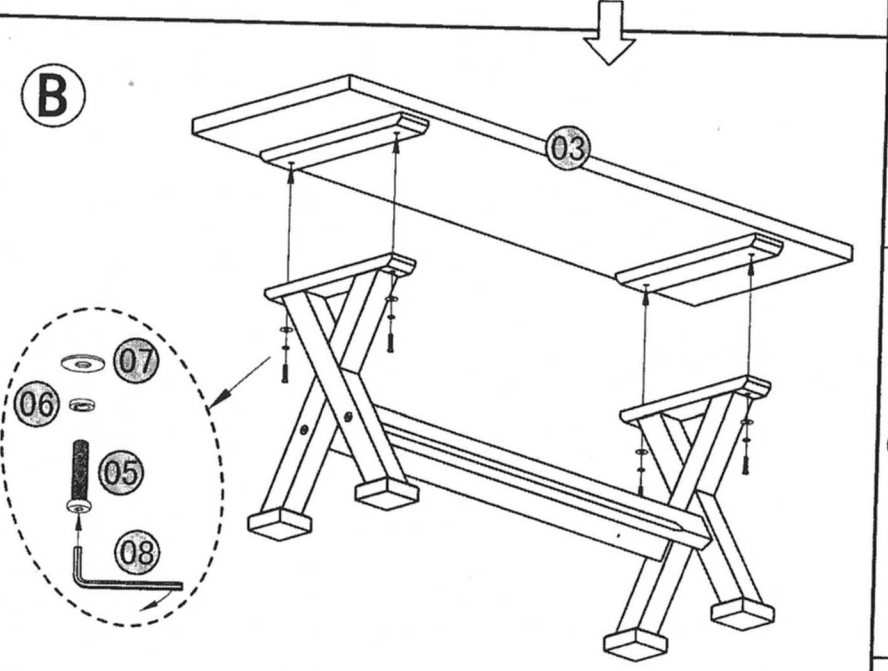
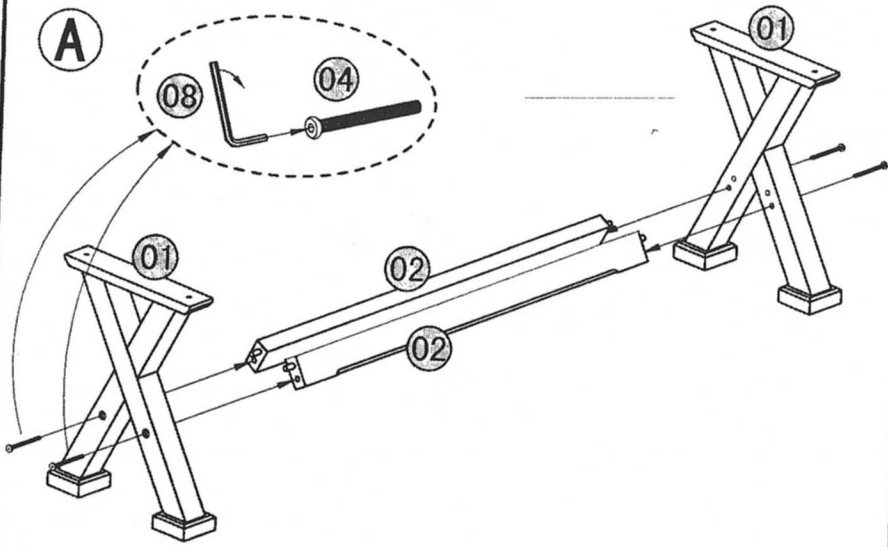
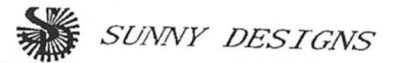


#0222RO-SB Assembly Instruction



Part List			Hardware List		
No.	Description	QTY	No.	Description	QTY
01		2pcs	04		4pcs
02		2pcs	05		4pcs
03		1pcs	06		4pcs
			07		4pcs
			08		1pcs
Total		5pcs	Total		17pcs