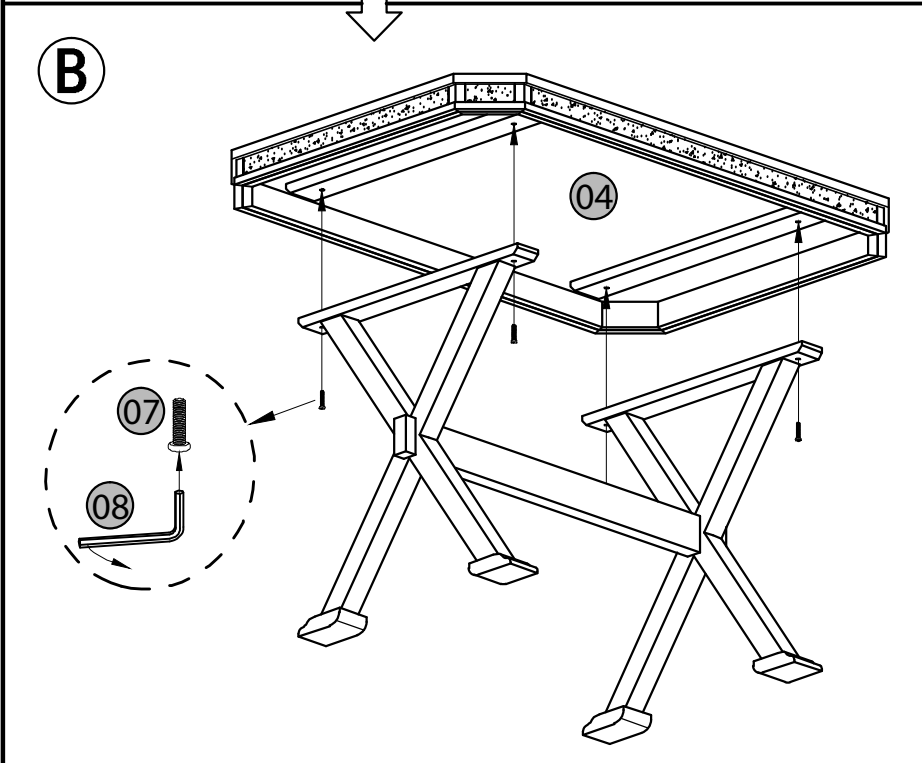
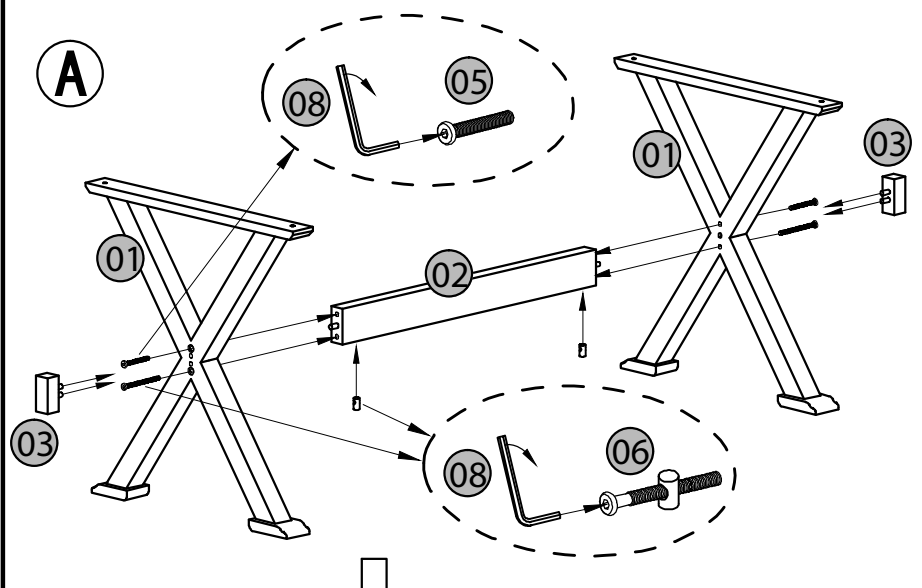
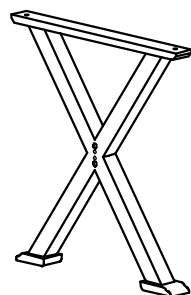


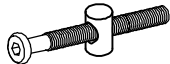
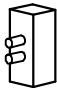

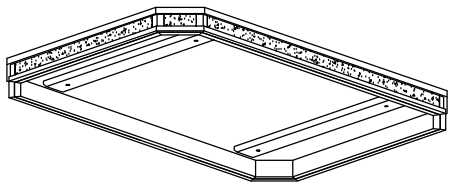



#0222AC-T Assembly Instruction



SUNNY DESIGNS



Part List			Hardware List		
No.	Description	QTY	No.	Description	QTY
01		2pcs	05		2pcs
02		1pcs	06		2pcs
03		2pcs	07		4pcs
04		1pcs	08		1pcs
Total		6pcs	Total		9pcs