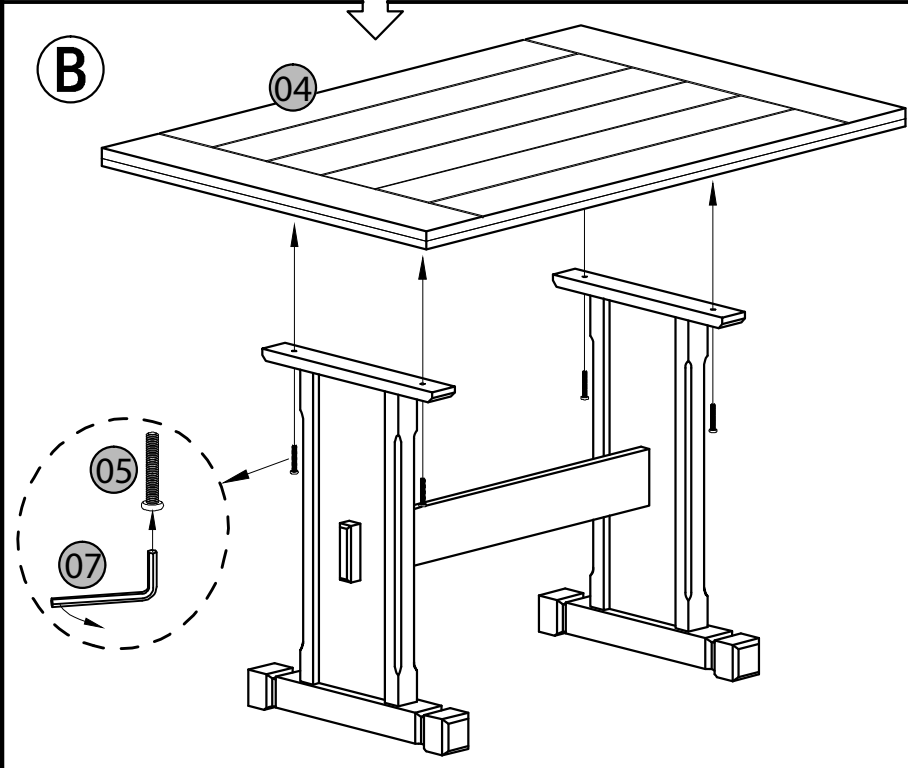
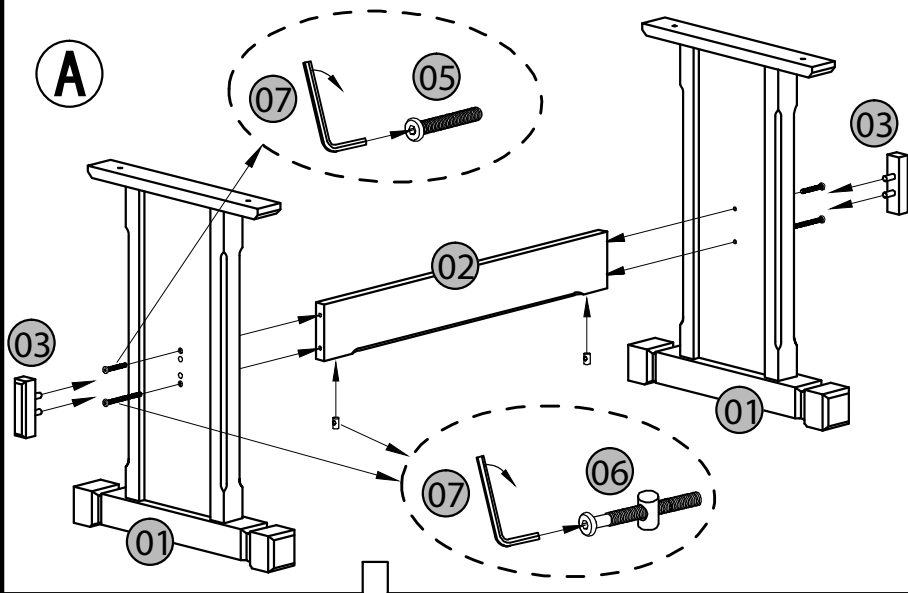


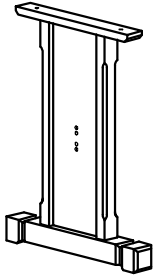

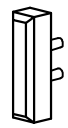
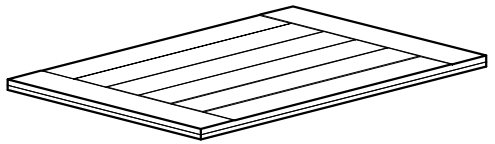
#0219RO-T & #0230DC-T Assembly Instruction




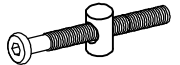

SUNNY DESIGNS



Part List

No.	Description	QTY
01		2pcs
02		1pcs
03		2pcs
04		1pcs
Total		6pcs

Hardware List

No.	Description	QTY
05		6pcs
06		2pcs
07		1pcs
Total		9pcs