



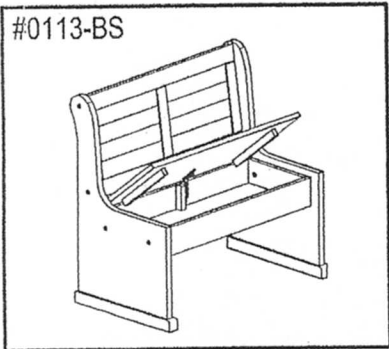
HARDWARE LIST

NO	SKETCH	HARDWARE	QTY
1		JCBC M6 x 45mm	12 pcs
2		Allen Key	1 pc

PART LIST

NO	DESCRIPTION	SKETCH	QTY
A	Side Left		1 pc
B	Side Right		1 pc
C	Seat Holder		1 pc
D	Seat Backrest		1 pc
E	Corner Wood Seat		1 pc

#0113-BS



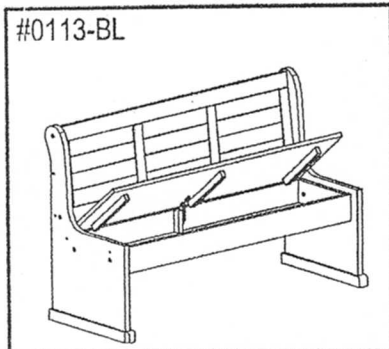
HARDWARE LIST

NO	SKETCH	HARDWARE	QTY
1		JCBC M6 x 45mm	12 pcs
2		Allen Key	1 pc

PART LIST

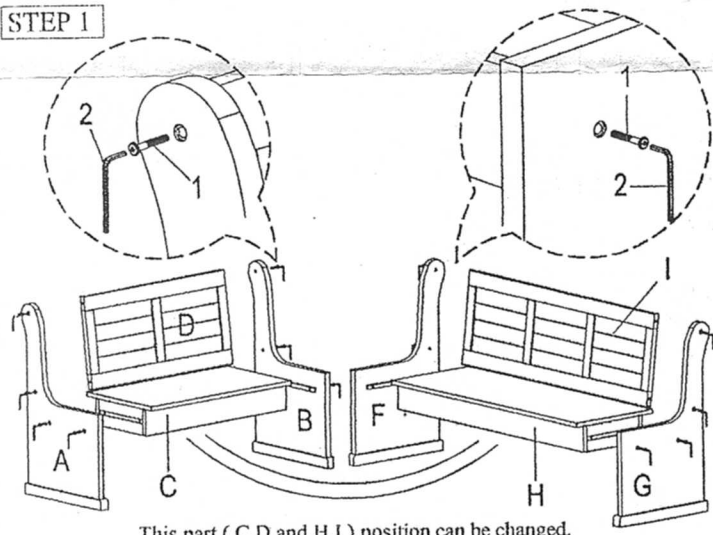
NO	DESCRIPTION	SKETCH	QTY
F	Side Left		1 pc
G	Side Right		1 pc
H	Seat Holder		1 pc
I	Seat Backrest		1 pc
J	Corner Backrest		1 pc

#0113-BL



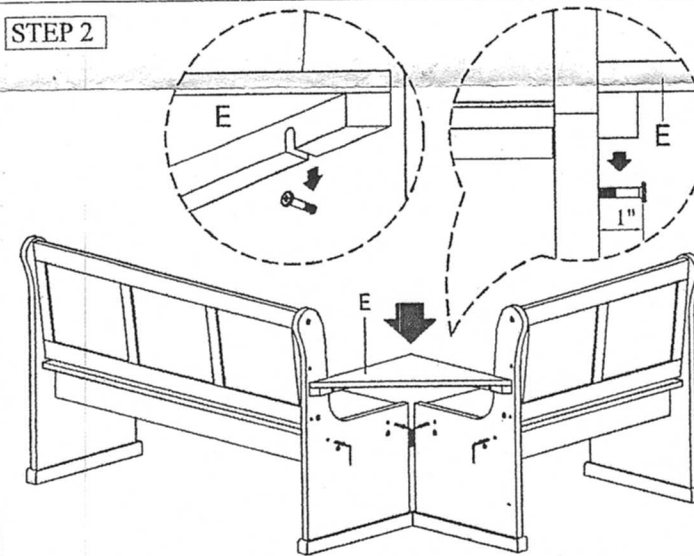
ASSEMBLY STEP

STEP 1

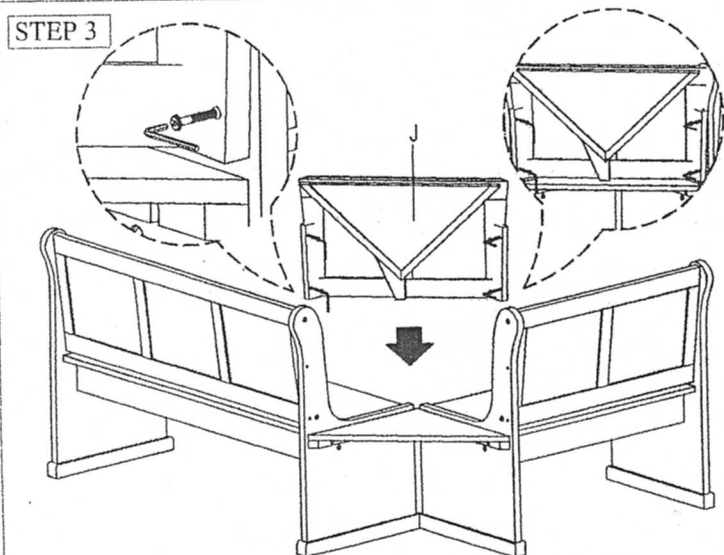


This part (C,D and H,I) position can be changed.

STEP 2



STEP 3



FINISH

