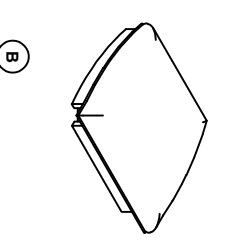
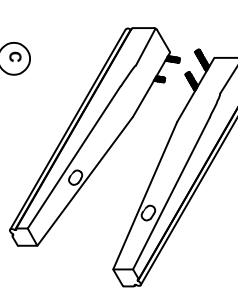
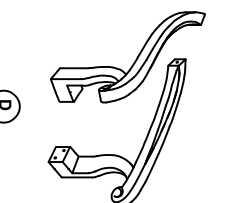
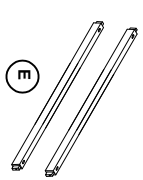







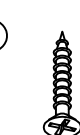
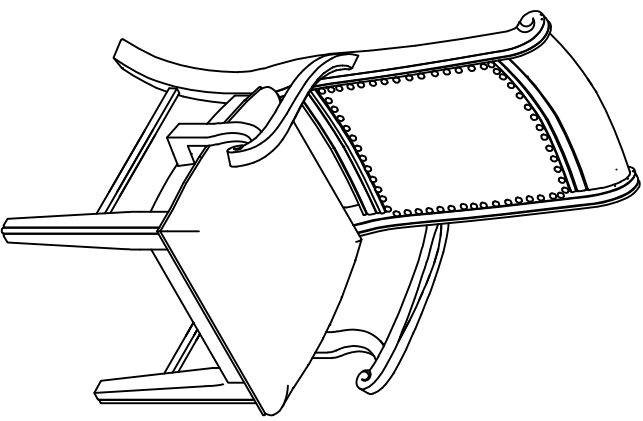
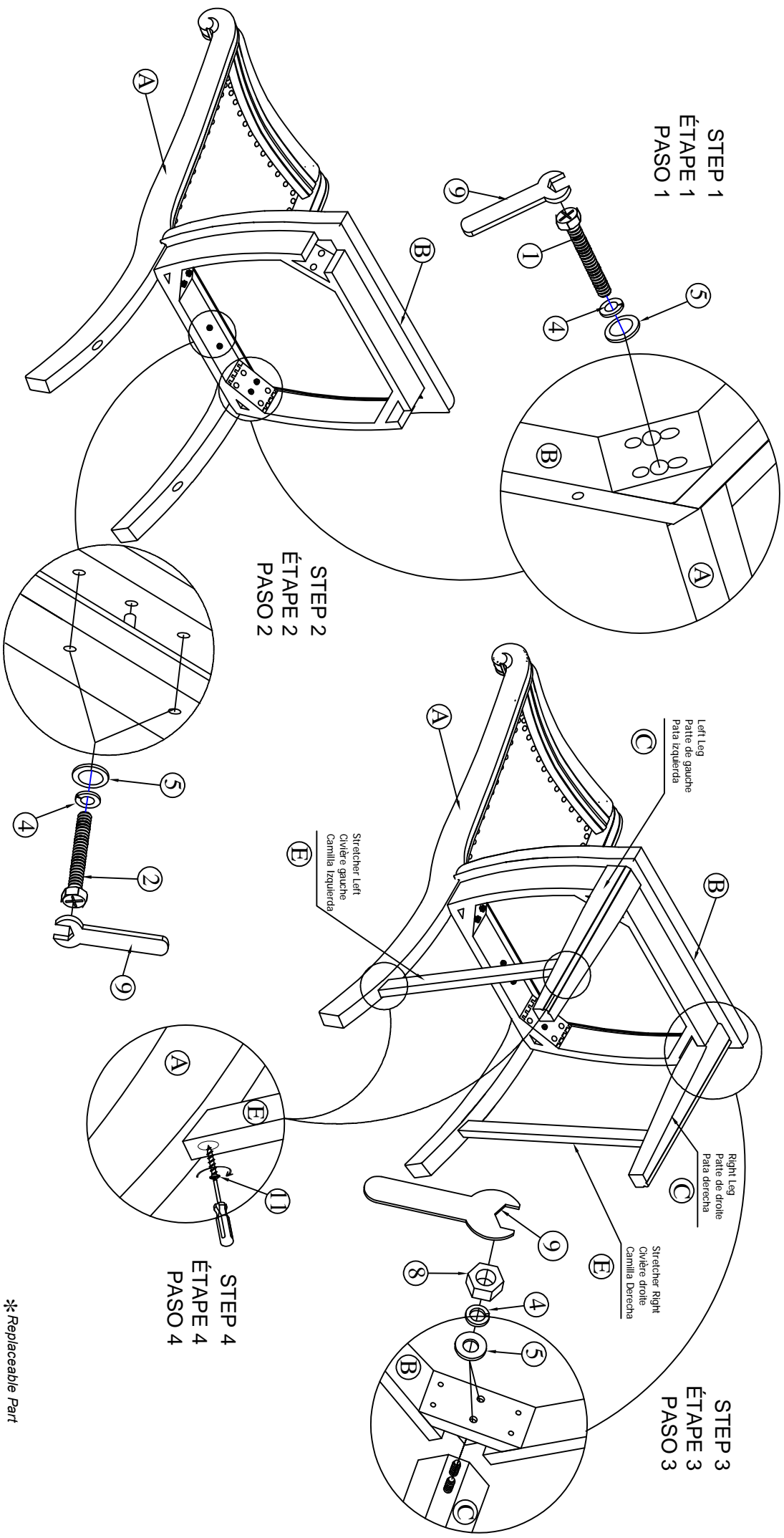
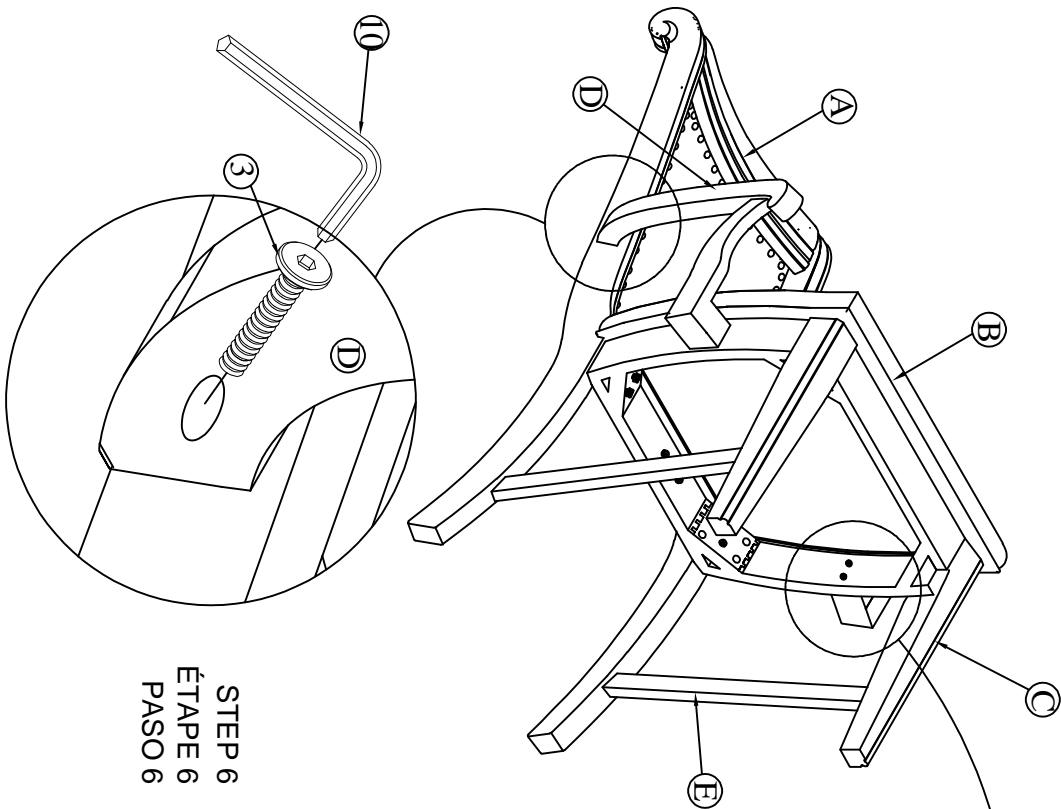
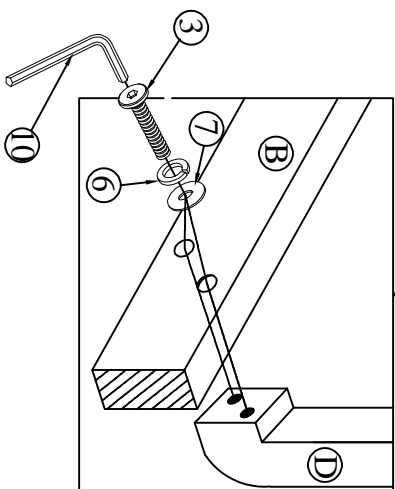
 <p>A</p>	<ul style="list-style-type: none"> x1 Chair Back * x1 Dossier de chaise * x1 Respaldo de silla *
 <p>B</p>	<ul style="list-style-type: none"> x1 Seat Frame with Cushion * x1 Cadre de siège avec coussin * x1 Armazón del asiento con cojín *
 <p>C</p>	<ul style="list-style-type: none"> x2 Front Leg (Left & Right) * x2 Jambes avant (gauche et droite) * x2 Pata delantera (izquierda y derecha) *
 <p>D</p>	<ul style="list-style-type: none"> x2 Arms (Left & Right) * x2 Bras (gauche et droite) * x2 Brazos (izquierda y derecha) *
 <p>E</p>	<ul style="list-style-type: none"> x2 Stretcher (Left & Right) * x2 Tendeur (gauche et droite) * x2 Camilla (izquierda y derecha) *
 <p>1</p>	<ul style="list-style-type: none"> x4 Allen bolt Ø5/16" * 75mm * x4 Vis à tête creuse hexagonale Ø5/16" * 75mm * x4 Perno Allen Ø5/16" * 75mm *
 <p>5</p>	<ul style="list-style-type: none"> x10 Flat washer Ø5/16" * 19.2mm * x10 Rondelle de blocage Ø5/16" * 19.2mm * x10 Arandela plana Ø5/16" * 19.2mm *
 <p>6</p>	<ul style="list-style-type: none"> x4 Lock washer Ø1/4" * 1.2mm * x4 Rondelle de blocage Ø1/4" * 1.2mm * x4 Arandela de Seguridad Ø1/4" * 1.2mm *
 <p>7</p>	<ul style="list-style-type: none"> x4 Flat washer Ø1/4" * 19.2mm * x4 Rondelle de blocage Ø1/4" * 19.2mm * x4 Arandela plana Ø1/4" * 19.2mm *
 <p>4</p>	<ul style="list-style-type: none"> x10 Lock washer Ø5/16" * 13.2mm * x10 Rondelle de blocage Ø5/16" * 13.2mm * x10 Arandela de Seguridad Ø5/16" * 13.2mm *
 <p>9</p>	<ul style="list-style-type: none"> x1 Open wrench 12mm * x1 Clé à fourche 12mm * x1 Llave de boca 12mm *
 <p>10</p>	<ul style="list-style-type: none"> x1 Allen key M4 * x1 Clé hexagonale * x1 Llave Allen *
 <p>11</p>	<ul style="list-style-type: none"> x4 Wood Screw #8*50mm * x4 Vis à bois #8*50mm * x4 Tornillo para madera #8*50mm *
<ul style="list-style-type: none"> x4 Hex nut 12*12.6mm * x4 Ecrrou hexagonale 12*12.6mm * x4 Tuerca hexagona 2*12.6mm * 	<p>*Replaceable Part</p>



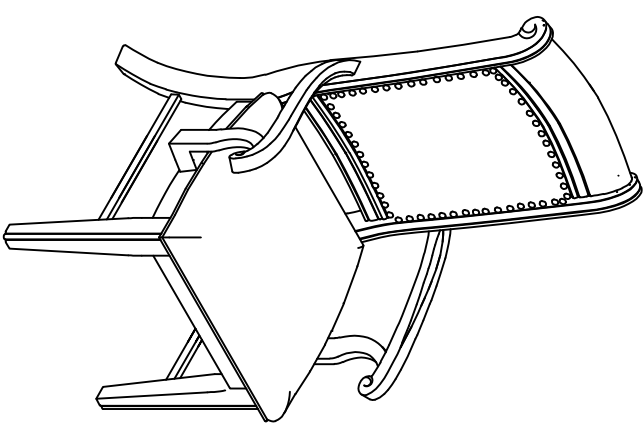




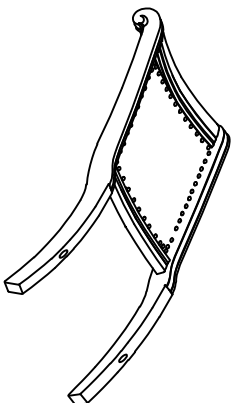
STEP 6
ÉTAPE 6
PASO 6



STEP 5
ÉTAPE 5
PASO 5

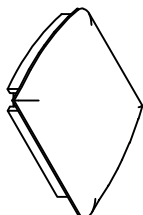


**Replaceable Part*

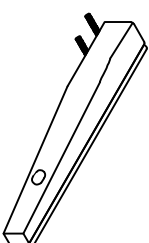


x1 RS958-155-BACK-Chair Back
 Dossier de chaise
 Respaldo de silla

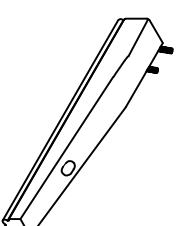
x1 RS958-155-SEAT-Seat Cushion with Frame
 Cadre de siège avec coussin
 Armazón del asiento con cojín



x1 RS958-154-LEGL-Front Leg Left
 Jambé avant gauche
 Pata delantera izquierda



x1 RS958-154-LEGR-Front Leg Right
 Jambé avant droite
 Pata delantera derecha



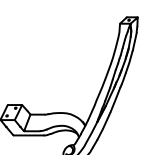
x1 RS958-154-STRETCHERL-Stretcher Left
 Civière gauche
 Carnilla Izquierda



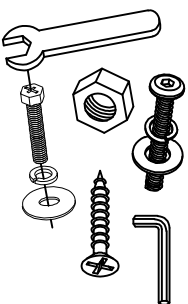
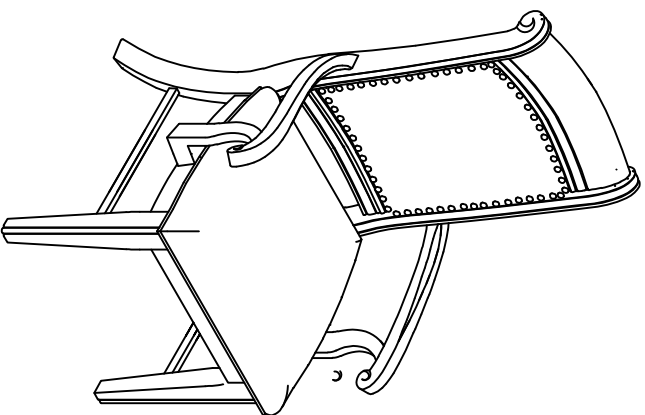
x1 RS958-154-STRETCHERR-Stretcher Right
 Civière droite
 Carnilla Derecha



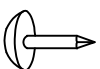
x1 RS958-155-ARML-Left Arm
 Bras gauche
 Brazo izquierdo



x1 RS958-155-ARMR-Right Arm
 Bras droit
 Brazo derecho



x1 RS958-155-HWKIT-Hardware kit list
 Liste des pièces de quincailleries
 Lista del kit de materiales



x4 RC-WH-MAIL- White Plastic nail
 Clou en plastique
 Clavo de plástico

***Replaceable Part**

Protect Your Wood or Laminate Flooring

*This statement applies to any floor without carpet.

If not careful, all furniture including upholstery and case pieces can scratch, scuff and even gouge floors. The recommendation is to have felt, rubber pads or area rugs under furniture on flooring without carpet.

Moving your furniture

Pushing and dragging furniture over floors without carpet can lead to scratches and scuffs. Have someone help when moving the larger pieces of furniture by lifting, try using a dolly or moving pads.

Felt and rubber pads

Applying furniture pads to the feet of furniture helps cushion contact points. Furniture pads can be found at local hardware stores. Felt pads slide easily across the floor, making them ideal for dining chairs and other pieces that move with use. Rubber pads will help furniture stay in place and are perfect for larger pieces, like sofas and loveseats.

Area rugs and rug pads

Using an area rug under furniture is another way to protect your floor from scratches and scuff marks. A rug pad under the area rug will provide extra cushion and added protection.