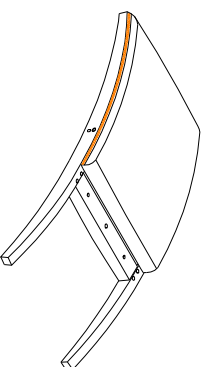
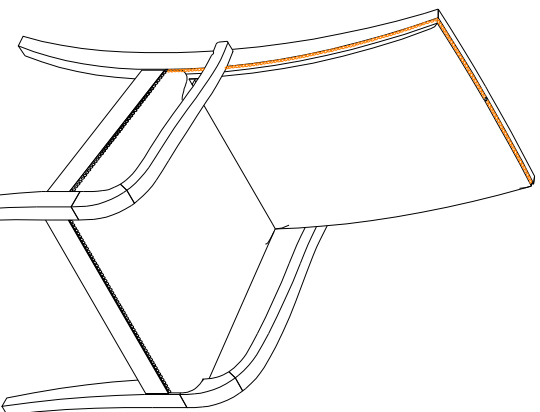
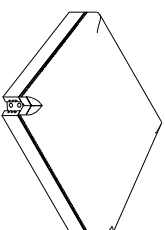


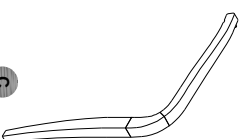
PARTS LIST / LISTE DES PIÈCES / LISTA DE PIEZAS ITEM NO./ NO D'ARTICLE/ ARTICULO NO. : P359271 DESCRIPTION/ LA DESCRIPTION / DESCRIPCIÓN : UPHOLSTERED ARM CHAIR/CHAISE À ACCOUROIRS AVEC DOSSIER EN BOIS / SILLA DE BRAZOS CON RESPALDO DE MADERA



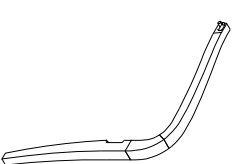
A
x1 Chair back *
x1 Dossier de chaise
x1 Respaldo de la silla



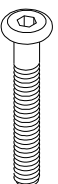
B
x1 Seat frame *
x1 Coté du cadre
x1 Armazon lateral



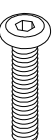
C
x1 Front leg - left arm *
x1 Pate avant - accoudoir gauche
x1 Pata delantera - brazo izquierdo



D
x1 Front leg - right arm *
Pate avant - accoudoir droit
Pata delantera - brazo derecho



E
x4 Allen bolt $\phi 5/16" \times 76mm$ *
x4 Vis à tête creuse hexagonale $\phi 5/16" \times 76mm$
x4 Perno Allen $\phi 5/16" \times 76mm$



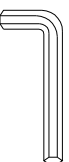
F
x5 Allen bolt $\phi 5/16" \times 57mm$ *
x5 Vis à tête creuse hexagonale $\phi 5/16" \times 57mm$
x5 Perno Allen $\phi 5/16" \times 57mm$



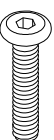
G
x9 Flat Washer $\phi 5/16" \times 19 \times 2mm$ *
x9 Rondelle plate $\phi 5/16" \times 19 \times 2mm$
x9 Arandela plana $\phi 5/16" \times 19 \times 2mm$



H
x9 Lock washer $\phi 5/16"$ *
x9 Rondelle de blocage $\phi 5/16"$
x9 Arandela de Seguridad $\phi 5/16"$



I
x1 Allen Key 5mm *
x1 Clé hexagonale 5mm
x1 Llave Allen 5mm



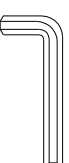
J
x2 Allen bolt $\phi 1/4" \times 38mm$ *
x2 Vis à tête creuse hexagonale $\phi 1/4" \times 38mm$
x2 Perno Allen $\phi 1/4" \times 38mm$



K
x2 Flat Washer $\phi 1/4" \times 13 \times 2mm$ *
x2 Rondelle plate $\phi 1/4" \times 13 \times 2mm$
x2 Arandela plana $\phi 1/4" \times 13 \times 2mm$



M
x2 Lock washer $\phi 1/4"$ *
x2 Rondelle de blocage $\phi 1/4"$
x2 Arandela de Seguridad $\phi 1/4"$



N
x1 Allen Key 4mm *
x1 Clé hexagonale 4mm
x1 Llave Allen 4mm



P
x2 Wooden Plug $\phi 15.5$ *
x2 Traversé latérale
x1 Tapón de madera

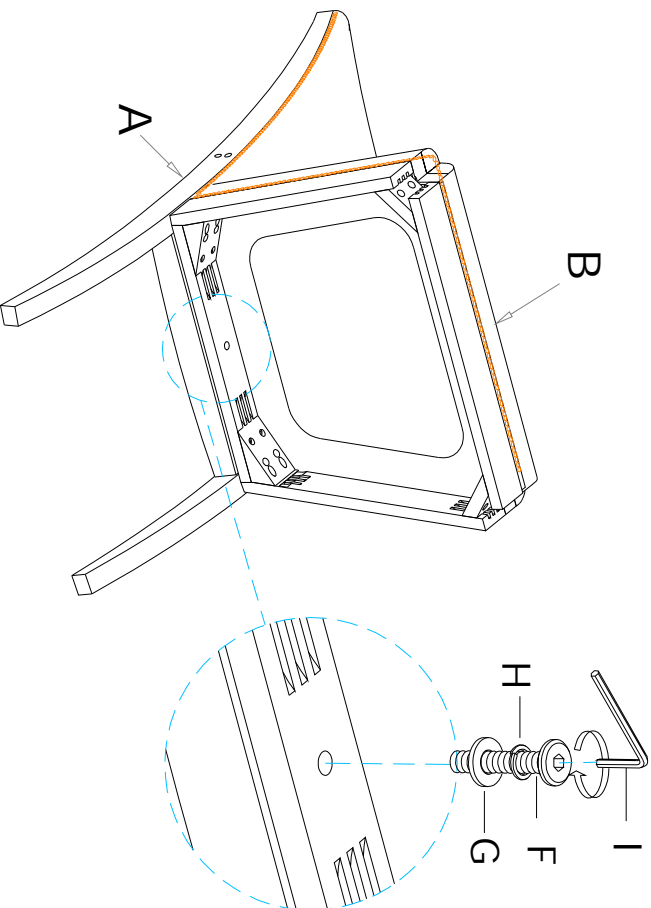
* Replaceable Part

ASSEMBLY INSTRUCTIONS/ NOTICE DE MONTAGE/ INSTRUCCIONES DE MONTAJE

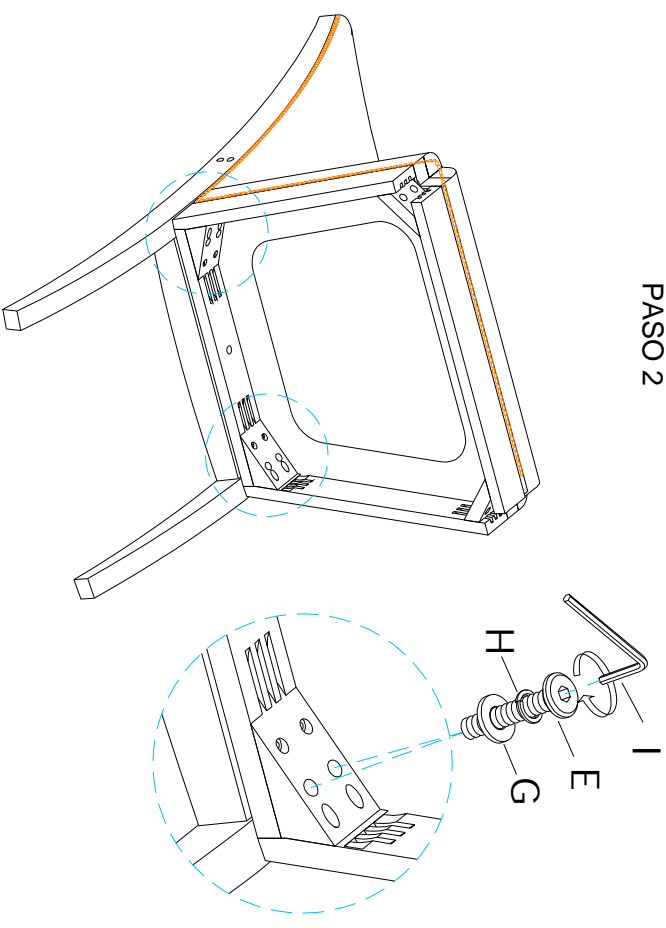
ITEM NO./ NO D'ARTICLE/ ARTICULO NO. : P359271

DESCRIPTION/ LA DESCRIPTION / DESCRIPCIÓN : UPHOLSTERED ARM CHAIR/CHAISE À ACCOUDOIRS AVEC DOSSIER EN BOIS /SILLA DE BRAZOS CON RESPALDO DE MADERA

STEP 1
ÉTAPE 1
PASO 1

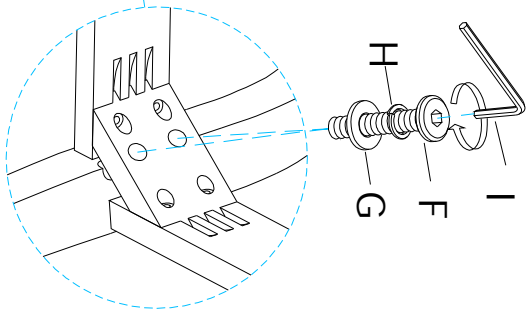
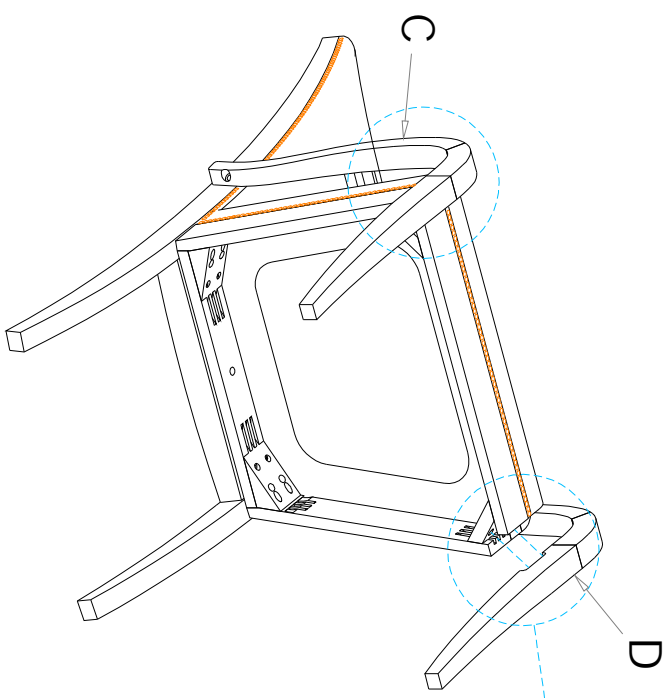


STEP 2
ÉTAPE 2
PASO 2

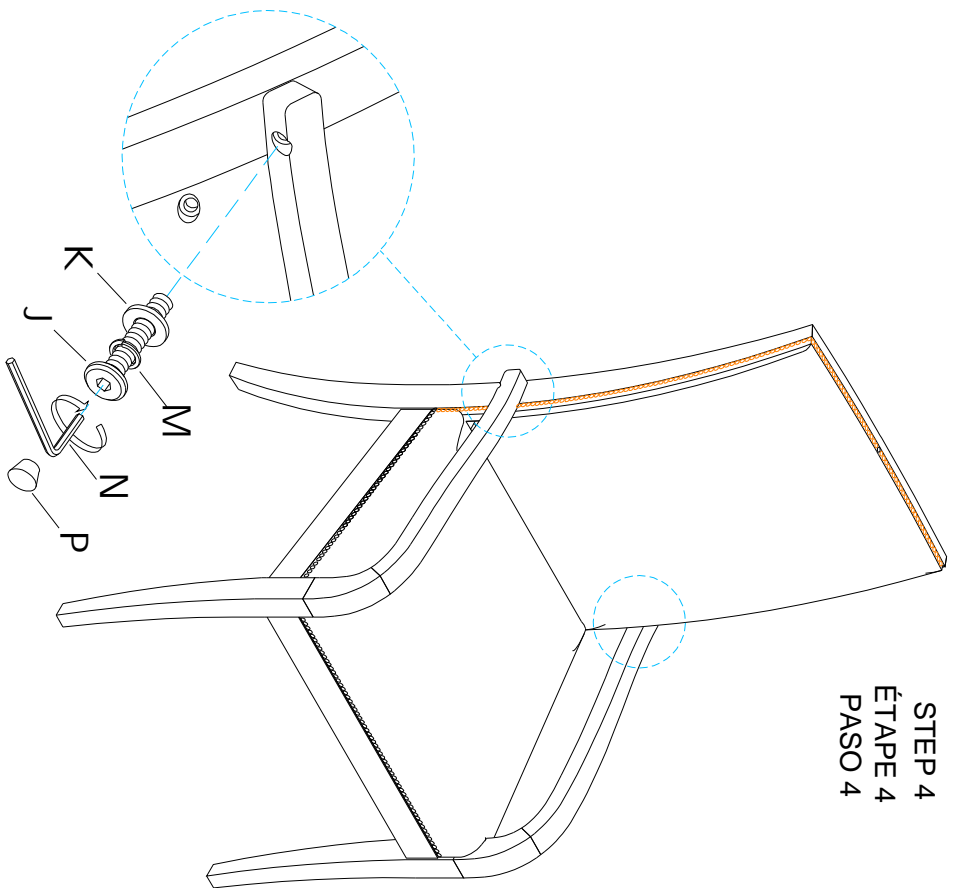


* Replaceable Part

**STEP 3
ÉTAPE 3
PASO 3**

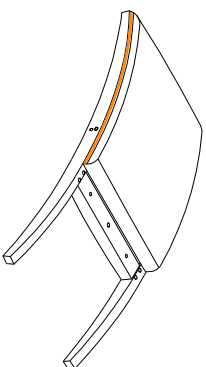
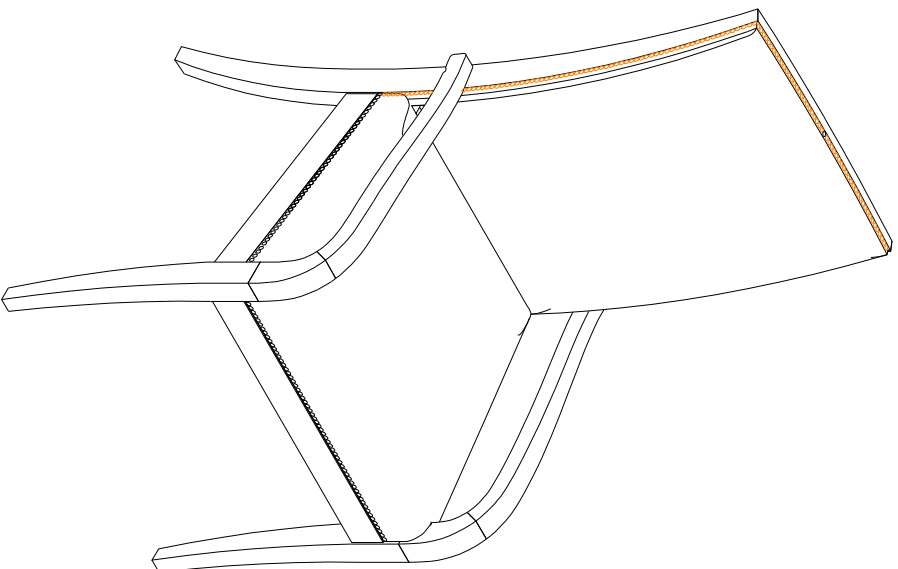


**STEP 4
ÉTAPE 4
PASO 4**

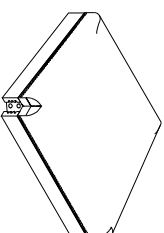


* Replaceable Part

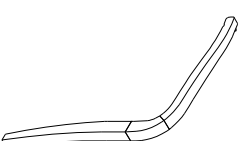
REPLACEABLE PART / PARTIE REMPLAÇABLE / PARTE REEMPLAZABLE
ITEM NO. / NO D'ARTICLE / ARTICULO NO. : P359271
DESCRIPTION/ LA DESCRIPTION / DESCRIPCIÓN : UPHOLSTERED ARM CHAIR/CHAISE A ACCOUDOIRS AVEC DOSSIER EN BOIS / SILLA DE BRAZOS CON RESPALDO DE MADERA



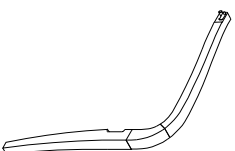
x1 RP359271-BACK- Chair Back
 Dossier de chaise
 Respaldo de silla



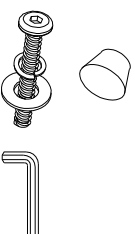
x1 RP359271-FRAME- Seat frame with cushion
 Siège avec coussin
 Cq/in de asiento con cuadro del asiento



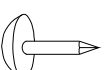
x1 RP359271-ARML-Left Arms
 Accoudoirs gauche
 Brazos izquierda



x1 RP359271-ARMR-Right Arm
 Accoudoirs droite
 Brazos derecha



x1 RP359-271-HWKIT- Hardware Kit
 Liste des pièces de quincaillerie
 Lista del kit de materiales



x4 RC-WH-NAIL - White Plastic Nail
 Clou en plastique
 Clavo de plástico

*** Replaceable Part**

Residential Use Only

Protect Your Wood or Laminate Flooring

* This statement applies to any floor without carpet.

If not careful, all furniture including upholstery and case pieces can scratch, scuff and even gouge floors. The recommendation is to have felt, rubber pads or area rugs under furniture on flooring without carpet.

Moving your furniture

Pushing and dragging furniture over floor without carpet can lead to scratches and scuffs. Have someone help when moving the larger pieces of furniture by lifting, try using a dolly or moving pads.

Felt and rubber pads

Applying furniture pads to the feet of furniture helps cushion contact points. Furniture pads can be found at local hardware stores. Felt pads slide easily across the floor, making them ideal for dining chairs and other pieces that move with use. Rubber pads will help furniture stay in place and are perfect for larger pieces, like sofas and loveseats.

Area rugs and rug pads

Using an are rug under furniture is another way to protect your floor from scratches and scuff marks. A rug pad under the area rug will provide extra cushion and added protection.

* *Reproachable Part*