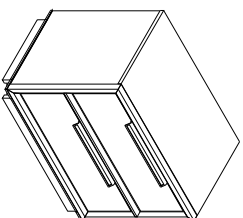


## PARTS LIST / LISTE DES PIÈCES / LISTA DE PIEZAS

ITEM NO. / NO D'ARTICLE/ ARTICULO NO. : P375140

DESCRIPTION/ LA DESCRIPTION /DESCRIPCIÓN: DRAWER NIGHTSTAND / TABLE DE CHEVET / MESA DE NOCHE

<b>⚠ WARNING</b>	 
<p>Children have died from furniture tipover. To reduce the risk of furniture tipover:</p> <ul style="list-style-type: none"> <li>• <b>NEVER</b> put a TV on this product.</li> <li>• <b>NEVER</b> allow children to stand, climb or hang on drawers, doors, or shelves.</li> <li>• <b>NEVER</b> open more than one drawer at a time.</li> <li>• Place heaviest items in the lowest drawers.</li> </ul> <p>This is a permanent label. Do not remove!</p>	



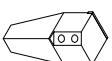
**A**

- x1 Nightstand
- x1 Table de chevet
- x1 Mesa de noche



**B**

- x2 Front leg \*
- x2 Patte avant
- x2 Pata delantera



**C**

- x1 Back leg (left) \*
- x1 Patte arrière (gauche)
- x1 Pata trasera (izquierda)



**D**

- x1 Back leg (right) \*
- x1 Patte arrière (droite)
- x1 Pata trasera (derecha)



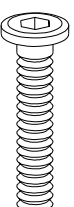
**E**

- x8 Flat Washer  $\phi 5/16$ "x19x2mm \*
- x8 Rondelle plate  $\phi 5/16$ "x19x2mm
- x8 Arandela plana  $\phi 5/16$ "x19x2mm



**F**

- x8 Lock washer  $\phi 5/16$ " \*
- x8 Rondelle de blocage  $\phi 5/16$ "
- x8 Arandela de Seguridad  $\phi 5/16$ "



**G**

- x8 Allen bolt  $\phi 5/16$ "x51mm \*
- x8 Vis à tête creuse hexagonale  $\phi 5/16$ "x51mm
- x8 Perno Allen  $\phi 5/16$ "x51mm



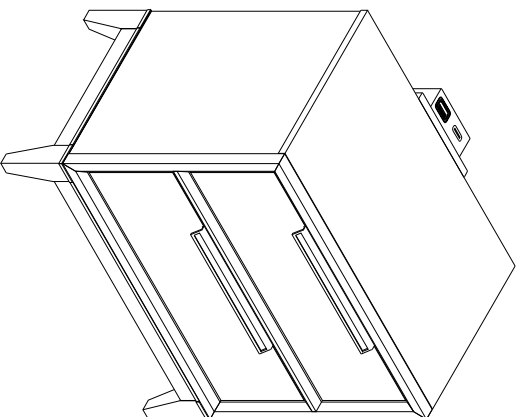
**H**

- x1 Allen Key 5mm \*
- x1 Clé hexagonale 5mm
- x1 Llave Allen 5mm



**I**

- x1 Furniture Tipping Restraint \*
- x1 Systeme antibasculement
- x1 Control para evitar vuelcos



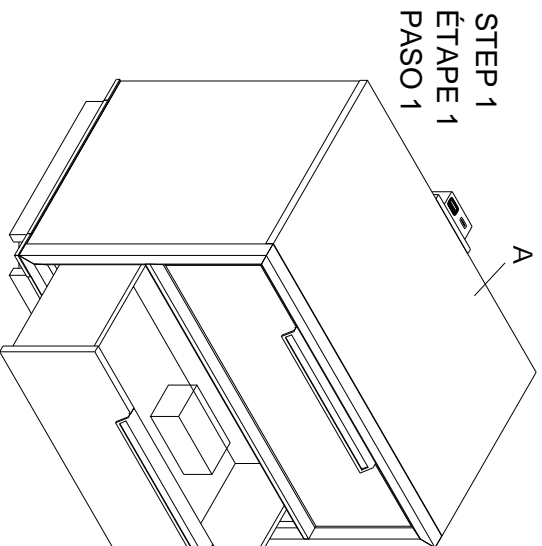
\* Replaceable Part

## ASSEMBLY INSTRUCTIONS/ NOTICE DE MONTAGE/ INSTRUCCIONES DE MONTAJE


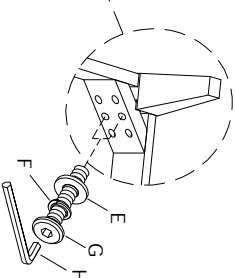
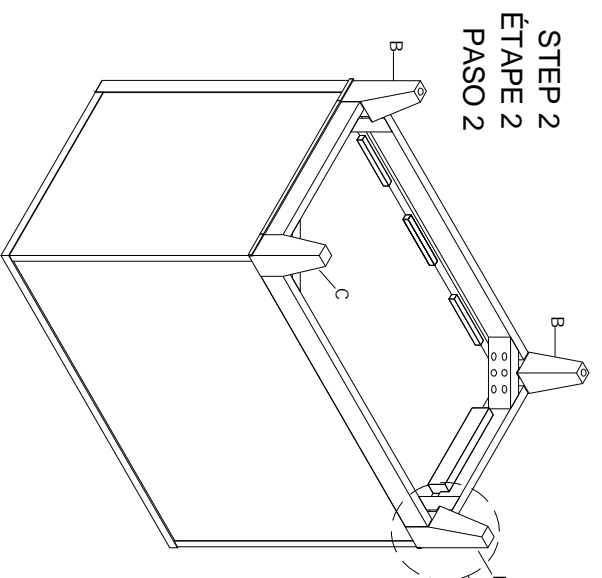
ITEM NO./ NO D'ARTICLE/ ARTICULO NO. : P375140

DESCRIPTION/ LA DESCRIPTION /DESCRIPCIÓN: DRAWER NIGHTSTAND / TABLE DE CHEVET / MESA DE NOCHE

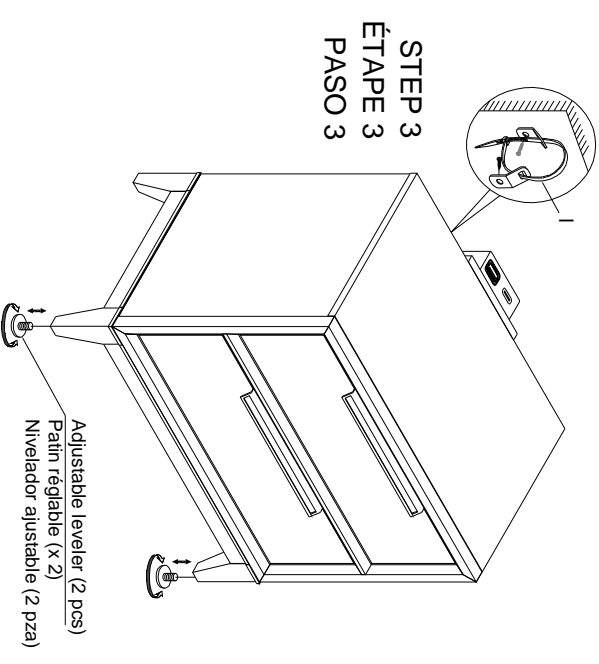
<b>⚠ WARNING</b>	
	<p>Children have died from furniture tipover. To reduce the risk of furniture tipover:</p> <ul style="list-style-type: none"> <li>• <b>NEVER</b> put a TV on this product.</li> <li>• <b>NEVER</b> allow children to stand, climb or hang on drawers, doors, or shelves.</li> <li>• <b>NEVER</b> open more than one drawer at a time.</li> <li>• Place heaviest items in the lowest drawers.</li> </ul> <p>This is a permanent label. Do not remove!</p>
	



Bun Foot Carton  
Boîte des pieds en forme  
Caja de las patas redondas

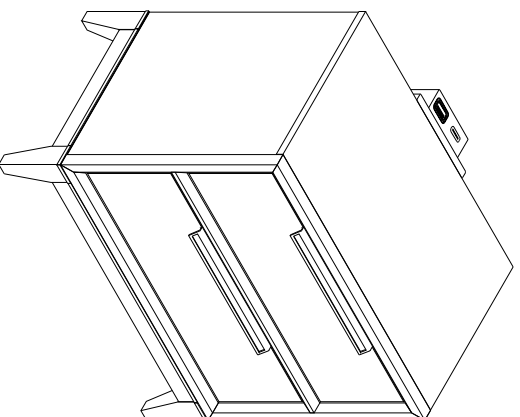



Furniture Tipping Restraint  
Système antibasculement  
Control para evitar vultos

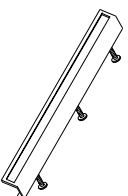


\* Replaceable Part

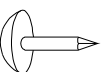
<b>⚠ WARNING</b>	
	<p>Children have died from furniture tipover. To reduce the risk of furniture tipover:</p> <ul style="list-style-type: none"> <li>• <b>NEVER</b> put a TV on this product.</li> <li>• <b>NEVER</b> allow children to stand, climb or hang on drawers, doors, or shelves.</li> <li>• <b>NEVER</b> open more than one drawer at a time.</li> <li>• Place heaviest items in the lowest drawers.</li> </ul> <p>This is a permanent label. Do not remove!</p>
	



x2 RP375140-FLEG-FRONT LEG \*  
 Jambes  
 Pernas



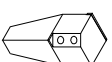
x2 RP375140-PULL - Pull with Screw \*  
 Poignée + vis  
 Tirador + Tornillo



x2 RC-WH-NAIL - White Plastic Nail \*  
 Clou en Plastique  
 Clavo de plástico



x1 RC-ANTI-TIP- Anti-tipping Restraint \*  
 Systeme antibasculement  
 Control para evitar vuelcos



x1 RP375140-BLEGL-BACK LEG-Left \*  
 Jambes  
 Pernas



x2 COMGLIDE-10-45-Drawer Glide \*  
 Troisil Glide  
 Deslizamiento del cajón



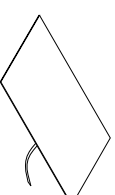
x1 RP375140-HWKIT-Hardware kit list \*  
 Liste des pieces de quincaillerie  
 Lista del kit de materiales



x2 RC-FG-WHITE-White Leveler \*  
 Patin réglable  
 Nivelador



x1 RP375140-BLEGR-BACK LEG-Right \*  
 Jambes  
 Pernas



x1 RP375140-FELT-Removable Felt \*  
 Removable Felt  
 Fautre Fieltro



x1 RP375140-USB-Usb Port \*  
 Cordon d'alimentation  
 Cordon eléctrico

\* Replaceable Part

## **Protect Your Wood or Laminate Flooring**

\* This statement applies to any floor without carpet.

If not careful, all furniture including upholstery and case pieces can scratch, scuff and even gouge floors. The recommendation is to have felt, rubber pads or area rugs under furniture on flooring without carpet.

### **Moving your furniture**

Pushing and dragging furniture over floor without carpet can lead to scratches and scuffs. Have someone help when moving the larger pieces of furniture by lifting, try using a dolly or moving pads.

### **Felt and rubber pads**

Applying furniture pads to the feet of furniture helps cushion contact points. Furniture pads can be found at local hardware stores. Felt pads slide easily across the floor, making them ideal for dining chairs and other pieces that move with use. Rubber pads will help furniture stay in place and are perfect for larger pieces, like sofas and loveseats.

### **Area rugs and rug pads**

Using an are rug under furniture is another way to protect your floor from scratches and scuff marks. A rug pad under the area rug will provide extra cushion and added protection.

\* *Replaceable Part*