



PARTS LIST / LISTE DES PIÈCES / LISTA DE PIEZA

ITEM / NO D'ARTICLE / ARTICULO.: S094-050

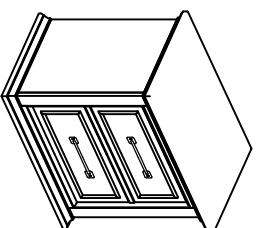
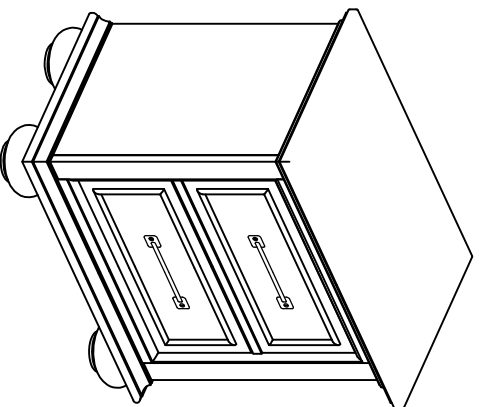
DESCRIPTION / DESCRIPCION : NIGHT STAND / TABLE DE CHEVET / MESA DE NOCHE

⚠ WARNING

Children have died from furniture tipover. To reduce the risk of furniture tipover:

- ALWAYS install tipover restraint provided.
- NEVER put a TV on this product.
- NEVER allow children to stand, climb or hang on drawers, doors, or shelves.
- NEVER open more than one drawer at a time.
- Place heaviest items in the lowest drawers.

*This is a permanent label.
Do not remove!*



A

x1 Night Stand
x1 Table De Chevet
x1 Mesa De Noche



B

x4 Bun Foot *
x4 Pieds en forme d'oligon
x4 Pataas Redondas

*** Replaceable Part**



ASSEMBLY INSTRUCTION / NOTICE DE MONTAGE / INSTRUCCIONES DE MONTAJE

ITEM / NO D'ARTICLE / ARTICULO.: S094-050

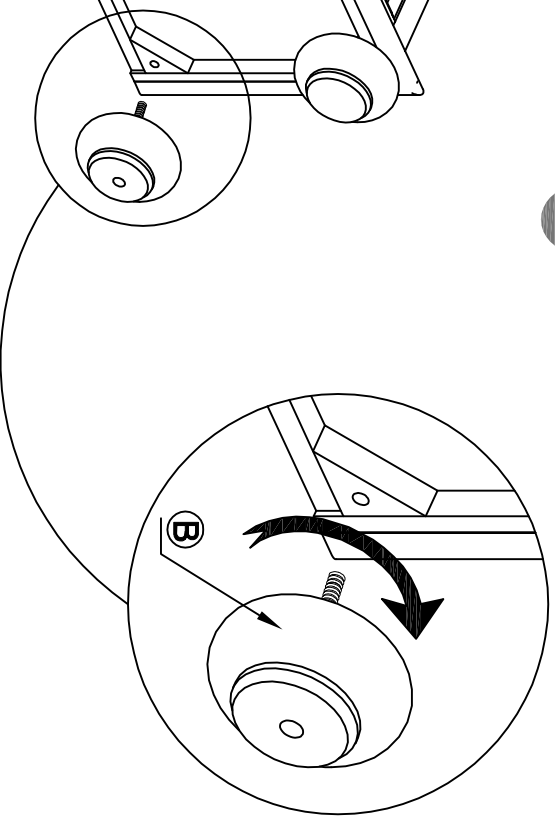
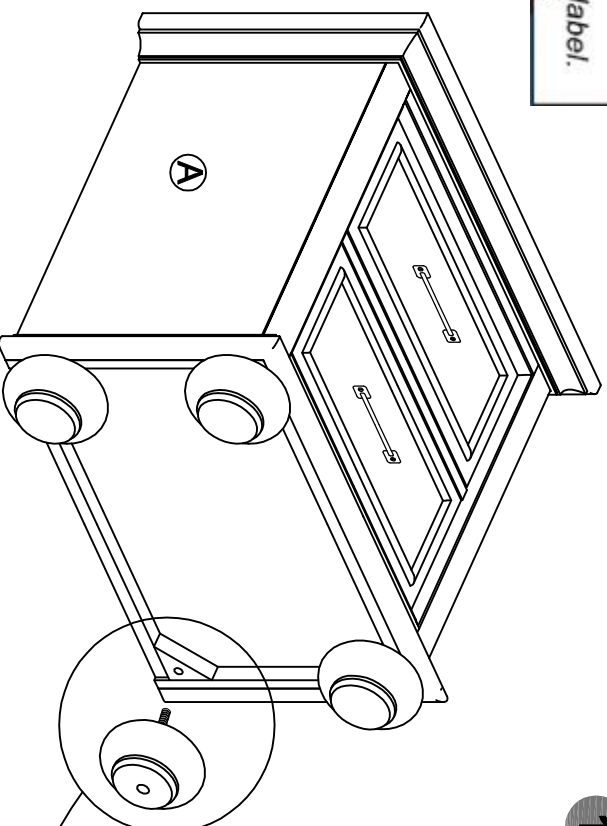
DESCRIPTION / DESCRIPCION : NIGHT STAND / TABLE DE CHEVET / MESA DE NOCHE

⚠ WARNING

Children have died from furniture tipover. To reduce the risk of furniture tipover:

- ALWAYS install tipover restraint provided.
- NEVER put a TV on this product.
- NEVER allow children to stand, climb or hang on drawers, doors, or shelves.
- NEVER open more than one drawer at a time.
- Place heaviest items in the lowest drawers.

*This is a permanent label.
Do not remove!*



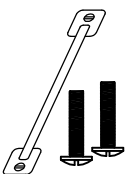
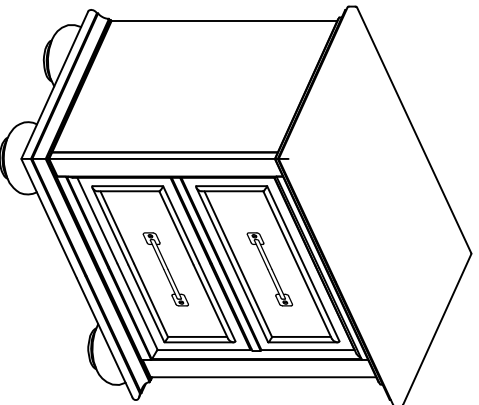
* Replaceable Part



REPLACEABLE PART / PARTIE REMPLACABLE / PARTE REEMPLAZABLE

ITEM / NO D'ARTICLE / ARTICULO.: S094-050
DESCRIPTION/ DESCRIPCION : NIGHT STAND / TABLE DE CHEVET / MESA DE NOCHE

⚠ WARNING	
	<p>Children have died from furniture tipover. To reduce the risk of furniture tipover:</p> <ul style="list-style-type: none"> • ALWAYS install tipover restraint provided. • NEVER put a TV on this product. • NEVER allow children to stand, climb or hang on drawers, doors, or shelves. • NEVER open more than one drawer at a time. • Place heaviest items in the lowest drawers. <p><i>This is a permanent label. Do not remove!</i></p>



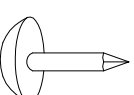
x 2 RS094-050-PULL - Pull + Screw *
Tira + vis
Tira + tornillo



x4 RS094-050-FOOT-BUN Foot *
Piede en forme deignon
Patas Redondas



x2 COMGLIDE:12-35 - Drawer Glide *
Drawer Glide
Deslizamiento del cajón



x16 RC-3R-NAIL - Plastic nail *
clou en plastique
clavo de plástico

*** Replaceable Part**

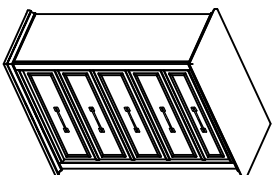
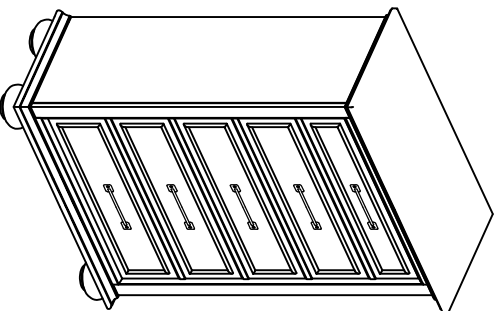


PARTS LIST / LISTE DES PIÈCES / LISTA DE PIEZA

ITEM / NO D'ARTICLE / ARTICULO.: S094-040

DESCRIPTION/ DESCRIPCION : DRAWER CHEST / COMMODE À TIROIRS / CÓMODA

⚠ WARNING	
	Children have died from furniture tipover. To reduce the risk of furniture tipover: <ul style="list-style-type: none">• ALWAYS install tipover restraint provided.• NEVER put a TV on this product.• NEVER allow children to stand, climb or hang on drawers, doors, or shelves.• NEVER open more than one drawer at a time.• Place heaviest items in the lowest drawers. <i>This is a permanent label. Do not remove!</i>
	



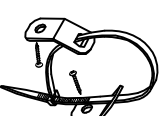
A

x1 Drawer Chest
x1 Commode à tiroirs
x1 cómoda



B

x4 Bum Foot *
x4 Pieds en forme d'ourson
x4 Pataas Redondas



C

x1 Furniture Tipping Restraint
x1 Système antiosculement
x1 Control para evitar vuelcos

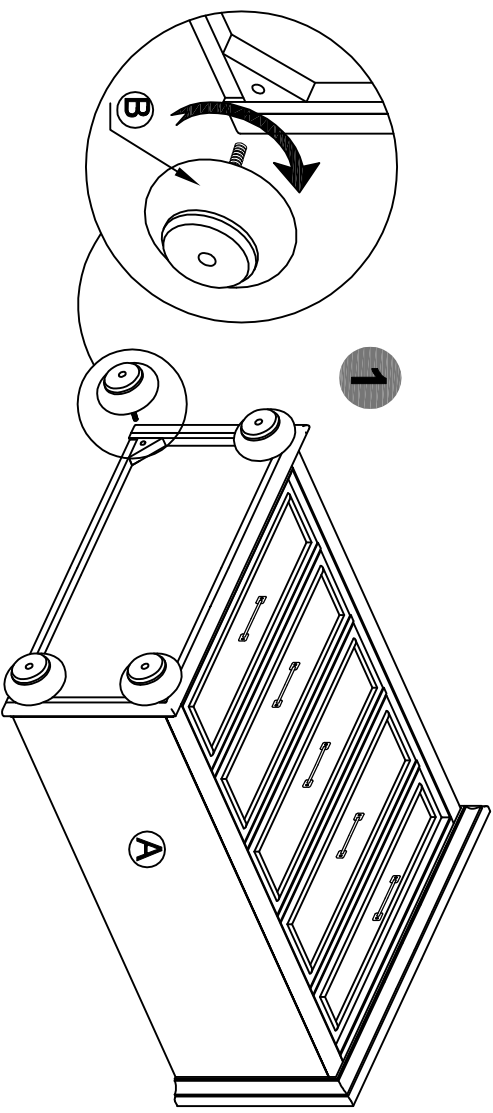
*** Replaceable Part**



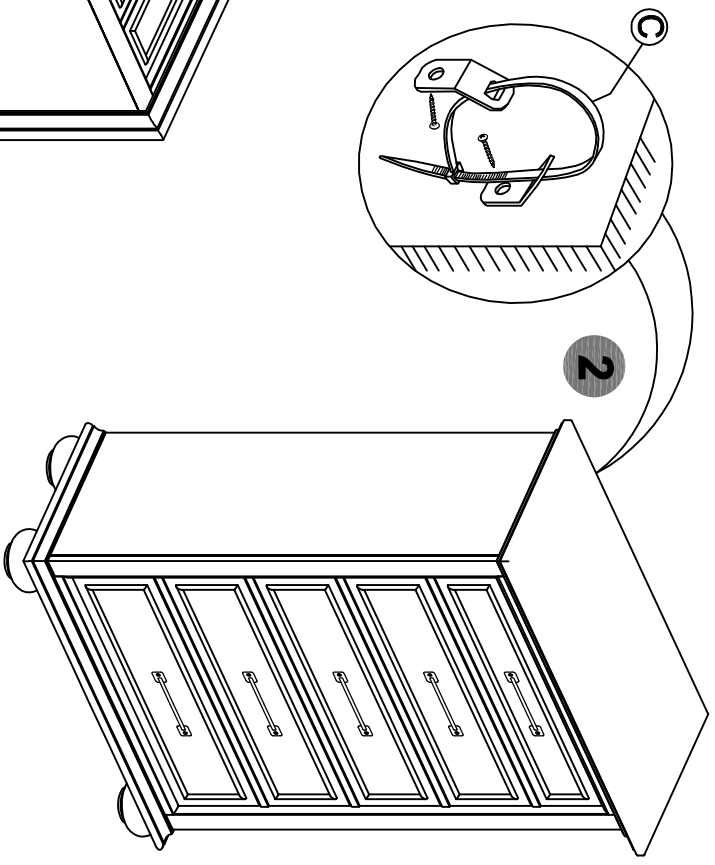
ASSEMBLY INSTRUCTION / NOTICE DE MONTAGE / INTRUCCIONES DE MONTAJE
ITEM / NO D'ARTICLE / ARTICULO.: S094-040
DESCRIPTION/ DESCRIPCION : DRAWER CHEST / COMMODE À TIROIRS / CÓMODA

⚠ WARNING

	<p>Children have died from furniture tipover. To reduce the risk of furniture tipover:</p> <ul style="list-style-type: none">• ALWAYS install tipover restraint provided.• NEVER put a TV on this product.• NEVER allow children to stand, climb or hang on drawers, doors, or shelves.• NEVER open more than one drawer at a time.• Place heaviest items in the lowest drawers. <p><i>This is a permanent label. Do not remove!</i></p>
	



Furniture Tipping Restraint
Système antibasculement
Control para evitar vuelcos



* Replaceable Part



REPLACEABLE PART / PARTIE REMPLACABLE / PARTE REEMPLAZABLE

ITEM / NO D'ARTICLE / ARTICULO.: S094-040

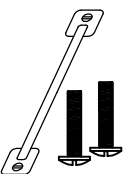
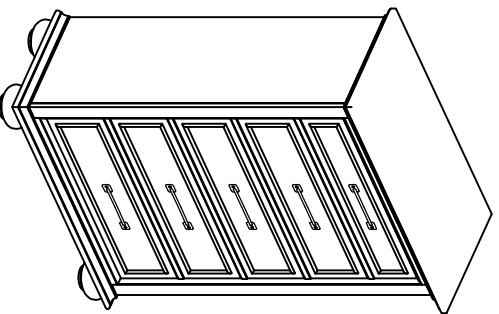
DESCRIPTION/ DESCRIPCION : DRAWER CHEST / COMMODE À TIROIRS / CÓMODA

⚠ WARNING

Children have died from furniture tipover. To reduce the risk of furniture tipover:

- ALWAYS install tipover restraint provided.
- NEVER put a TV on this product.
- NEVER allow children to stand, climb or hang on drawers, doors, or shelves.
- NEVER open more than one drawer at a time.
- Place heaviest items in the lowest drawers.

*This is a permanent label.
Do not remove!*



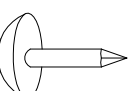
x 5 RS094-040-PULL - Pull + Screw *
Tirer + vis
Tira + tornillo



x4 RS094-040-FOOT-Bun Foot *
Pieds en forme deignon
Patas Redondas



x5 COMGLIDE12-35 - Drawer Glide *
Drawer Glide
Deslizamiento del cajón



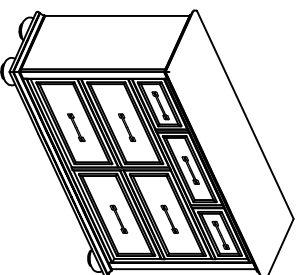
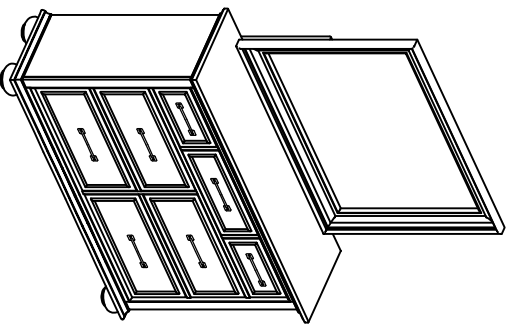
x16 RC-BR-NAIL - Plastic nail *
clou en plastique
clavo de plástico

*** Replaceable Part**



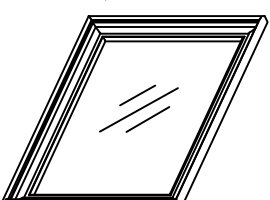
PARTS LIST / LISTE DES PIÈCES / LISTA DE PIEZA
 ITEM / NO D'ARTICLE / ARTICULO.: S094-030
 DESCRIPTION / DESCRIPCION : LANDSCAPE MIRROR / MIROIR HORIZONTAL / ESPEJO HORIZONTAL

⚠ WARNING	
	<p>Children have died from furniture tipover. To reduce the risk of furniture tipover:</p> <ul style="list-style-type: none"> • ALWAYS install tipover restraint provided. • NEVER put a TV on this product. • NEVER allow children to stand, climb or hang on drawers, doors, or shelves. • NEVER open more than one drawer at a time. • Place heaviest items in the lowest drawers. <p><i>This is a permanent label. Do not remove!</i></p>



A

- x1 Dresser
- x1 Commode
- x1 Toador



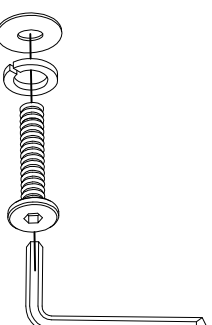
B

- x1 Mirror
- x1 Mirror
- x1 Espejo



C

- x1 Mirror Support
- x1 Supporte de miroir
- x1 Soporte del espejo



D

- x8 Hardware kit list
- x8 liste des pièces de quincailleries
- x8 lista del kit de materiales

*** Replaceable Part**



ASSEMBLY INSTRUCTION / NOTICE DE MONTAGE / INSTRUCCIONES DE MONTAJE

ITEM / NO D'ARTICLE / ARTICULO.: S094-030

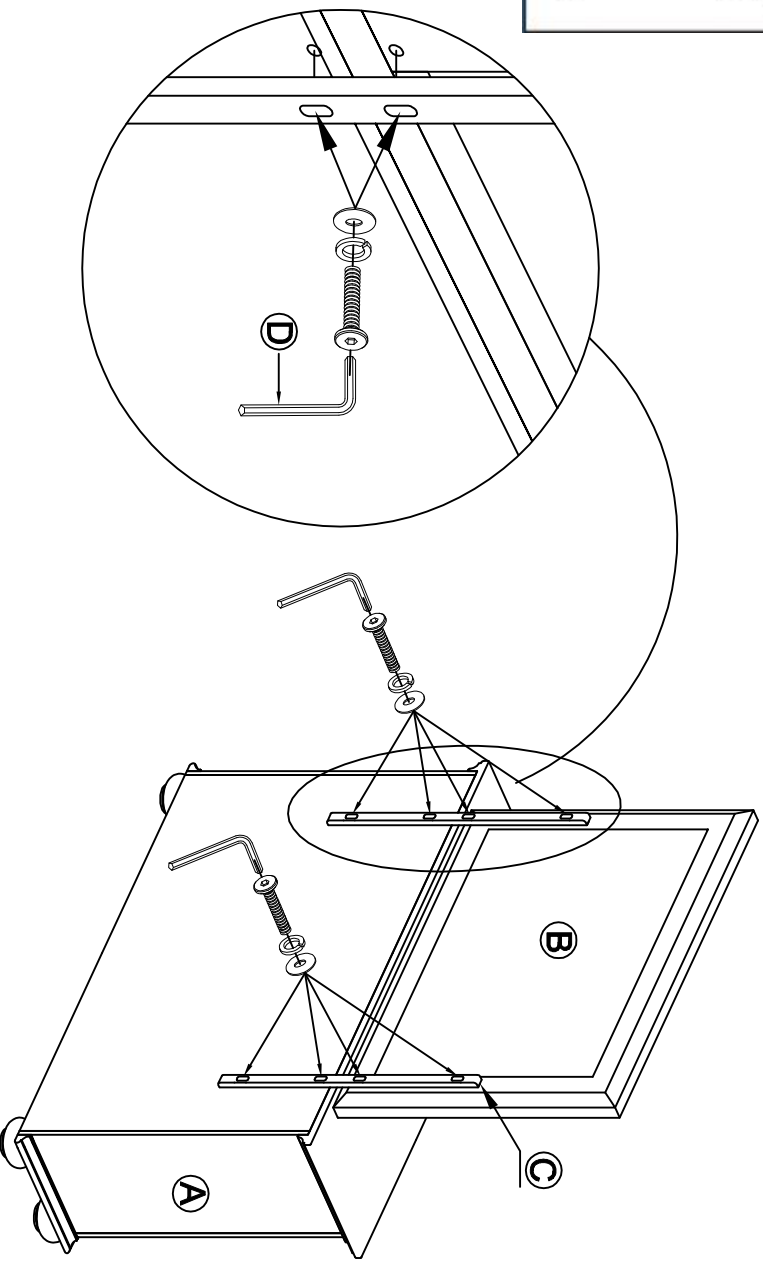
DESCRIPTION / DESCRIPCION : LANDSCAPE MIRROR / MIROIR HORIZONTAL / ESPEJO HORIZONTAL

⚠ WARNING

Children have died from furniture tipover. To reduce the risk of furniture tipover:

- ALWAYS install tipover restraint provided.
- NEVER put a TV on this product.
- NEVER allow children to stand, climb or hang on drawers, doors, or shelves.
- NEVER open more than one drawer at a time.
- Place heaviest items in the lowest drawers.

*This is a permanent label.
Do not remove!*



* Replaceable Part



REPLACEABLE PART / PARTIE REMPLACABLE / PARTE REEMPLAZABLE

ITEM / NO D'ARTICLE / ARTICULO.: S094-030

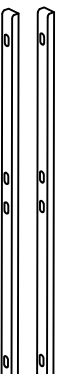
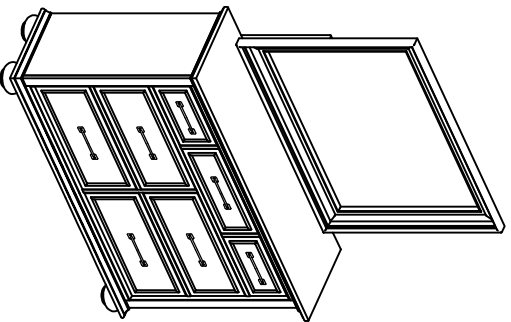
DESCRIPTION/ DESCRIPCION : LANDSCAPE MIRROR / MIROIR HORIZONTAL / ESPEJO HORIZONTAL

⚠ WARNING

Children have died from furniture tipover. To reduce the risk of furniture tipover:

- ALWAYS install tipover restraint provided.
- NEVER put a TV on this product.
- NEVER allow children to stand, climb or hang on drawers, doors, or shelves.
- NEVER open more than one drawer at a time.
- Place heaviest items in the lowest drawers.

*This is a permanent label.
Do not remove!*



x2 RS094-030-MISU- Mirror Support*
Supporte de miroir
Soporte del espejo



x1 RS094-030-HWKIT-Hardware kit list *
Liste des pièces de quincailleries
Lista del kit de materiales

* Replaceable Part



PARTS LIST / LISTE DES PIÈCES / LISTA DE PIEZA

ITEM / NO D'ARTICLE / ARTICULO.: S094-010

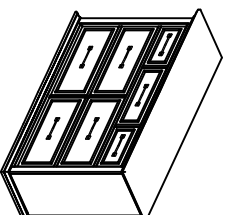
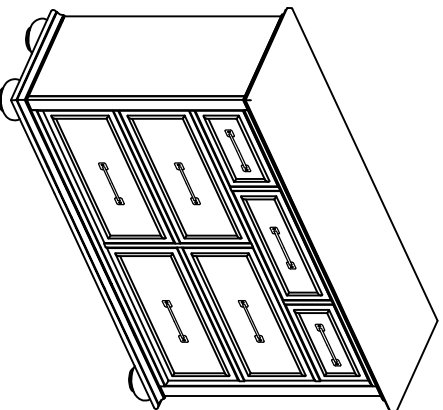
DESCRIPTION/ DESCRIPCION : DRAWER DRESSER / COMMODE À TIROIRS / TOCADOR CON CAJONES

⚠ WARNING

Children have died from furniture tipover. To reduce the risk of furniture tipover:

- ALWAYS install tipover restraint provided.
- NEVER put a TV on this product.
- NEVER allow children to stand, climb or hang on drawers, doors, or shelves.
- NEVER open more than one drawer at a time.
- Place heaviest items in the lowest drawers.

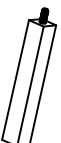
This is a permanent label. Do not remove!



x1 Night Stand
x1 Table De Chevet
x1 Mesa De Noche



x4 Bun Foot *
x4 Pieds en forme d'ougron
x4 Pataas Redondas



x1 Support Legs *
x1 Pattes de support
x1 Pataas de soporte



x1 Furniture Tipping Restraint
x1 Système antibasculement
x1 Control para evitar vuelcos



* Replacable Part



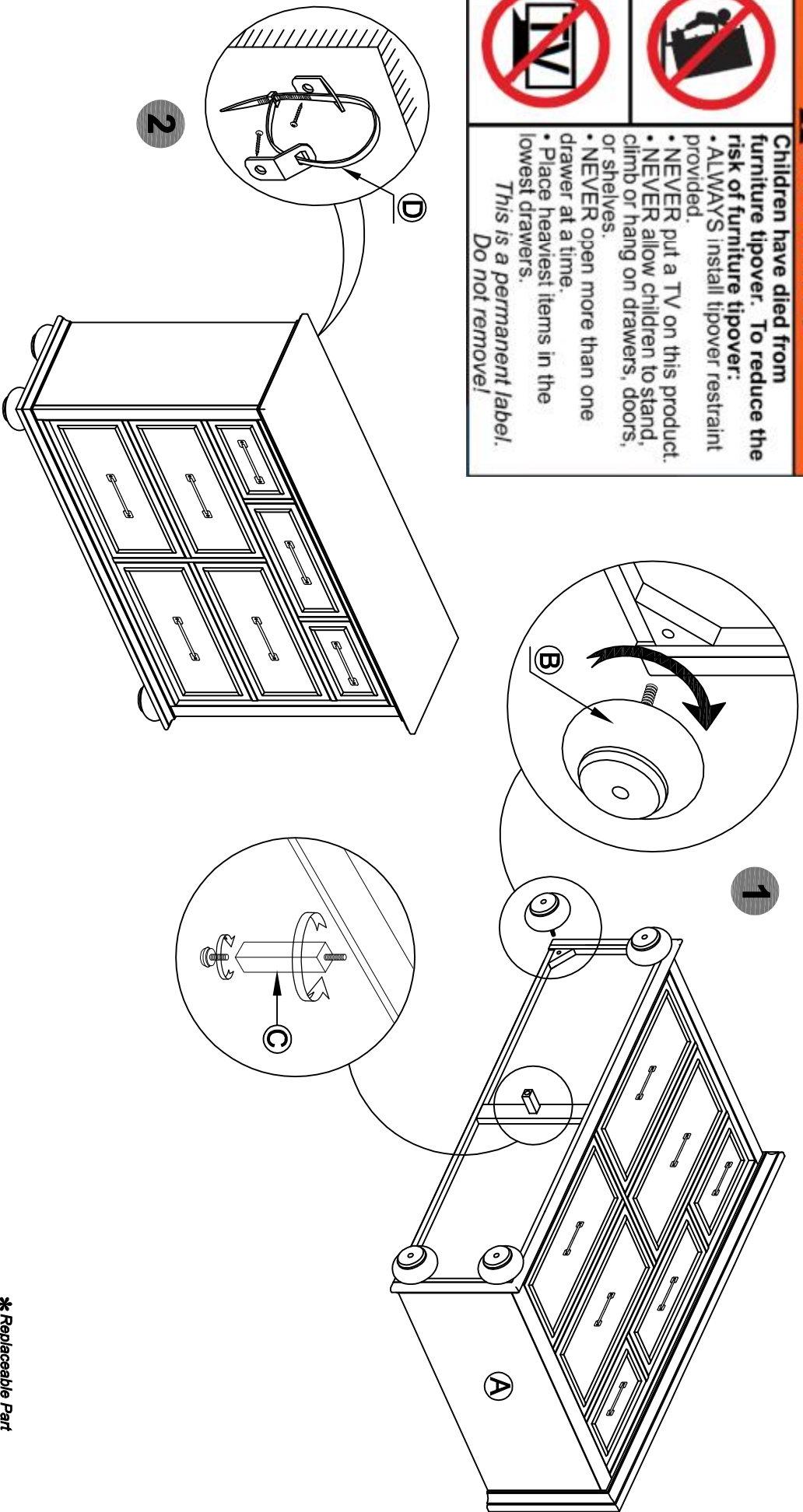
ASSEMBLY INSTRUCTION / NOTICE DE MONTAGE / INSTRUCCIONES DE MONTAJE

ITEM / NO D'ARTICLE / ARTICULO.: S094-010

DESCRIPTION/ DESCRIPCION : DRAWER DRESSER / COMMODE À TIROIRS / TOCADOR CON CAJONES

⚠ WARNING

	<p>Children have died from furniture tipover. To reduce the risk of furniture tipover:</p> <ul style="list-style-type: none">• ALWAYS install tipover restraint provided.• NEVER put a TV on this product.• NEVER allow children to stand, climb or hang on drawers, doors, or shelves.• NEVER open more than one drawer at a time.• Place heaviest items in the lowest drawers. <p><i>This is a permanent label. Do not remove!</i></p>
	



* Replaceable Part



REPLACEABLE PART / PARTIE REMPLACABLE / PARTE REEMPLAZABLE

ITEM / NO D'ARTICLE / ARTICULO.: S094-010

DESCRIPTION/ DESCRIPCION : DRAWER DRESSER / COMMODE À TIROIRS / TOCADOR CON CAJONES

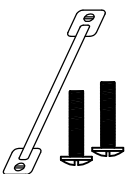
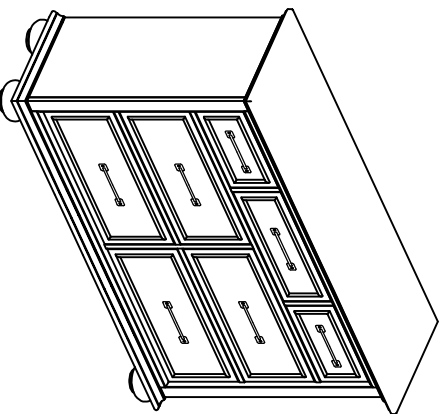
⚠ WARNING



Children have died from furniture tipover. To reduce the risk of furniture tipover:

- ALWAYS install tipover restraint provided.
- NEVER put a TV on this product.
- NEVER allow children to stand, climb or hang on drawers, doors, or shelves.
- NEVER open more than one drawer at a time.
- Place heaviest items in the lowest drawers.

*This is a permanent label.
Do not remove!*



x7 RS094-010-PULL - Pull + Screw
Tirer + vis
Tira + tornillo



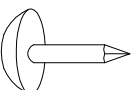
x7 COMGLIDE12-35 - Drawer Glide
Drawer Glide
Deslizamiento del cajón



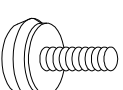
x4 RS094-010-FOOT-Roun Foot
Pieds en forme de gazon
Patas Redondas



x1 RS094-010-CELEG - Center Leg
Patas centrales
patas centrales



x16 RC-BR-NAIL - Plastic nail
clou en plastique
clavo de plástico

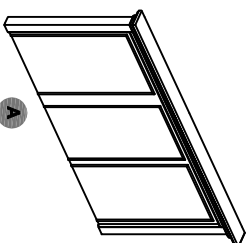
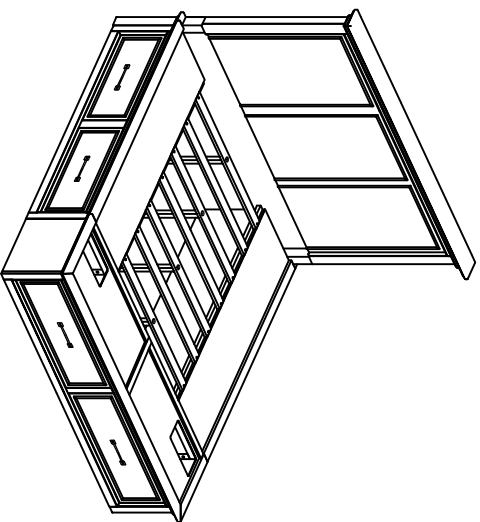


x1 RC-FG-BLACK - Black leveler
Patin re glabie
Nivelador

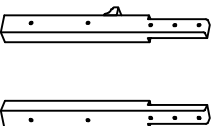
*** Replaceable Part**



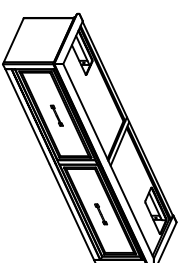
PARTS LIST / LISTE DES PIÈCES / LISTA DE PIEZA
ITEM / NO D'ARTICLE / ARTICULO.: S094-250/258/417
DESCRIPTION / DESCRIPCION : QUEEN STORAGE BED / GRAND LIT AVEC RANGEMENT / CAMA TAMAÑO QUEEN CON CAJONES



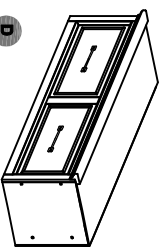
A
 X1 Headboard panel
 X1 Tête de lit
 X1 Cabeceira



B
 X1 Headboard Legs *
 (Left & Right)
 X1 Pattes de la tête de lit
 (gauche et droite)
 X1 Patas de cabeceira
 (izquierda y derecha)



C
 X1 Storage Footboard
 X1 Pie de cama con cajones
 X1 Pied de lit simple avec rangement



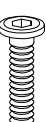
D
 X2 Storage side rail
 X2 Traverse de lit avec rangement
 X2 Travesaño lateral decama con almacenamiento



E
 X1 Slat roll *
 X1 Rouleau de lattes
 X1 Marco de listones



F
 X4 Support Legs *
 X4 Pattes de support
 X4 Patas de soporte



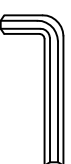
G
 X6 Allen bolt Ø5/16 * 2" *
 X6 Vis à tête creuse hexagonale Ø5/16 * 2"
 X6 Perno Allen Ø5/16 * 2"



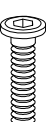
H
 X8 Lock washer Ø5/16 *
 X8 Rondelle de blocage Ø5/16
 X8 Arandela de Seguridad Ø5/16



I
 X6 Flat washer Ø5/16 *
 X6 Rondelle plate Ø5/16
 X6 Arandela plana Ø5/16



J
 X1 Allen key M4 *
 X1 Clef hexagonale
 X1 Llave Allen



K
 X4 Allen bolt Ø1/4"3" *
 X4 Vis à tête creuse hexagonale Ø1/4"3"
 X4 Perno Allen Ø1/4"3"



L
 X8 Allen bolt Ø1/4"1-1/2" *
 X8 Vis à tête creuse hexagonale Ø1/4"1-1/2"
 X8 Perno Allen Ø1/4"1-1/2"



M
 X12 Lock washer Ø1/4 *
 X12 Rondelle de blocage Ø1/4
 X12 Arandela de Seguridad Ø1/4



N
 X12 Flat washer Ø1/4"19*2mm *
 X12 Rondelle plate Ø1/4"19*2mm
 X12 Arandela plana Ø1/4"19*2mm

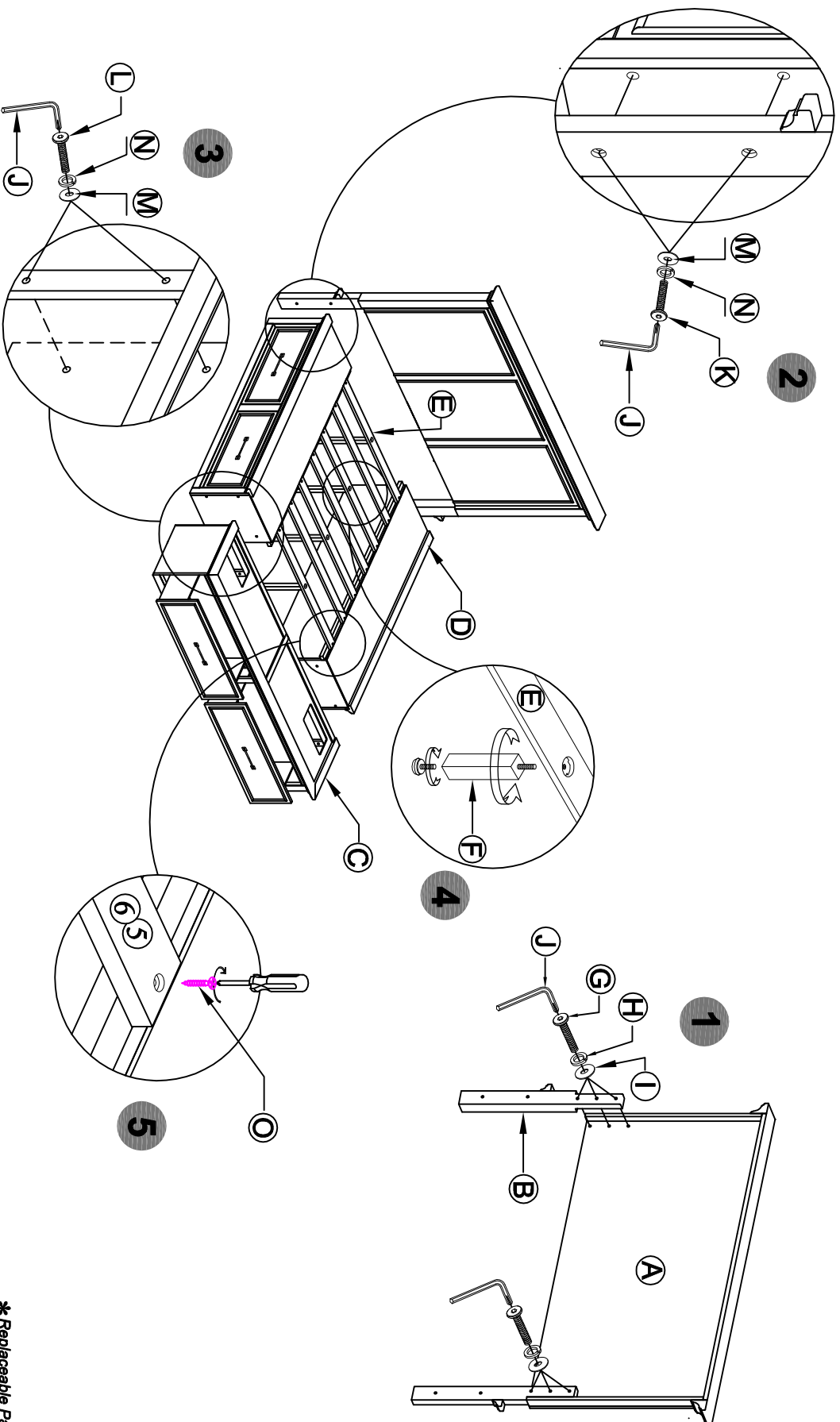


O
 X14 Wood Screw #8"1" *
 X14 Vis à bois
 X14 Tornillo para madera

*** Replaceable Part**



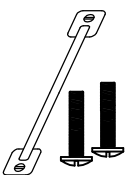
ASSEMBLY INSTRUCTION / NOTICE DE MONTAGE / INSTRUCCIONES DE MONTAJE
ITEM / NO PARTICLE / ARTICULO : S094-250/258/417
DESCRIPTION / DESCRIPCION : QUEEN STORAGE BED / GRAND LIT AVEC RANGEMENT / CAMA TAMAÑO QUEEN CON CAJONES



* Replacable Part



REPLACEABLE PART / PARTIE REMPLACABLE / PARTE REEMPLAZABLE
ITEM / NO DARTICLE / ARTICULO : S094-250/258/417
DESCRIPTION / DESCRIPCION : QUEEN STORAGE BED / GRAND LIT AVEC RANGEMENT / CAMA TAMAÑO QUEEN CON CAJONES



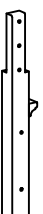
x 6 RS094-258-PULL - Pull + Screw *
 Tirer + vis
 Tira + tornillo



x6 COMGLIDE14-45 - Drawer Glide *
 Drawer Glide
 Deslizamiento del cajón



x1 RS094-250-LEGR-Right Leg *
 Patte de droite
 pata derecha



x1 RS094-250-LEGL-Left Leg *
 Patte de gauche
 pata izquierda



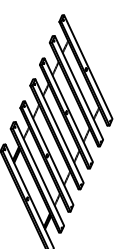
x1 RS094-250 -HWKIT-Hardware kit list *
 Liste des pièces de quincailleries
 Lista del kit de materiales



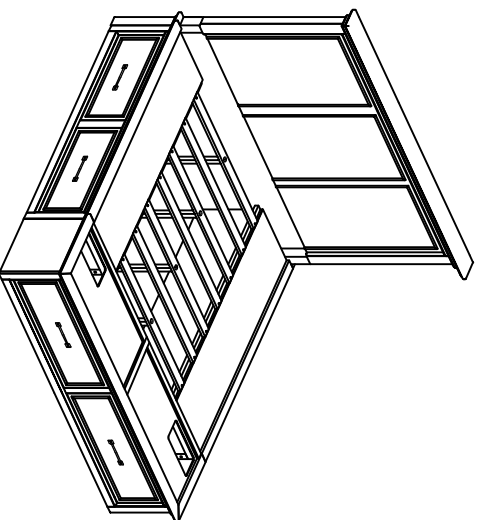
x4 RS094-258-SUL EG - Center Leg *
 Pattes centrales
 patas centrales



x14 RS094-258-SCREW-Wood Screw *
 Vis à bois
 Tornillo para madera



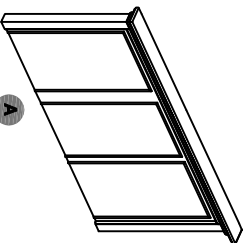
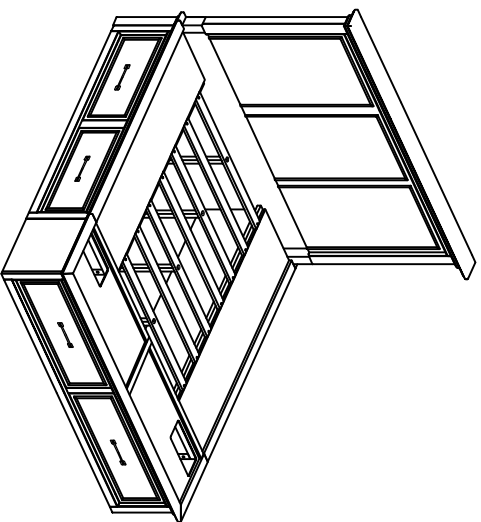
x1 RS094-258-SLAT-Slat *
 Lattes
 Listones



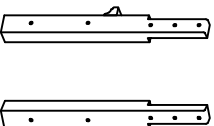
*** Replaceable Part**



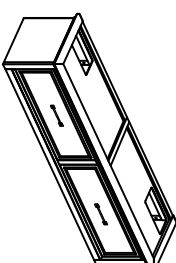
PARTS LIST / LISTE DES PIÈCES / LISTA DE PIEZA
ITEM / NO D'ARTICLE / ARTICULO.: S094-270/278/417
DESCRIPTION / DESCRIPCION : KING STORAGE BED / TRÈS GRAND LIT AVEC RANGEMENT / CAMA TAMAÑO KING CON CAJONES



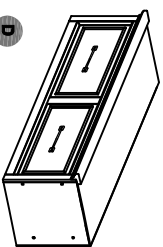
A
 x1 Headboard panel
 x1 Tête de lit
 x1 Cabecera



B
 x1 Headboard Legs *
 (Left & Right)
 x1 Pattes de la tête de lit
 (gauche et droite)
 x1 Patas de cabecera
 (izquierda y derecha)



G
 x1 Storage Footboard
 x1 Pie de cama con cajones
 x1 Pied de lit simple avec rangement



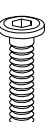
D
 x2 Storage side rail
 x2 Traverse de lit avec rangement
 x2 Travesaño lateral decama con almacenamiento



E
 x1 Slat roll *
 x1 Rouleau de lattes
 x1 Marco de listones



F
 x4 Support Legs *
 x4 Pattes de support
 x4 Patas de soporte



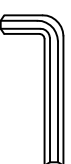
K
 x6 Allen bolt Ø5/16 * 2" *
 x6 Vis à tête creuse hexagonale Ø5/16 * 2"
 x6 Perno Allen Ø5/16 * 2"



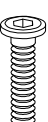
H
 x8 Lock washer Ø5/16 *
 x8 Rondelle de blocage Ø5/16
 x8 Arandela de Seguridad Ø5/16



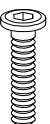
I
 x6 Flat washer Ø5/16 *
 x6 Rondelle plate Ø5/16
 x6 Arandela plana Ø5/16



J
 x1 Allen key M4 *
 x1 Clé hexagonale
 x1 Llave Allen



O
 x4 Allen bolt Ø1/4"3" *
 x4 Vis à tête creuse hexagonale Ø1/4"3"
 x4 Perno Allen Ø1/4"3"



L
 x8 Allen bolt Ø1/4"1-1/2" *
 x8 Vis à tête creuse hexagonale Ø1/4"1-1/2"
 x8 Perno Allen Ø1/4"1-1/2"



M
 x12 Lock washer Ø1/4 *
 x12 Rondelle de blocage Ø1/4
 x12 Arandela de Seguridad Ø1/4



N
 x12 Flat washer Ø1/4"19*2mm *
 x12 Rondelle plate Ø1/4"19*2mm
 x12 Arandela plana Ø1/4"19*2mm

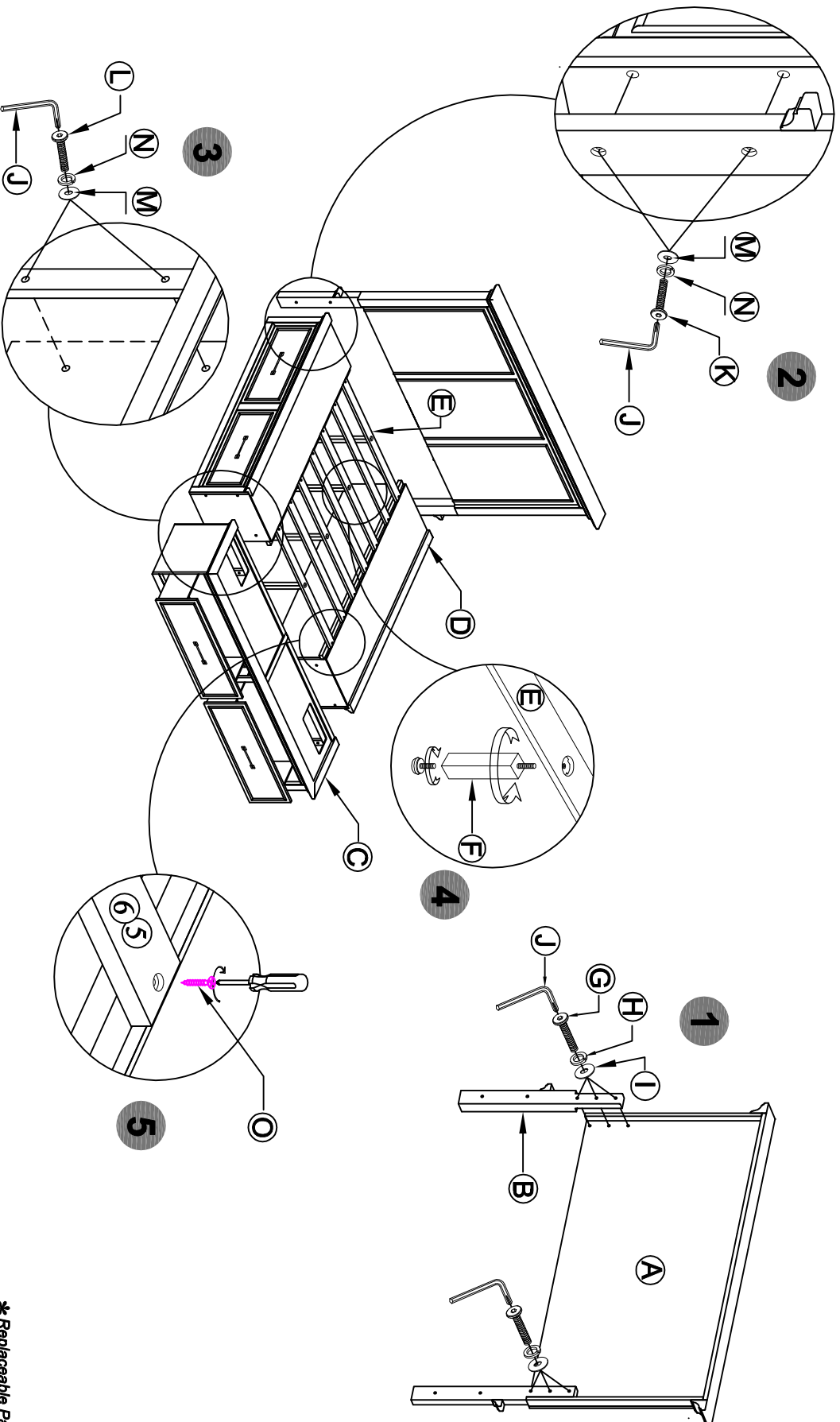


O
 x14 Wood Screw #8*1" *
 x14 Vis à bois
 x14 Tornillo para madera

* Replaceable Part



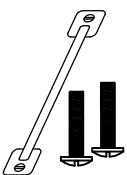
ASSEMBLY INSTRUCTION / NOTICE DE MONTAGE / INTRUCCIONES DE MONTAJE
ITEM / NO PARTICLE / ARTICULO.: S094-270/278/417
DESCRIPTION / DESCRIPCION : KING STORAGE BED / TRÈS GRAND LIT AVEC RANGEMENT / CAMA TAMAÑO KING CON CAJONES



* Replaceable Part



REPLACEABLE PART / PARTIE REMPLACABLE / PARTE REEMPLAZABLE
ITEM / NO D'ARTICLE / ARTICULO : S094-270/278/417
DESCRIPTION / DESCRIPCION : KING STORAGE BED / TRÈS GRAND LIT AVEC RANGEMENT / CAMA TAMAÑO KING CON CAJONES



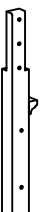
x 6 RS094-258-PULL - Pull + Screw *
 Tirer + vis
 Tira + tornillo



x6 COMGLIDE1445 - Drawer Glide *
 Drawer Glide
 Deslizamiento del cajón



x1 RS094-250-LEGR-Right Leg *
 Patte de droite
 pata derecha



x1 RS094-250-LEGL-Left Leg *
 Patte de gauche
 pata izquierda



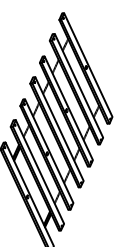
x1 RS094-250-HWKIT- Hardware kit list
 Liste des pièces de quincailleries
 Lista del kit de materiales



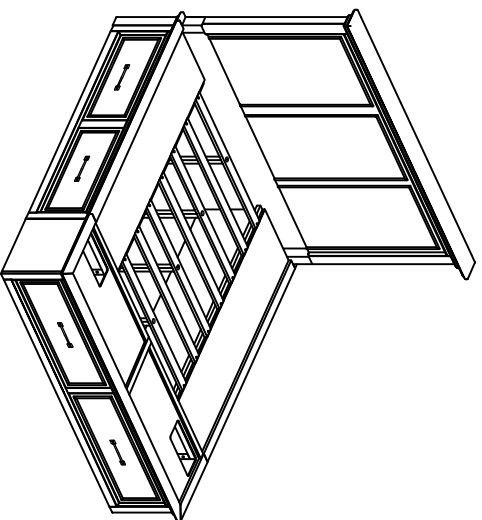
x4 RS094-258-SUL EG - Center Leg *
 Patte centrale
 patas centrales



x14 RS094-258-SCREW-Wood Screw *
 Vis à bois
 Tornillo para madera



x1 RS094-258-SLAT-Slat *
 Lattes
 Listones



*** Replaceable Part**